



PCORE
ELECTRIC

KV CLASS 34.5 kV | **BIL** 200 kV | **Uy** 22 kV

CURRENT RATING

1200A BOTTOM CONNECTION

DWG.	CATALOG NUMBER	GLAZE COLOR
SD	PRC200C1200C	BROWN
SD	PRC200F1200C	LT. GRAY

TITLE

PRC BUSHING
OIL-FREE

DATE	REV. DATE
9-28-17	

MAXIMUM ALTITUDE	10000 ft [3000 m]
-------------------------	-------------------

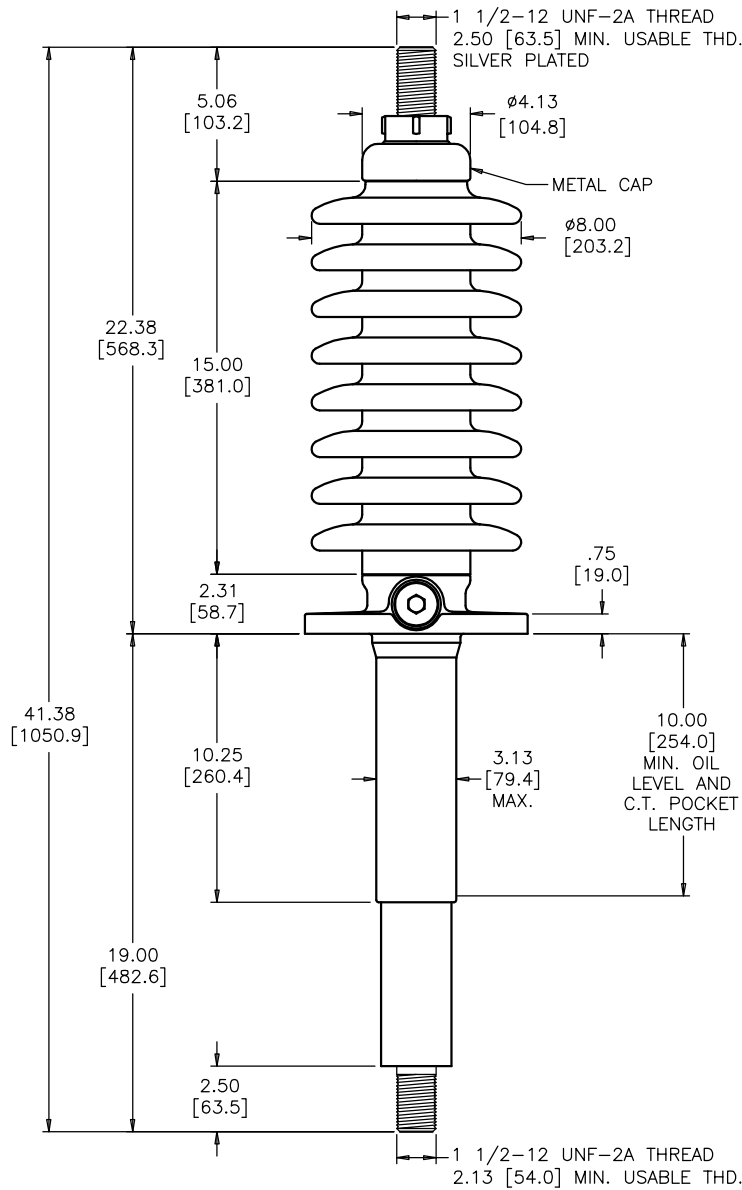
NET WEIGHT	76 lb [34 kg]
-------------------	---------------

ANGLE OF INCLINATION FROM THE VERTICAL	0° TO 90°
---	-----------

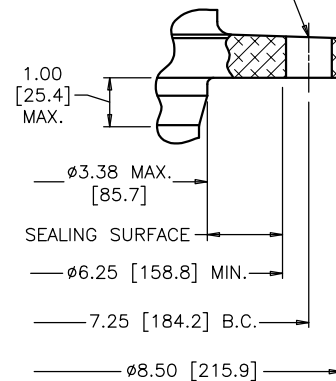
MIN. CREEP	41.00 [1041.4]	MIN. STRIKE	16.00 [406.4]
-------------------	----------------	--------------------	---------------

CREEP/L-G	2.06 [52.3]	STD.	IEEE C57.19.00/01
------------------	-------------	-------------	-------------------

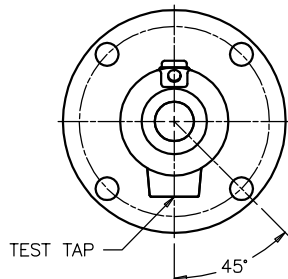
REF B-89312



4 HOLES φ.88 [22.2]
EQUALLY SPACED



MOUNTING FLANGE DETAIL



**FLANGE ALIGNMENT DIAGRAM
TOP VIEW**

DIMENSIONS IN INCHES [MILLIMETERS]

REVISION

SCALE 1/5

NOTE TO PURCHASER:
ALL SALES OF PCORE PRODUCTS ARE SUBJECT
TO OUR STANDARD TERMS AND CONDITIONS
AND THE LIMITED WARRANTIES THEREUNDER