



**PCORE**  
ELECTRIC

kV CLASS 46 kV BIL 250 kV Uy 29 kV

CURRENT RATING

400 AMP DRAW LEAD CONNECTION

DWG. CATALOG NUMBER GLAZE COLOR

SD PRC250C0400B BROWN

SD PRC250F0400B LT. GRAY

DATE 7-12-16 REV. DATE 8-23-16

MAXIMUM ALTITUDE 10000 ft [3000 m]

NET WEIGHT 83 lb [38 kg]

ANGLE OF INCLINATION FROM THE VERTICAL 0° TO 90°

MIN. CREEP 49.00 [1244.6] MIN. STRIKE 20.00 [508.0]

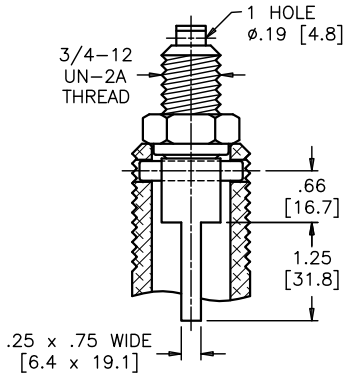
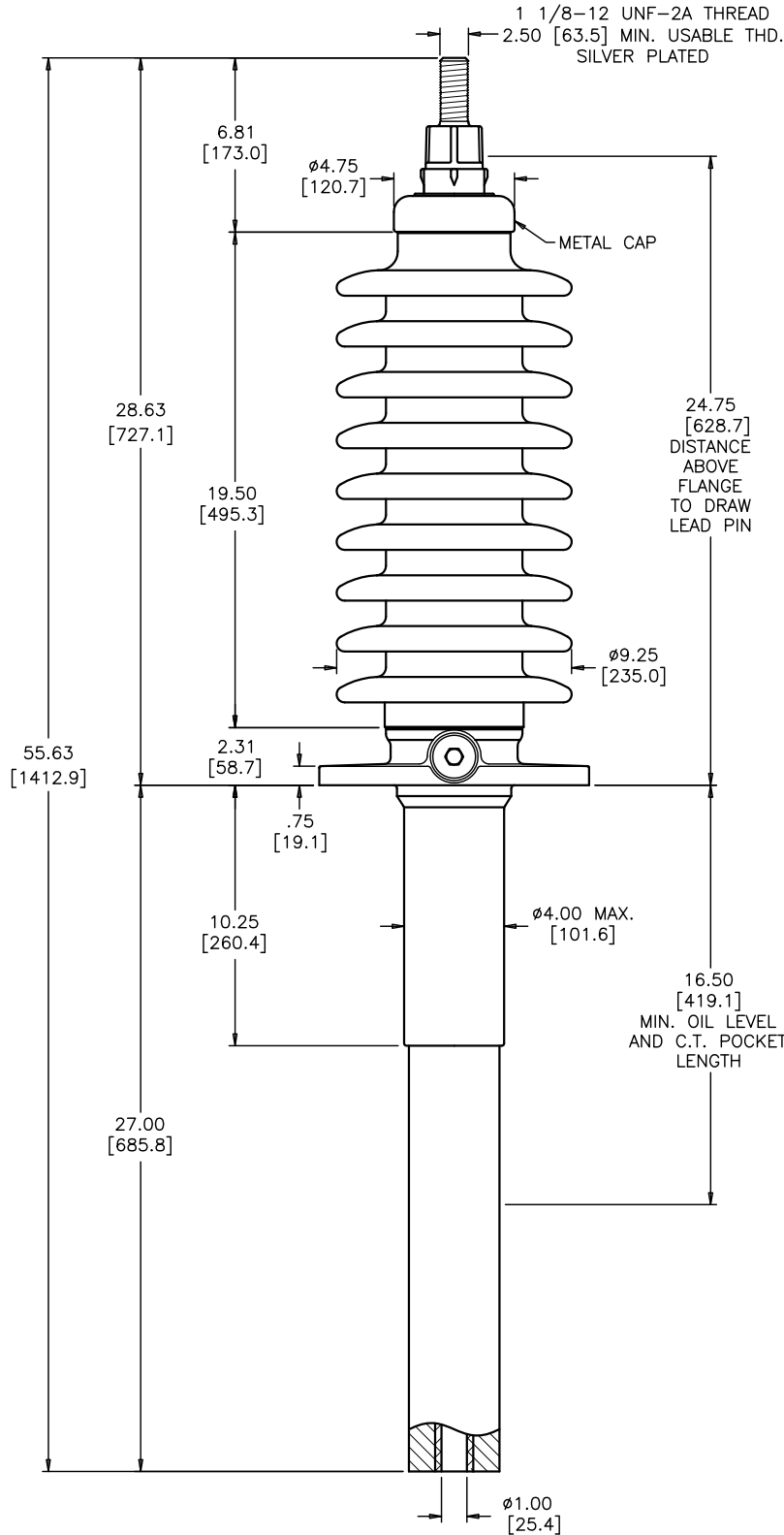
CREEP/L-G 1.85 [46.9] STD. IEEE C57.19.00/01

REF B-89401

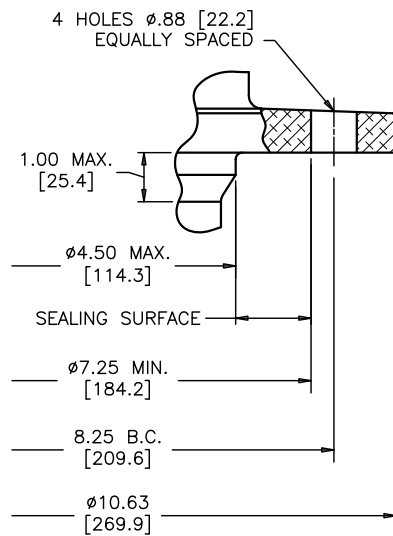
TITLE

PRC BUSHING  
OIL-FREE

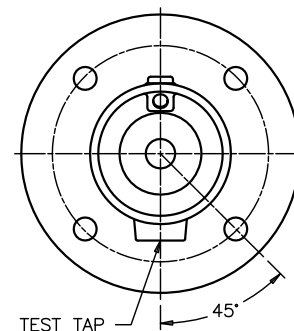
NOTE: ACTUAL DRAW LEAD CURRENT RATING IS DETERMINED BY CABLE SIZE.



**DRAW LEAD ASSEMBLY**



**MOUNTING FLANGE DETAIL**



**FLANGE ALIGNMENT DIAGRAM  
TOP VIEW**

DIMENSIONS IN INCHES [MILLIMETERS]

REVISION REVISED STYLE OF TANK PLUG

SCALE 1/5

NOTE TO PURCHASER:  
ALL SALES OF PCORE PRODUCTS ARE SUBJECT  
TO OUR STANDARD TERMS AND CONDITIONS  
AND THE LIMITED WARRANTIES THEREUNDER