



PCORE
ELECTRIC

KV CLASS 46 kV BIL 250 kV Uy 29 kV

CURRENT RATING

400 AMP DRAW LEAD CONN.
1200 AMP BOTTOM CONNECTION

| DWG. | CATALOG NUMBER | GLAZE COLOR |
|------|----------------|-------------|
| SD | PRC250C0412A | BROWN |
| SD | PRC250F0412A | LT. GRAY |

| | | |
|----|--------------|----------|
| SD | PRC250C0412A | BROWN |
| SD | PRC250F0412A | LT. GRAY |

TITLE

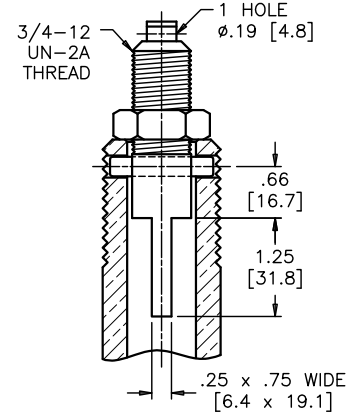
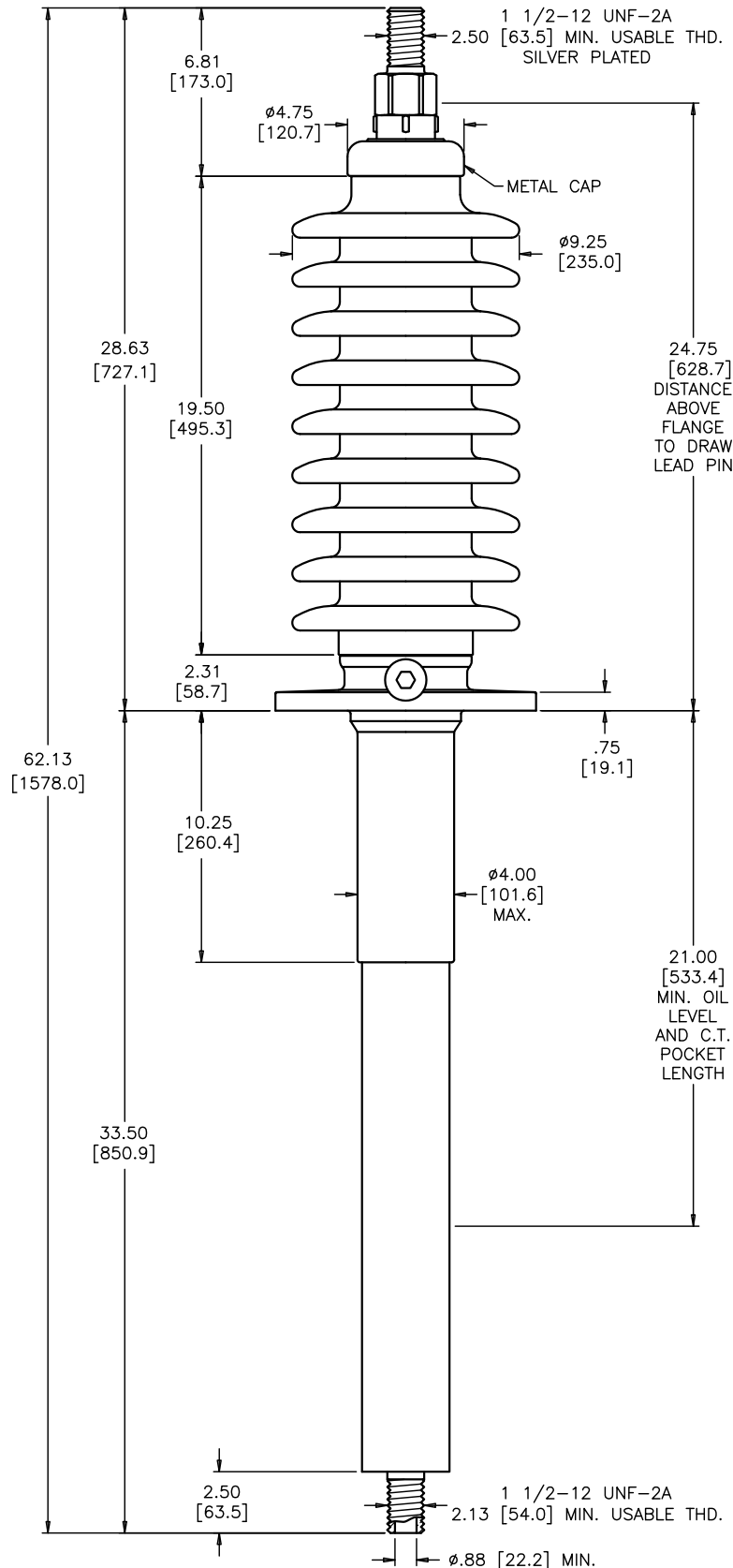
PRC BUSHING

OIL-FREE

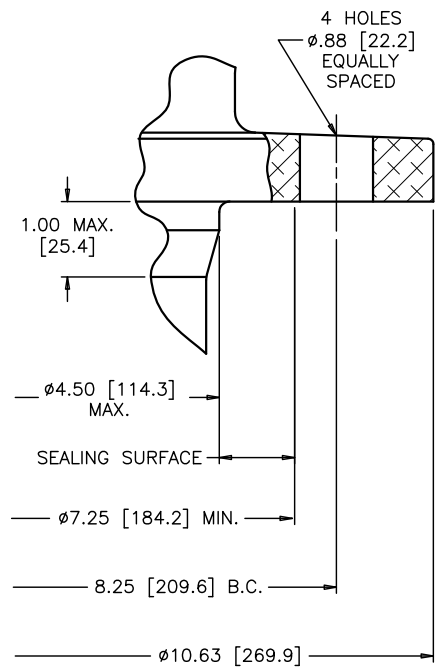
| | | | |
|--|-------------------|-----------|---------|
| DATE | 7-12-16 | REV. DATE | 8-23-16 |
| MAXIMUM ALTITUDE | 10000 ft [3000 m] | | |
| NET WEIGHT | 138 lb [63 kg] | | |
| ANGLE OF INCLINATION FROM THE VERTICAL | 0° TO 90° | | |

| | | | |
|------------|----------------|-------------|-------------------|
| MIN. CREEP | 49.00 [1244.6] | MIN. STRIKE | 20.00 [508.0] |
| CREEP/L-G | 1.85 [46.9] | STD. | IEEE C57.19.00/01 |
| REF | B-89493 | | |

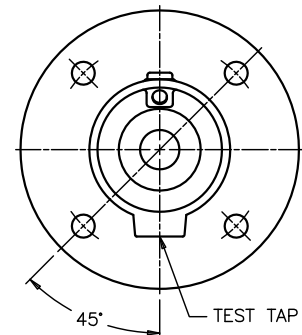
NOTES: ACTUAL DRAW LEAD CURRENT RATING IS DETERMINED BY CABLE SIZE.



DRAW LEAD ASSEMBLY



MOUNTING FLANGE DETAIL



FLANGE ALIGNMENT DIAGRAM TOP VIEW

DIMENSIONS IN INCHES [MILLIMETERS]

REVISION REVISED STYLE OF TANK PLUG

SCALE 1/5

NOTE TO PURCHASER:
ALL SALES OF PCORE PRODUCTS ARE SUBJECT TO OUR STANDARD TERMS AND CONDITIONS AND THE LIMITED WARRANTIES THEREUNDER