



**PCORE**  
ELECTRIC

**kV CLASS** 46 kV **BIL** 250 kV **Uy** 29 kV

**CURRENT RATING**

2000A BOTTOM CONNECTION

**DWG.** **CATALOG NUMBER** **GLAZE COLOR**

SD PRC250C2000A BROWN

SD PRC250F2000A LT. GRAY

**TITLE**

PRC BUSHING

OIL-FREE

**DATE** 9-28-17 **REV. DATE**

**MAXIMUM ALTITUDE** 10000 ft [3000 m]

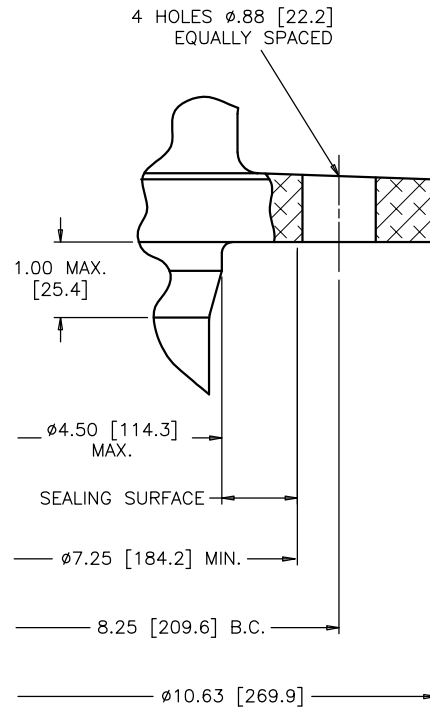
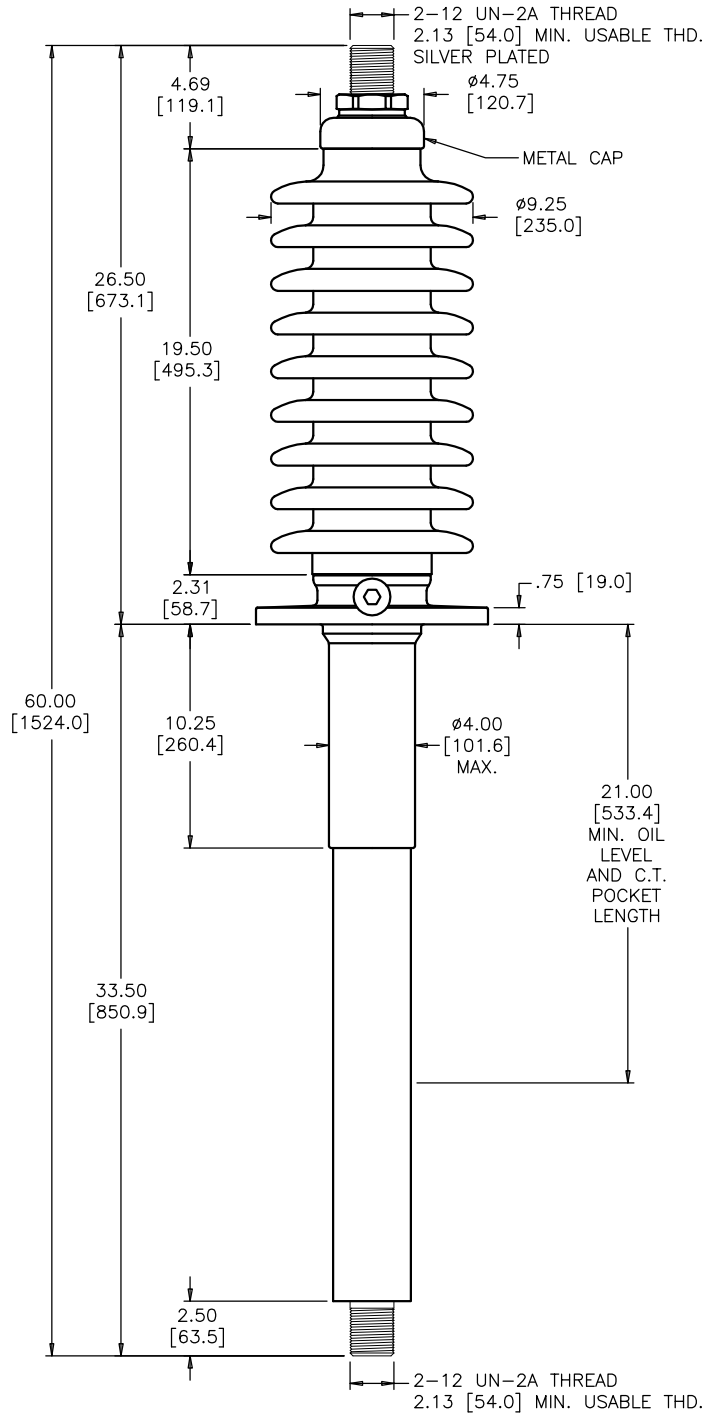
**NET WEIGHT** 140 lb [63.5 kg]

**ANGLE OF INCLINATION FROM THE VERTICAL** 0° TO 90°

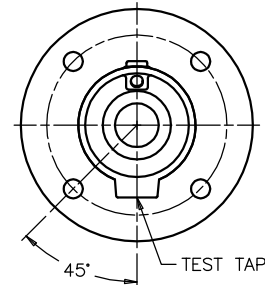
**MIN. CREEP** 49.00 [1244.6] **MIN. STRIKE** 20.00 [508.0]

**CREEP/L-G** 1.85 [46.9] **STD.** IEEE C57.19.00/01

**REF** B-89423



**MOUNTING FLANGE**



**FLANGE ALIGNMENT DIAGRAM TOP VIEW**

DIMENSIONS IN INCHES [MILLIMETERS]

**REVISION**

**SCALE** 1/6

NOTE TO PURCHASER:  
ALL SALES OF PCORE PRODUCTS ARE SUBJECT  
TO OUR STANDARD TERMS AND CONDITIONS  
AND THE LIMITED WARRANTIES THEREUNDER