



**PCORE**  
ELECTRIC

**KV CLASS** 69 kV **BIL** 350 kV **Uy** 44 kV

**CURRENT RATING**

2000A BOTTOM CONNECTION

**DWG.** **CATALOG NUMBER** **GLAZE COLOR**

SD PRC350C2000B BROWN

SD PRC350F2000B LT. GRAY

**TITLE**

PRC BUSHING

OIL-FREE

**DATE** 9-29-17 **REV. DATE**

**MAXIMUM ALTITUDE** 10000 ft [3000 m]

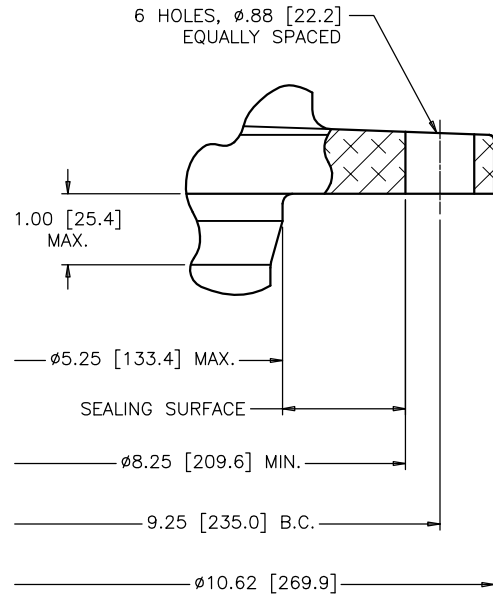
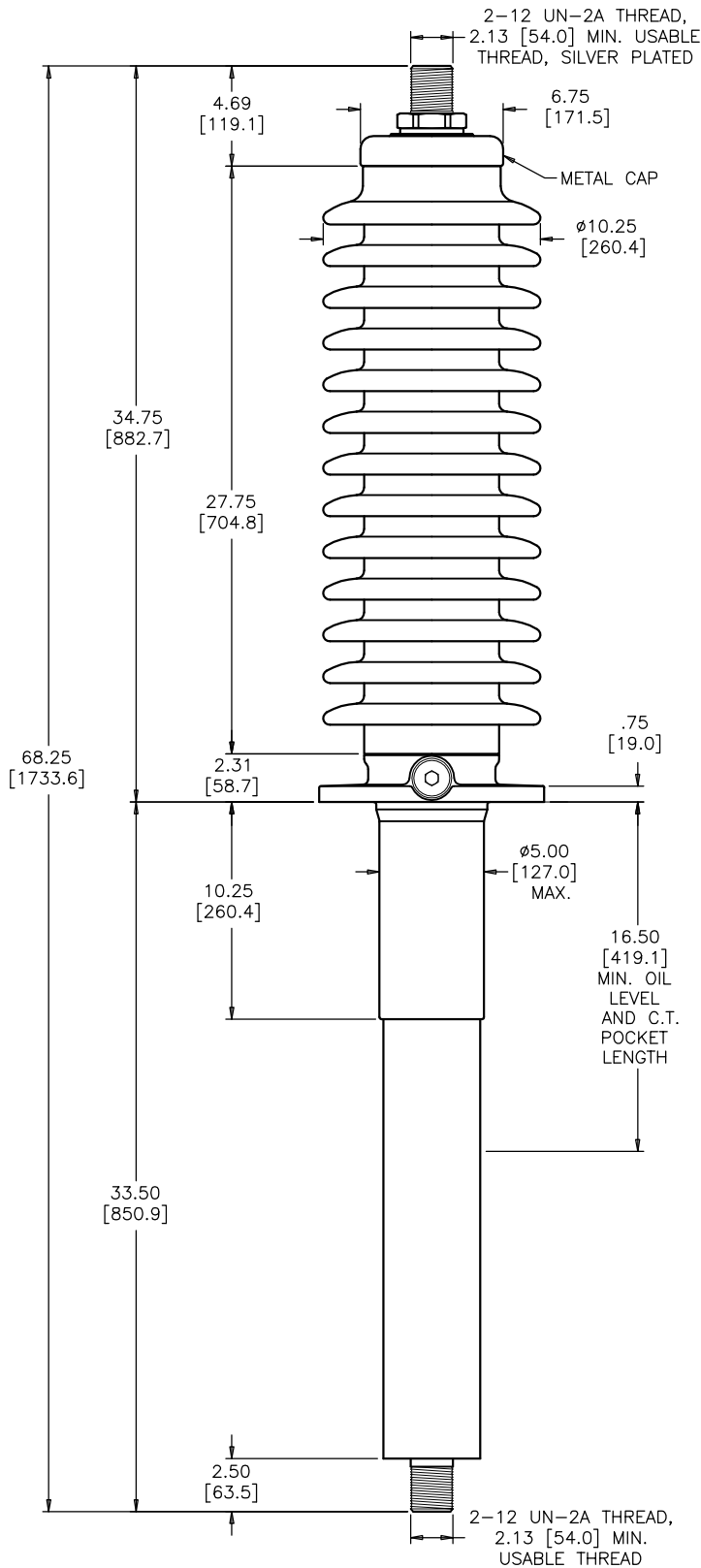
**NET WEIGHT** 152 lb [69 kg]

**ANGLE OF INCLINATION FROM THE VERTICAL** 0° TO 90°

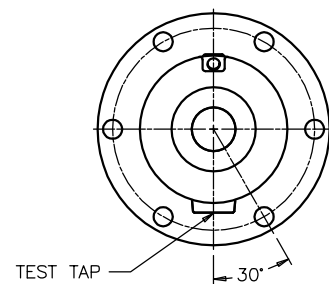
**MIN. CREEP** 69.50 [1765.3] **MIN. STRIKE** 29.00 [736.6]

**CREEP/L-G** 1.74 [44.3] **STD.** IEEE C57.19.00/01

**REF** B-89521



**MOUNTING FLANGE DETAIL**



**FLANGE ALIGNMENT DIAGRAM  
TOP VIEW**

DIMENSIONS IN INCHES [MILLIMETERS]

**REVISION**

**SCALE** 1/6

NOTE TO PURCHASER:  
ALL SALES OF PCORE PRODUCTS ARE SUBJECT  
TO OUR STANDARD TERMS AND CONDITIONS  
AND THE LIMITED WARRANTIES THEREUNDER