



PCORE
ELECTRIC

kV CLASS 115 kV BIL 550 kV Uy 88 kV

CURRENT RATING
800 AMP DRAW-LEAD CONNECTION
1200 AMP BOTTOM CONN. TRANSFORMER
1600 AMP BOTTOM CONN. OIL CIRCUIT BREAKER

DWG. CATALOG NUMBER INS. COLOR

SD PRC550P0800S LT. GRAY

TITLE
OIL-FREE PRC BUSHING
W/COMPOSITE INSULATOR

DATE 4-16-21 REV. DATE 7-15-21

MIN. CREEP 185.00 [4699.0] MIN. STRIKE 52.00 [1320.8]

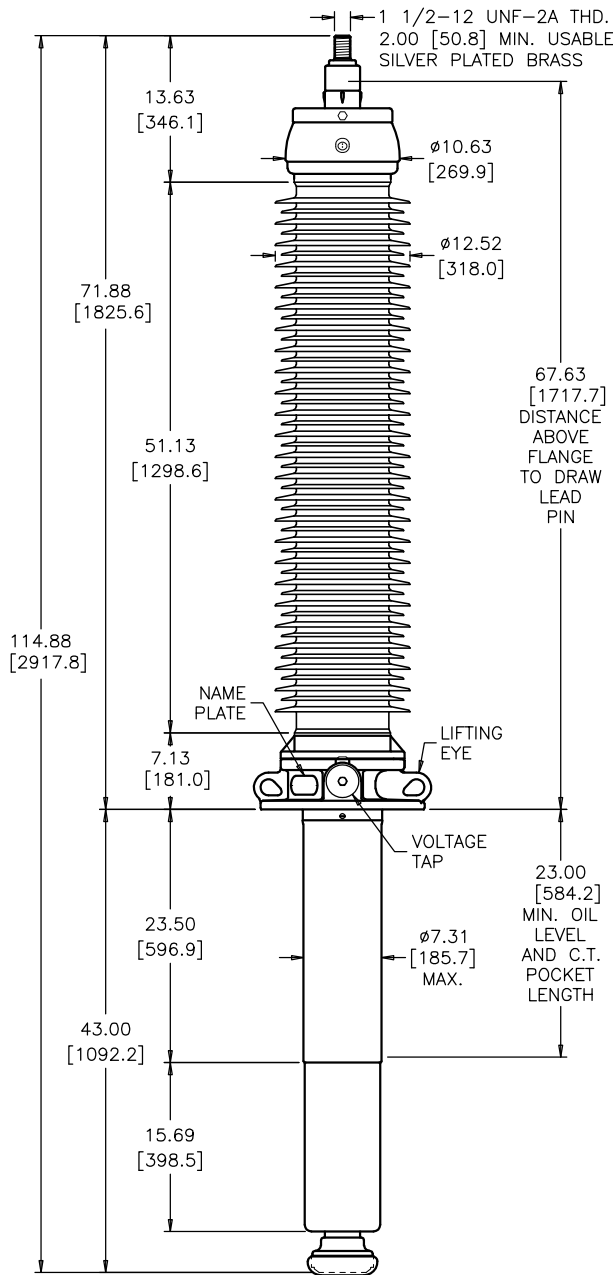
MAXIMUM ALTITUDE 10000 ft [3000 m]

CREEP/L-G 2.79 [70.8] STD. IEEE C57.19.00/01

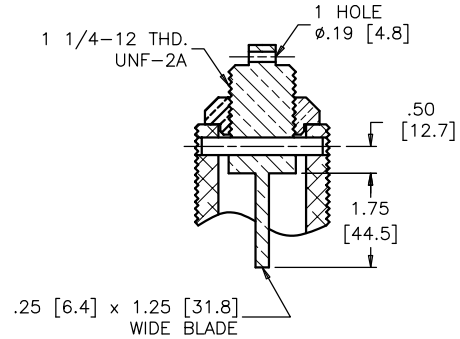
NET WEIGHT 350 lb [159 kg]

ANGLE OF INCLINATION FROM THE VERTICAL 0° TO 90°

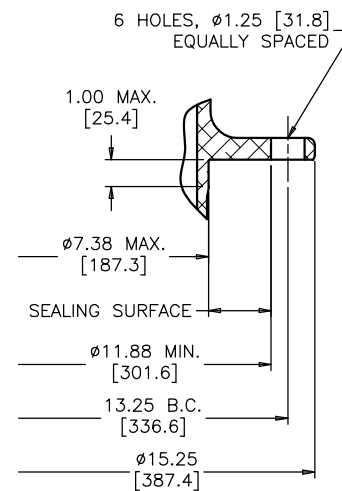
SILVER PLATED BRASS TOP TERMINAL



NOTE: ACTUAL DRAW-LEAD CURRENT RATING IS DETERMINED BY CABLE SIZE

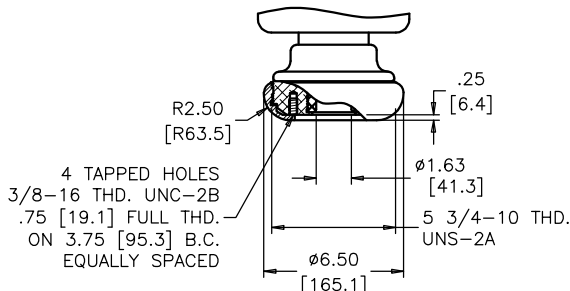


DRAW LEAD ASSEMBLY

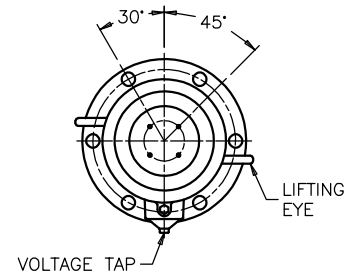


MOUNTING FLANGE

ANGLE BETWEEN HOLES IN BOTTOM TERMINAL & IN FLANGE COINCIDE WITHIN ±2°



TWO PIECE BOTTOM END CAP WITH UNCOATED TRANSFORMER SHIELD



ALIGNMENT OF FLANGE AND BOTTOM TERMINAL TOP VIEW

DIMENSIONS IN INCHES [MILLIMETERS]

REVISION ADDED PLUG TO TOP CAN

SCALE 1/12

NOTE TO PURCHASER: ALL SALES OF PCORE PRODUCTS ARE SUBJECT TO OUR STANDARD TERMS AND CONDITIONS AND THE LIMITED WARRANTIES THEREUNDER