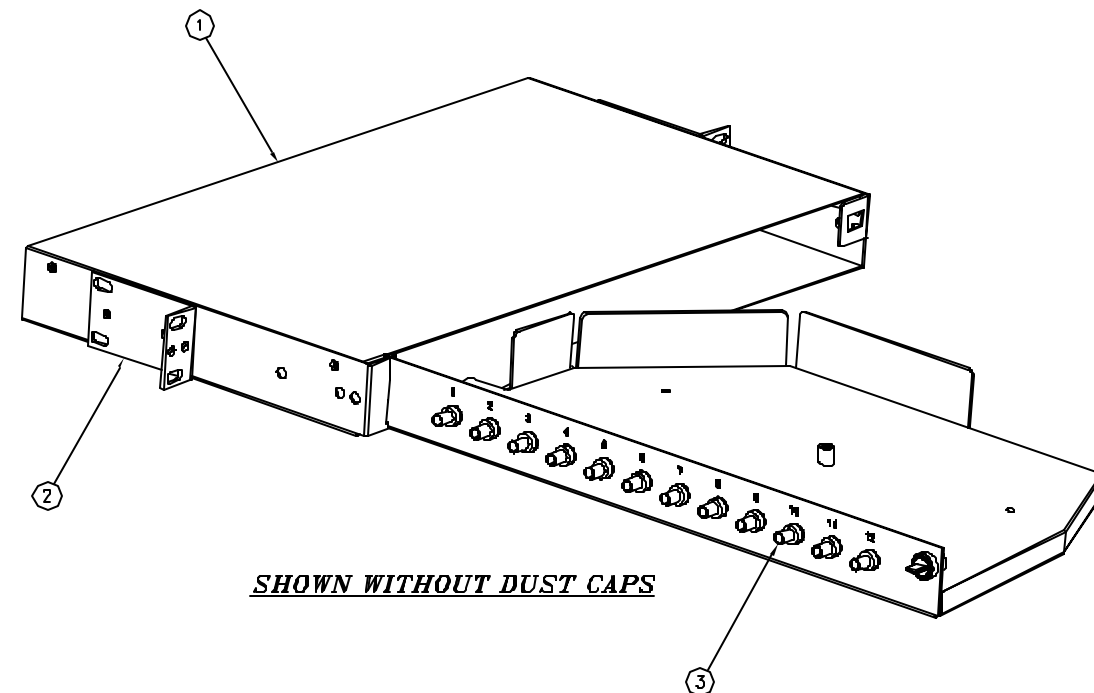
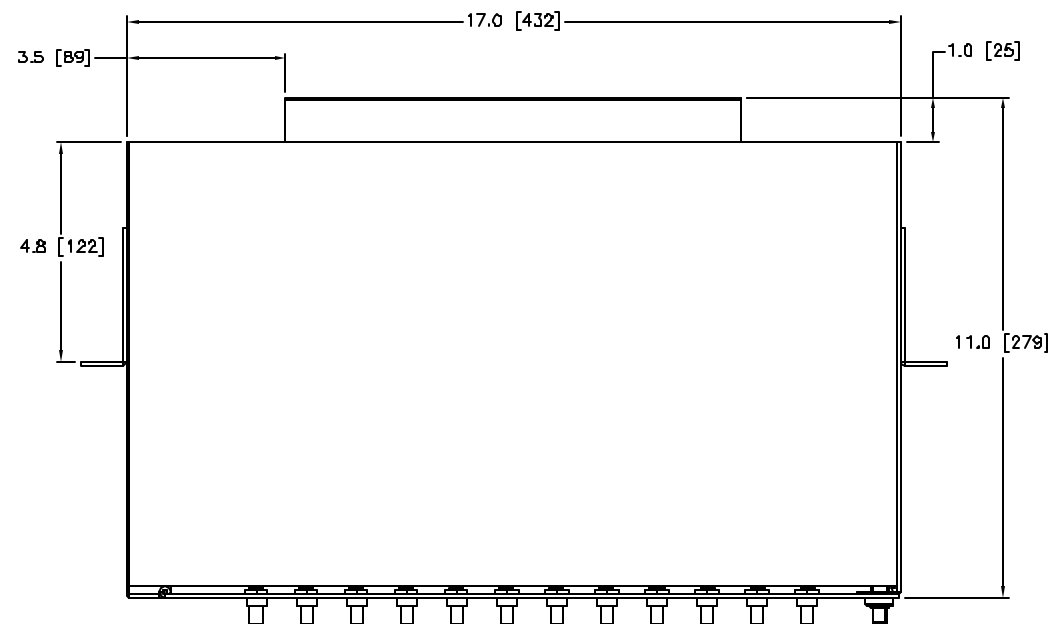
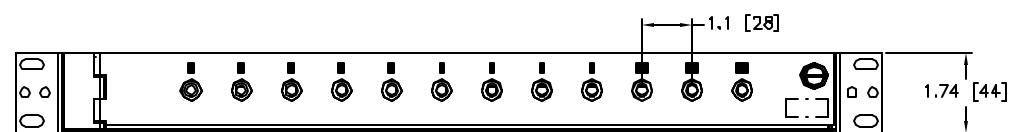


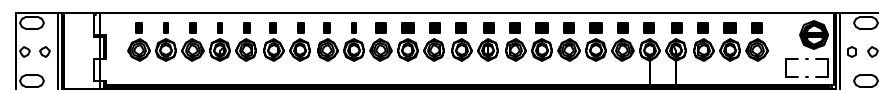
BILL OF MATERIALS TABULATION					CATALOG NUMBER		DESCRIPTION		
FPR012STM			FPR024STM		FPR012STM	FPR RACK MOUNT WITH 12 ST ADAPTERS			
ITEM NO.	DESCRIPTION	QTY.	ITEM NO.	DESCRIPTION	QTY.	FPR024STM	FPR RACK MOUNT WITH 24 ST ADAPTERS		
1	FPR CABINET	1	1	FPR CABINET	1				
2	ST ADAPTERS	12	2	ST ADAPTERS	24				
3	MOUNTING BRACKETS	2	3	MOUNTING BRACKETS	2				



*SHOWN WITHOUT DUST CAPS*



**FPR012STM**



**FPR024STM**

NOTES:

- HINGED SWING-OUT FIBER DRAWER FOR EASY ACCESS TO CABLES AND CONNECTORS.
- CAPABLE OF FLUSH OR CENTER MOUNTING IN A 19" OR 23" RACK.
- BLACK ELECTROSTATICALLY APPLIED POWDER COAT.
- STUD FOR SPLICE TRAY MOUNTING.
- ADAPTERS CONTAIN PHOSPHOR-BRONZE ALIGNMENT SLEEVES SUITABLE FOR BOTH SINGLEMODE AND MULTIMODE APPLICATIONS.
- ADAPTER SUPPLIED WITH DUST CAPS INSTALLED - NOT SHOWN.
- CABINET OCCUPIES ONE RACK SPACE.
- LENGTH OF FULLY OPEN CABINET IS 27.1[688].
- SPECIFICATIONS SUBJECT TO CHANGE WITHOUT NOTICE.

REV.	ECH	DATE	DESCRIPTION	CHG BY	APPD BY
A	4446	11SEP01	INITIAL RELEASE	PSM	

Checked or AUTOCAD	DIMENSIONING AND TOLERANCE PER ANSI Y14.5M-1982 UNLESS OTHERWISE SPECIFIED, DIMENSIONS ARE IN INCHES (MM). TOLERANCES: .XX = ±.01 (.25) .XXX = ±.005 (.127) .XXXX = ±.0025 (.0635) ANGLE TOL = 1°	PROJECT REFERENCE:  MATERIAL: 18 GAGE CRS WITH BLACK POWDER COAT FINISH	<b>Hubbell Premise Wiring</b> HUBBELL INCORPORATED (Delaware) 14 Lovell Hill Road, Norwalk, Connecticut 06857
	IN ACCEPTING OUR DRAWINGS, BLUEPRINTS, OR SUPPORTING DOCUMENTATION FOR QUOTATION OR OTHER PURPOSES, YOU AGREE NOT TO DISCLOSE TO OTHERS THE IDEAS, INFORMATION, OR DESIGNS SHOWN HEREIN, AND THAT YOU WILL MAKE NO USE OF SAME WITHOUT PERMISSION.	DRAWN BY: PAUL S. MAGUIRE 01OCT01  CHECKED BY:  APPROVED BY:	

A