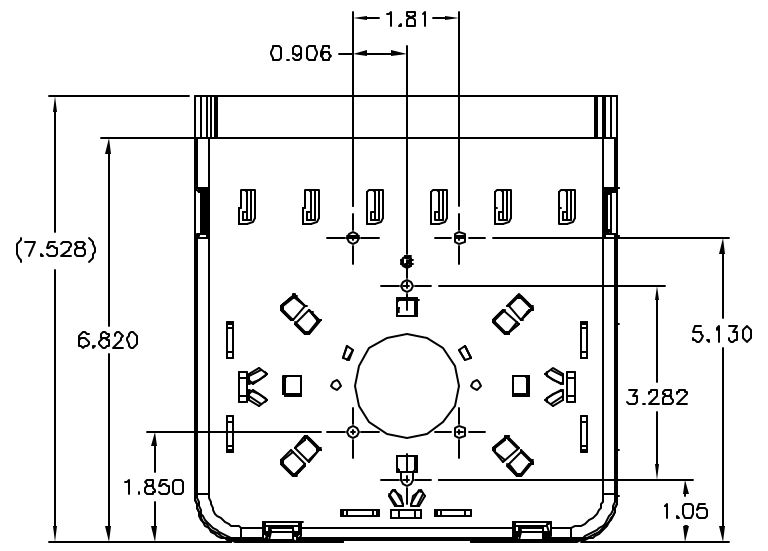
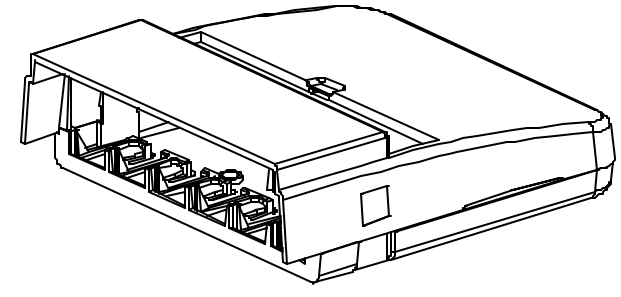
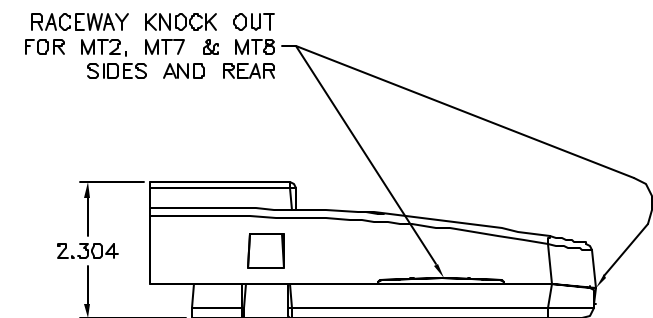
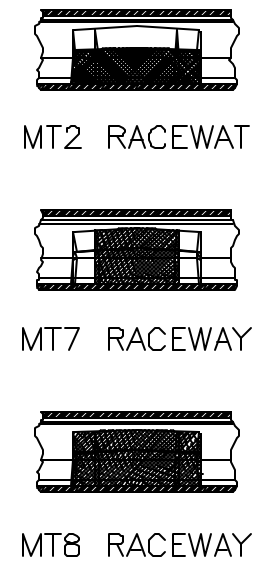
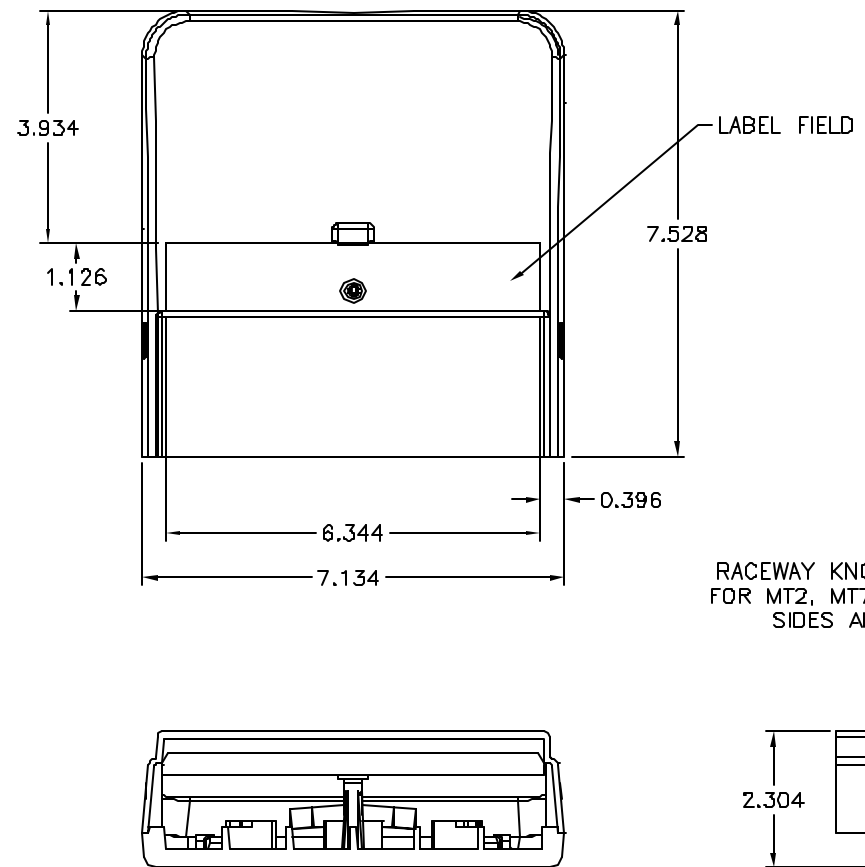


6 5 4 3 2 1

CATALOG NUMBER	DESCRIPTION
AMO	ASSY, AMO MULTIMEDIA BOX

D
C
B
A

D
C
B
A



- NOTES:
1. UL LISTED
 2. CSA LISTED
 3. RACEWAY CALL OUT:
SUPPORTS RACEWAY MT2, MT7 & MT8
 4. LABEL FIELD
 5. SEE CATALOG FOR SUPPORTING MULTIMEDIA MODULES
 6. SUPPORTS 12 PORTS OF FIBER OR COPPER
 7. SPECIFICATIONS SUBJECT TO CHANGE WITHOUT NOTICE

REV.	ECN	DATE	DESCRIPTION	CHG BY	APPD BY
B	4843	07/25/02	CORRECTED DIMENSIONS	CG	GK
A	4807	06/28/02	INITIAL RELEASE	PSM	GK

Created on AUTOCAD	<p>DIMENSIONING AND TOLERANCE PER ANSI Y14.5M-1982 UNLESS OTHERWISE SPECIFIED, DIMENSIONS ARE IN INCHES (MM).</p> <p>TOLERANCES .XX = ±.01 (.25) .XXX = ±.005 (.127) .XXXX = ±.0025 (.0635) ANGLE TOL ±1°</p>	<p>PROJECT REFERENCE:</p> <p>MATERIAL:</p>	<p>Hubbell Premise Wiring HUBBELL INCORPORATED (Delaware) 14 Lord's Hill Road, Storington, Connecticut 06378</p>	
	<p>IN ACCEPTING OUR DRAWINGS, BLUEPRINTS, OR SUPPORTING DOCUMENTATION FOR QUOTATION OR OTHER PURPOSES, YOU AGREE NOT TO DISCLOSE TO OTHERS THE IDEAS, INFORMATION, OR DESIGNS SHOWN HEREIN, AND THAT YOU WILL MAKE NO USE OF SAME WITHOUT PERMISSION</p>	<p>DRAWN BY: PAUL S. MAGUIRE 06/28/02</p> <p>CHECKED BY: GLENN KIERSTEAD 07/09/02</p> <p>APPROVED BY: GLENN KIERSTEAD 07/09/02</p>		<p>TITLE: PLATES/HOUSINGS/FRAMES AMO MODULE ASSY, AMO MULTIMEDIA BOX</p>
		<p>SIZE: C</p>	<p>DRAWING NO.: C10809</p>	<p>REV.: B</p>
		<p>SCALE: 1/1</p>	<p>SHEET 1 OF 1</p>	