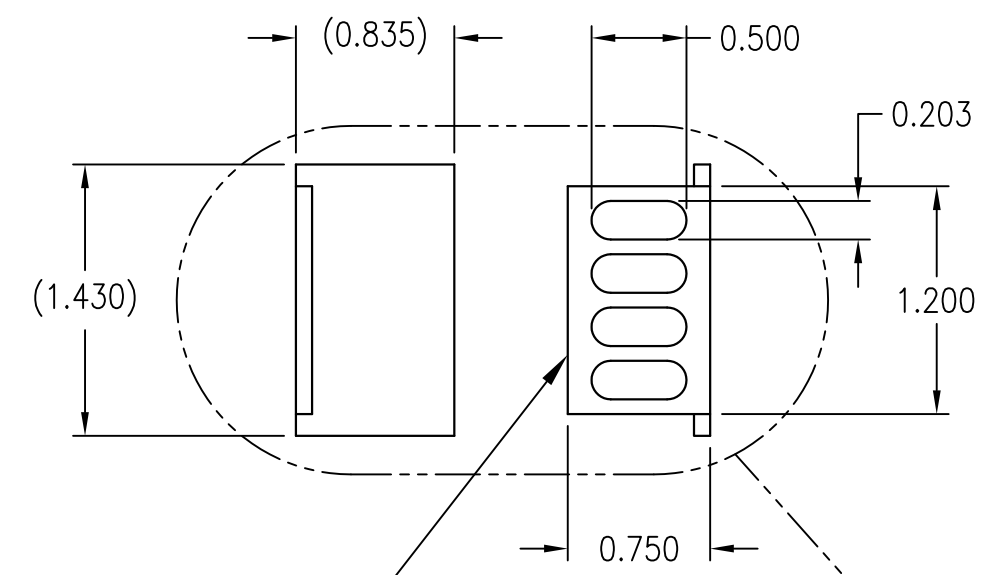
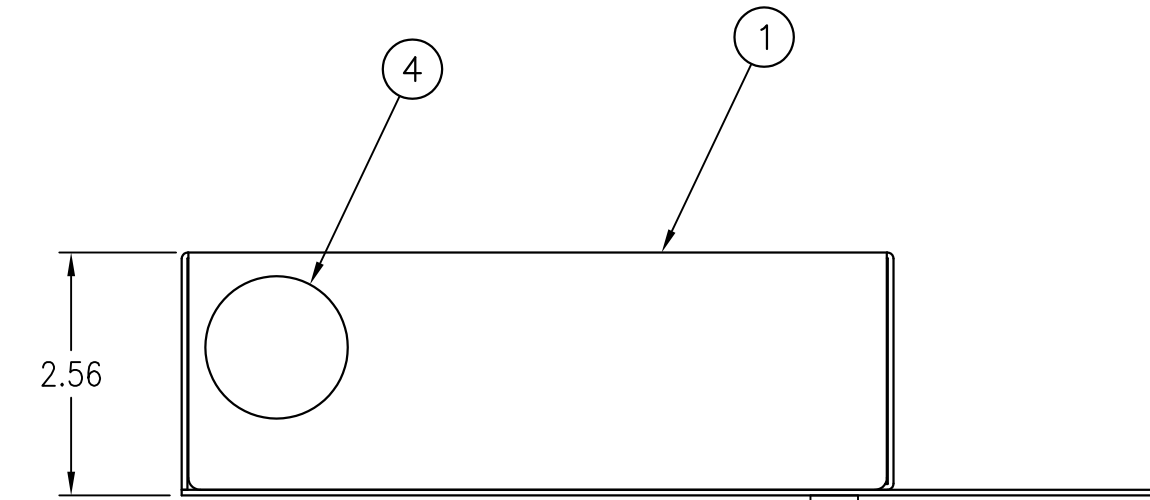


| ITEM NO. | DESCRIPTION | QTY. |
|----------|-------------------------------|------|
| 1 | BASE | 1 |
| 2 | FRONT COVER | 1 |
| 3 | SADDLE CLIPS | 3 |
| 4 | HOLE PLUG, 1.5" DIA. | 2 |
| 5 | D-HOLE PLUG | 1 |
| 6 | 1/4 TURN FASTENER (INSTALLED) | 2 |
| 7 | 1/4 TURN PLUNGER (INSTALLED) | 2 |
| 8 | GRID LABEL | 1 |
| 9 | DANGER LABEL | 1 |
| 10 | CABLE GROMMET | 1 |
| 11 | HINGE | 1 |
| 12 | 10" WIRE TIE | 4 |
| 13 | CABLE TIE-OFF, 2 SLOTS | 2 |
| 14 | INSTRUCTION SHEET | 1 |

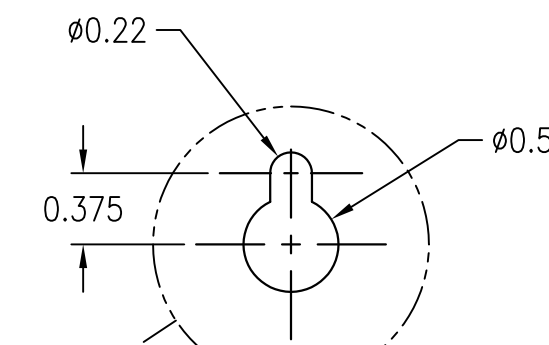
| CATALOG NUMBER | DESCRIPTION |
|----------------|--------------------------------------|
| FTU2SP | ASSEMBLY, 6/12 PORT SHROUDED CABINET |



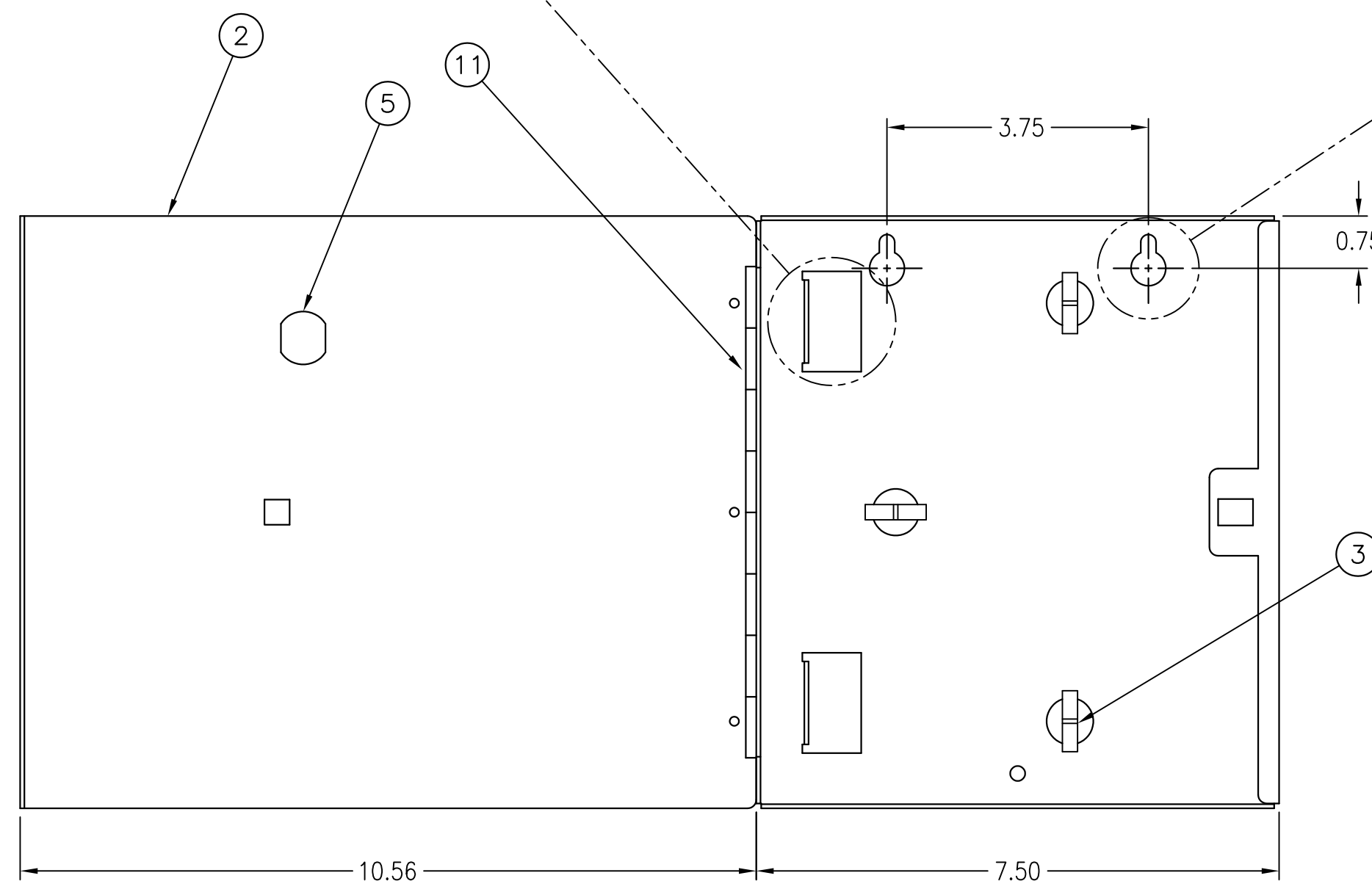
DETAIL "B"
SCALE 1/1
(2) PLACES



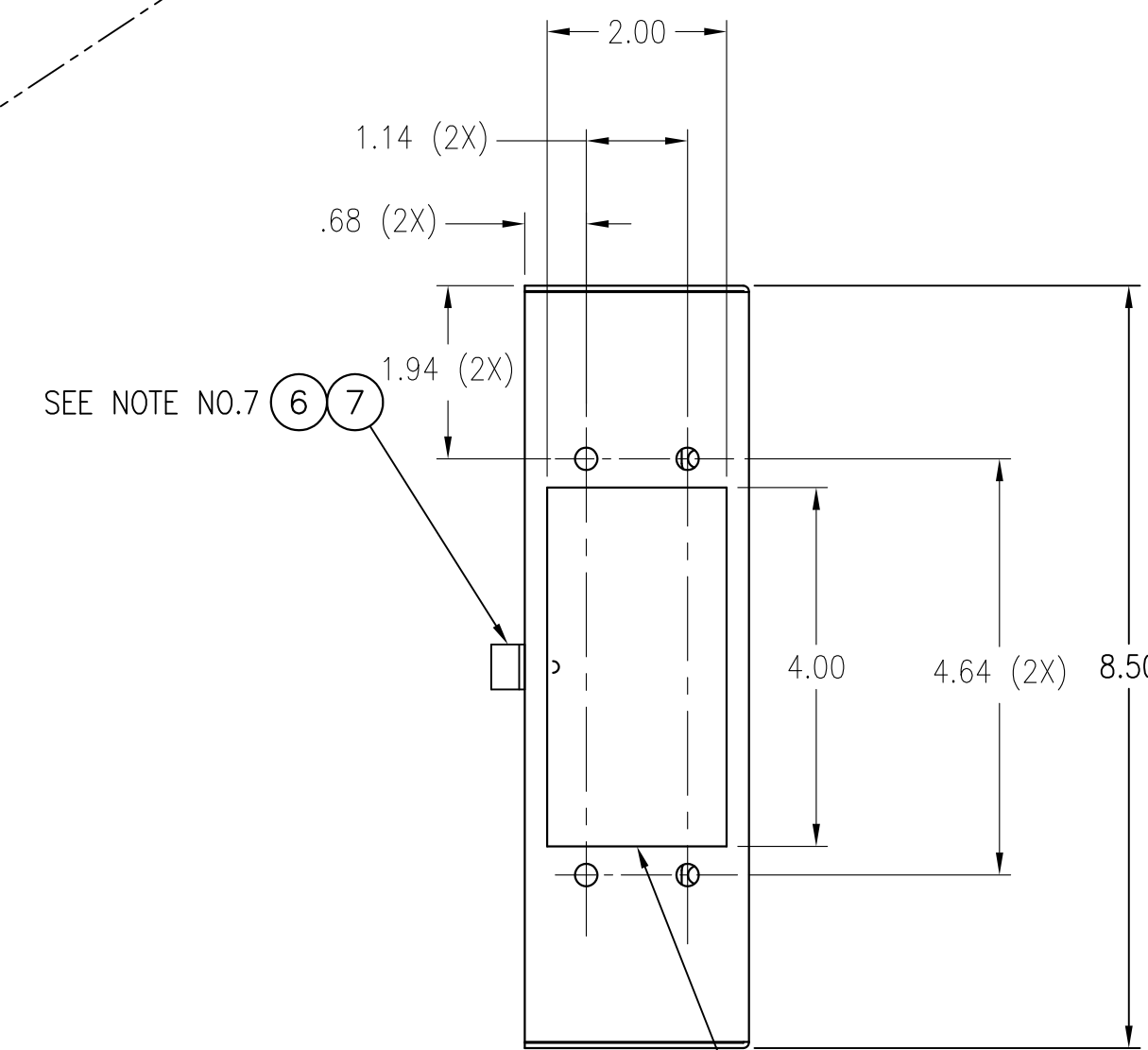
NOTE: D-HOLE PLUG NOT SHOWN



DETAIL
SCALE 1/1



NOTE: D-HOLE AND 1/4 TURN FASTENER/PLUNGER NOT SHOWN



SEE NOTE NO.7 (6) (7)

CUT OUT TO ACCEPT 2 FSP ADAPTER PANELS

NOTE: D-HOLE PLUG NOT SHOWN

NOTES:

- SINGLE DOOR WALL MOUNT CABINET UTILIZES UP TO TWO FSP SERIES ADAPTER PANELS.
 - WILL NOT WORK WITH FSPHD6X, 6 PORT ADAPTER PANEL
- EXTENDED FRONT COVERS PROVIDE PATCH CORD PROTECTION.
- CABLE ENTRY PORTS DESIGNED FOR STACKABLE MOUNTING.
- OPTIONAL LOCKING FEATURE ON FRONT COVER.
- CABINET DOES NOT ACCOMMODATE SPLICE TRAYS.
- CABINET IS 16 GA. CRS WITH BLACK ELECTROSTATICALLY APPLIED POWDER COAT.
- ONE SET INSTALLED; AND AN ADDITIONAL SET IS INCLUDED IN THE HARDWARE PACK.
- ITEM NO.'S (8,9,10,12 & 13) ARE PACKAGED IN HARDWARE PACK
- SPECIFICATIONS SUBJECT TO CHANGE WITHOUT NOTICE.

| REV. | ECN | DATE | DESCRIPTION | CHG BY | APPD BY |
|------|-------|----------|-------------------|--------|---------|
| B | 21405 | 08/31/16 | ADD MOUNTING DIMS | JJRJ | MMA |

Created on AUTOCAD

DIMENSIONING AND TOLERANCE PER ANSI Y14.5M-1982 UNLESS OTHERWISE SPECIFIED, DIMENSIONS ARE IN INCHES (MM).
TOLERANCES
.XX = ±.01 (.25)
.XXX = ±.005 (.127)
.XXXX = ±.0025 (.0635)
ANGLE TOL ±1°

IN ACCEPTING OUR DRAWINGS, BLUEPRINTS, OR SUPPORTING DOCUMENTATION FOR QUOTATION OR OTHER PURPOSES, YOU AGREE NOT TO DISCLOSE TO OTHERS THE IDEAS, INFORMATION, OR DESIGNS SHOWN HEREIN, AND THAT YOU WILL MAKE NO USE OF SAME WITHOUT PERMISSION

PROJECT REFERENCE:

MATERIAL:

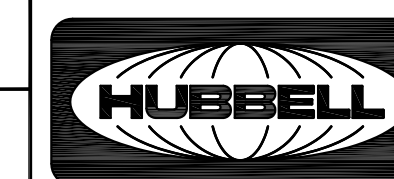
DRAWN BY:

P.S.MAGUIRE 01/21/02

CHECKED BY:

APPROVED BY:

JOHN LUTZEN 03/06/02



Hubbell Premise Wiring
HUBBELL INCORPORATED (Delaware)
14 Lord's Hill Road, Stonington, Connecticut 06378

TITLE: ASSY, 6/12 PORT SHROUDED CABINET

SIZE: DRAWING NO. C10977

SCALE: 1/2 SHEET 1 OF 1

B