

6

5

4

3

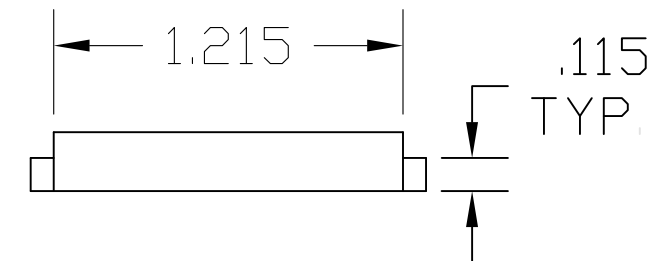
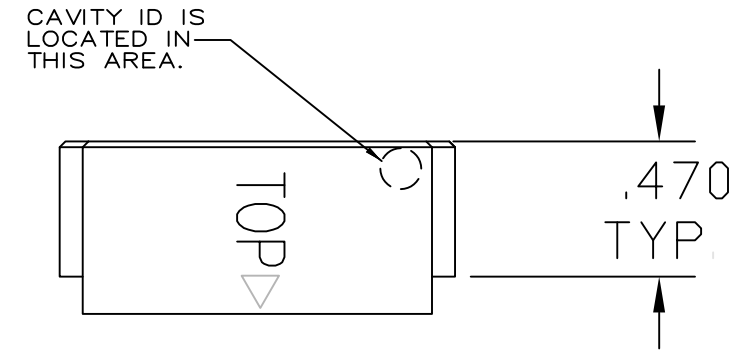
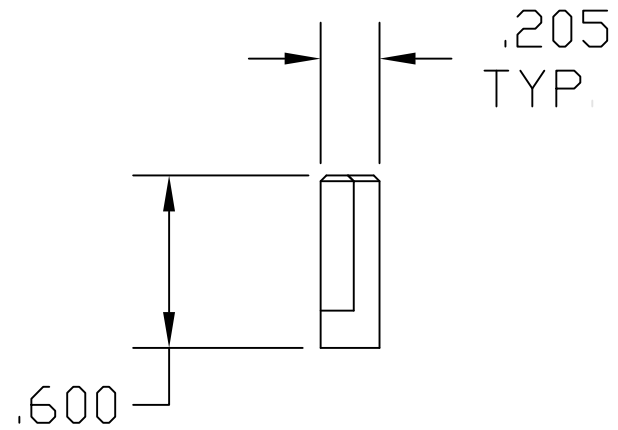
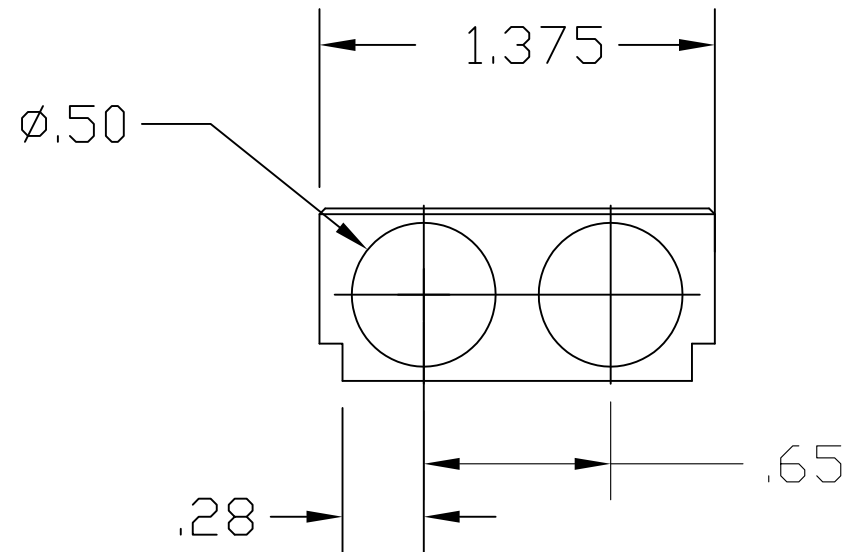
2

1

CATALOG NO	DESCRIPTION
0FPBB10	0FP BRACKET, BLANK, 10 PACK

D

D

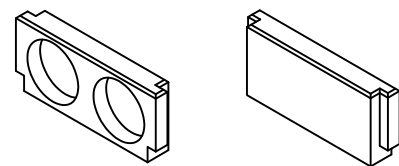


C

C

B

B




ACTUAL SIZE

NOTES:

- FOR USE IN 0FPPL BASE UNIT HOUSING.
- FOR USE WITH ST TYPE CONNECTORS.
- SPECIFICATIONS SUBJECT TO CHANGE WITHOUT PRIOR NOTICE.

A

A

Created on AUTOCAD	DIMENSIONING AND TOLERANCE PER ANSI Y14.5M-1982 UNLESS OTHERWISE SPECIFIED, DIMENSIONS ARE IN INCHES (MM). TOLERANCES .XX = ±.01 (.25) .XXX = ±.005 (.127) .XXXX = ±.0025 (.0635) ANGLE TOL ±1°		PROJECT REFERENCE: PMS438		 <b>Hubbell Premise Wiring</b> HUBBELL INCORPORATED (Delaware) 23 CLARA DRIVE, SUITE 103 MYSTIC, CT 06355		
	IN ACCEPTING OUR DRAWINGS, BLUEPRINTS, OR SUPPORTING DOCUMENTATION FOR QUOTATION OR OTHER PURPOSES, YOU AGREE NOT TO DISCLOSE TO OTHERS THE IDEAS, INFORMATION, OR DESIGNS SHOWN HEREIN, AND THAT YOU WILL MAKE NO USE OF SAME WITHOUT PERMISSION		MATERIAL: PLASTIC			TITLE: MODULE, 0FP, BLANK	
			DRAWN BY: J. RUOT-JACKSON 08/22/16		SIZE: <b>B</b>	DRAWING NO. <b>11025C</b>	REV. <b>1</b>
			CHECKED BY:  APPROVED BY:		SCALE: <b>NTS</b>	SHEET <b>1</b> OF <b>1</b>	

1	21405	08/22/16	INITIAL RELEASE	JJRJ	MMA
REV.	ECN	DATE	DESCRIPTION	CHG BY	APPD BY