

6 5 4 3 2 1

ITEM	DESCRIPTION	QUANTITY
1	OPF BRACKET	1
2	ST ADAPTER	2
3	LOCKWASHER	2
4	NUT	2

CATALOG NO.	DESCRIPTION
OPFBST2	OPF BRACKET W/2 ST COUPLERS, PBZ

D

D

C

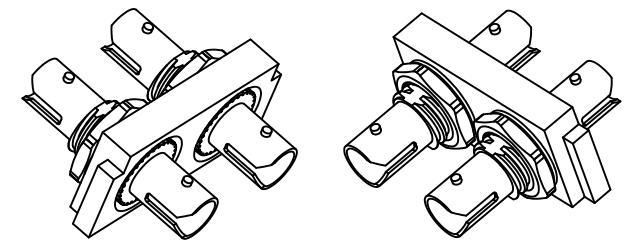
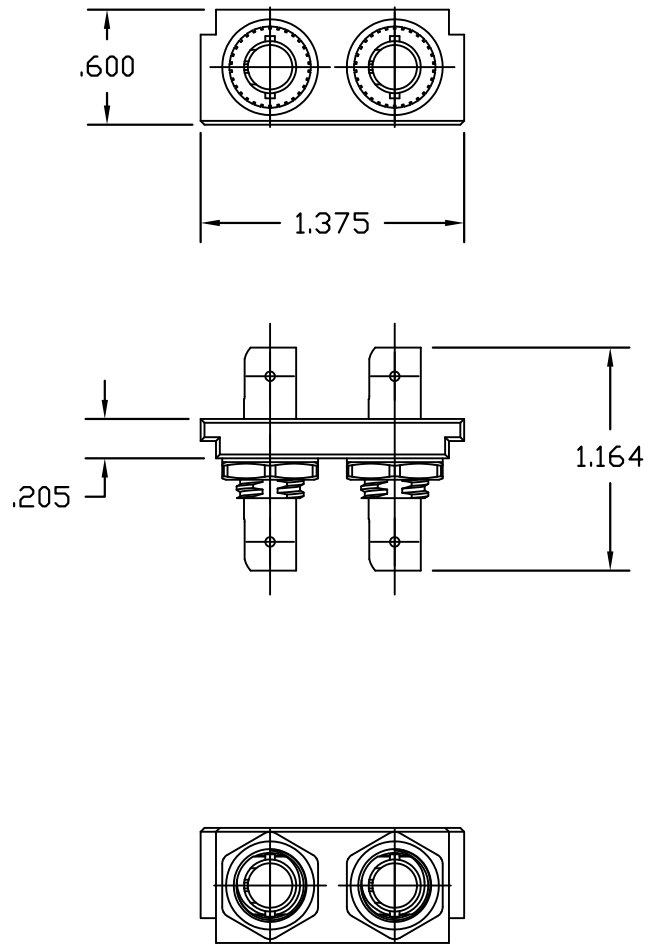
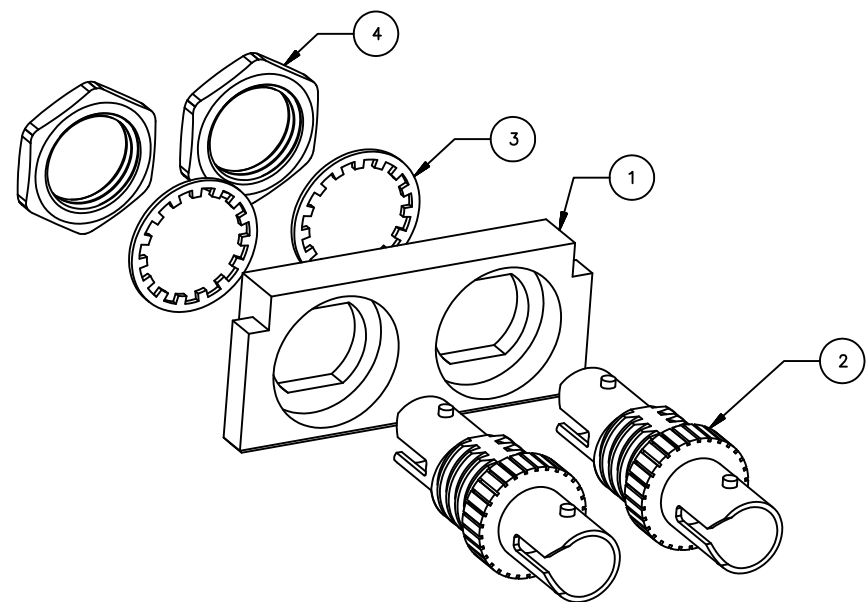
C

B

B

A

A




SCALE 2:1

NOTES:

- FOR USE WITH OPF HOUSING BASE UNIT, CATALOG NO. OPFPL
- OPF BRACKET COLOR: OFFICE WHITE
- SPECIFICATIONS SUBJECT TO CHANGE WITHOUT PRIOR NOTICE.

1	21405	08/24/16	INITIAL RELEASE	JJRJ	MMA
REV.	ECN	DATE	DESCRIPTION	CHG BY	APPD BY

Created on AUTOCAD	DIMENSIONING AND TOLERANCE PER ANSI Y14.5M-1982 UNLESS OTHERWISE SPECIFIED, DIMENSIONS ARE IN INCHES (MM). TOLERANCES .XX = ±.01 (.25) .XXX = ±.005 (.127) .XXXX = ±.0025 (.0635) ANGLE TOL ±1°		PROJECT REFERENCE: PMS 438		 Hubbell Premise Wiring HUBBELL INCORPORATED (Delaware) 23 CLARA DRIVE, SUITE 103 MYSTIC, CT 06355		
	IN ACCEPTING OUR DRAWINGS, BLUEPRINTS, OR SUPPORTING DOCUMENTATION FOR QUOTATION OR OTHER PURPOSES, YOU AGREE NOT TO DISCLOSE TO OTHERS THE IDEAS, INFORMATION, OR DESIGNS SHOWN HEREIN, AND THAT YOU WILL MAKE NO USE OF SAME WITHOUT PERMISSION		MATERIAL: SEE TABLE			TITLE: ASSEMBLY, OPF BRACKET WITH 2 ST COUPLERS, PBZ	
			DRAWN BY: J. RUOT-JACKSON 08/22/16		SIZE: B	DRAWING NO. 11027C	REV. 1
			CHECKED BY: APPROVED BY:		SCALE: NTS	SHEET 1 OF 1	