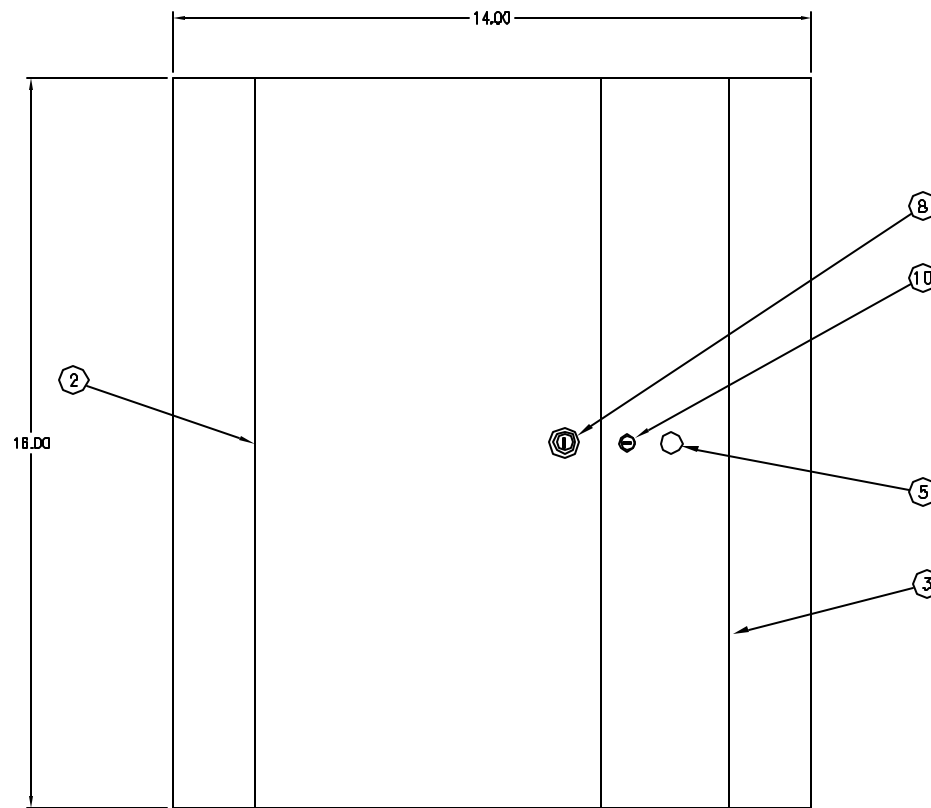
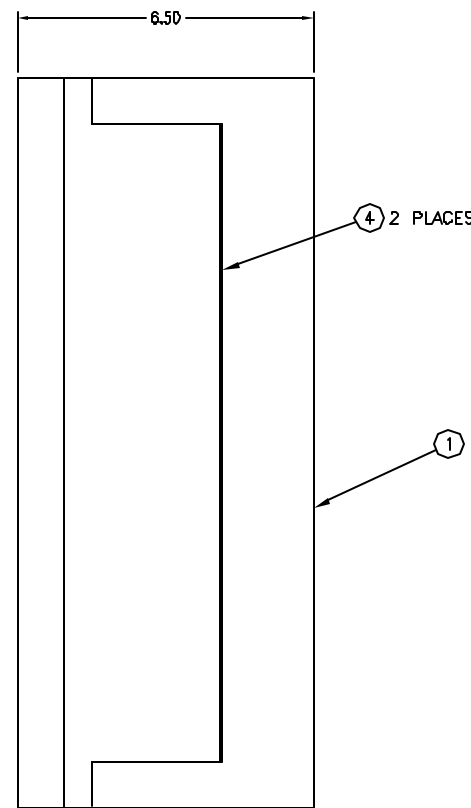


ITEM NO.	DESCRIPTION	QTY.
1	FCW12SP CABINET BASE	1
2	PANEL, LEFT DOOR	1
3	PANEL, RIGHT DOOR	1
4	HINGE PIN, DOOR	2
5	PLUG, D-HOLE DOME, DOOR	1
6	PANEL, PATCH	1
7	PLUG, DOME, 1.5" DIAMETER	4
8	CHROME DOOR KEY LOCK	1
9	CABLE TIE-OFF, FOUR SLOTS	4
10	FASTENER, 1/4 TURN, DOOR (INSTALLED)	2
11	NUT WITH LOCK WASHER, SS #10-32	2
12	STANDOFF, THREADED INSERT, SS #10-32	2
13	PANEL, CABLE MANAGEMENT TRAY	1
14	STAND-OFF, THRD INSERT, 10-32, SPLICE TRAY	1
15	O-RING, PLASTIC, WHITE	4
16	RIVOT, O-RING, PLASTIC, BLACK	4
17	GRID LABEL	1
18	DANGER LABEL	1
19	10" WIRE TIE	8
20	THREADED POST	1
21	NYLON WING NUT	1
22	INSTRUCTION SHEET	1

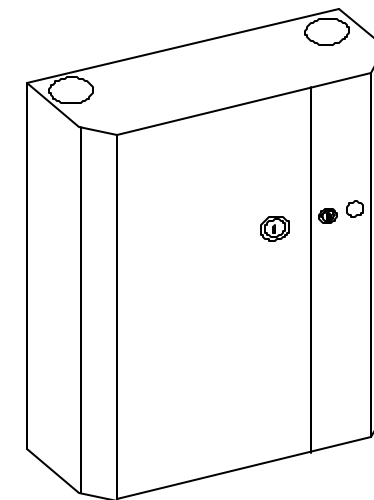
CATALOG NUMBER	DESCRIPTION
FCW12SP	12 SIX-PACK HOLDER WALL MOUNT CABINET



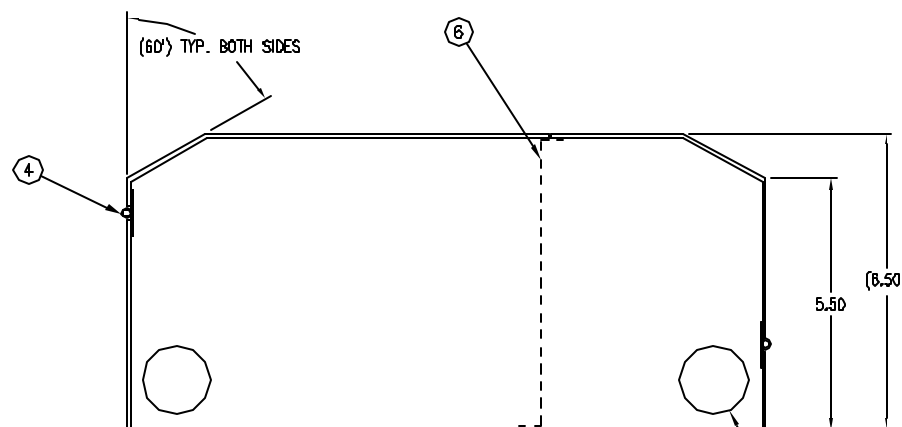
**FRONT VIEW**  
SHOWN WITH DOORS  
IN CLOSED POSITION



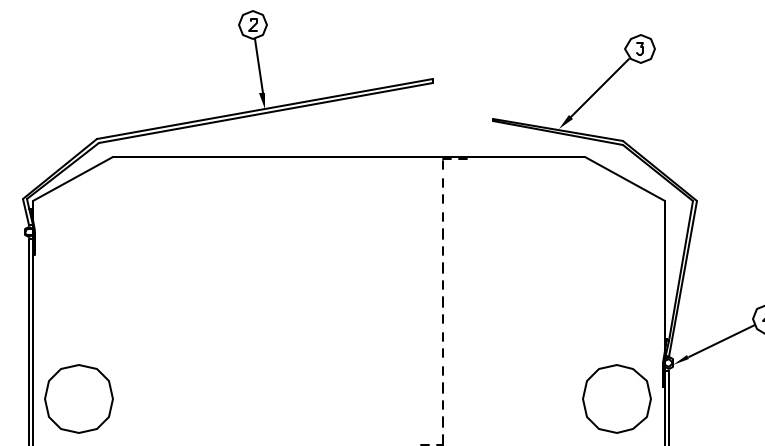
**SIDE VIEW**  
SHOWN WITH DOORS  
IN CLOSED POSITION



**FCW12SP SERIES**  
SCALE 1/4  
SILK SCREEN NOT  
SHOWN



**BOTTOM VIEW**  
SHOWN WITH DOORS  
IN CLOSED POSITION



NOTE: KEY-LOCK, NYLATCH FASTENER  
& D-HOLE PLUG NOT SHOWN

**BOTTOM VIEW**  
SHOWN WITH DOORS IN  
PARTIALLY CLOSED  
POSITION

NOTES:

- CABINET ACCEPTS UP TO 12 MODULAR FSP ADAPTER PANELS.
- FACTORY INSTALLED LOCK ON TECHNICIAN'S SIDE, WITH OPTIONAL LOCK FOR USER'S SIDE.
- CABINET ACCEPTS A MAXIMUM OF FOUR 10" SPLICE TRAYS.
- CABLE ENTRY PORTS ON BOTH TOP AND BOTTOM DESIGNED FOR STACKABLE MOUNTING.
- CABINET IS 16 GA. COLD ROLLED STEEL WITH BLACK ELECTROSTATICALLY APPLIED POWDER COAT.
- ONE SET INSTALLED; AND AN ADDITIONAL SET IS INCLUDED IN THE HARDWARE PACK.
- ITEM NO.'S (10,17,18,19,20,21 & 22) ARE PACKAGED IN HARDWARE PACK
- SPECIFICATIONS SUBJECT TO CHANGE WITHOUT NOTICE.

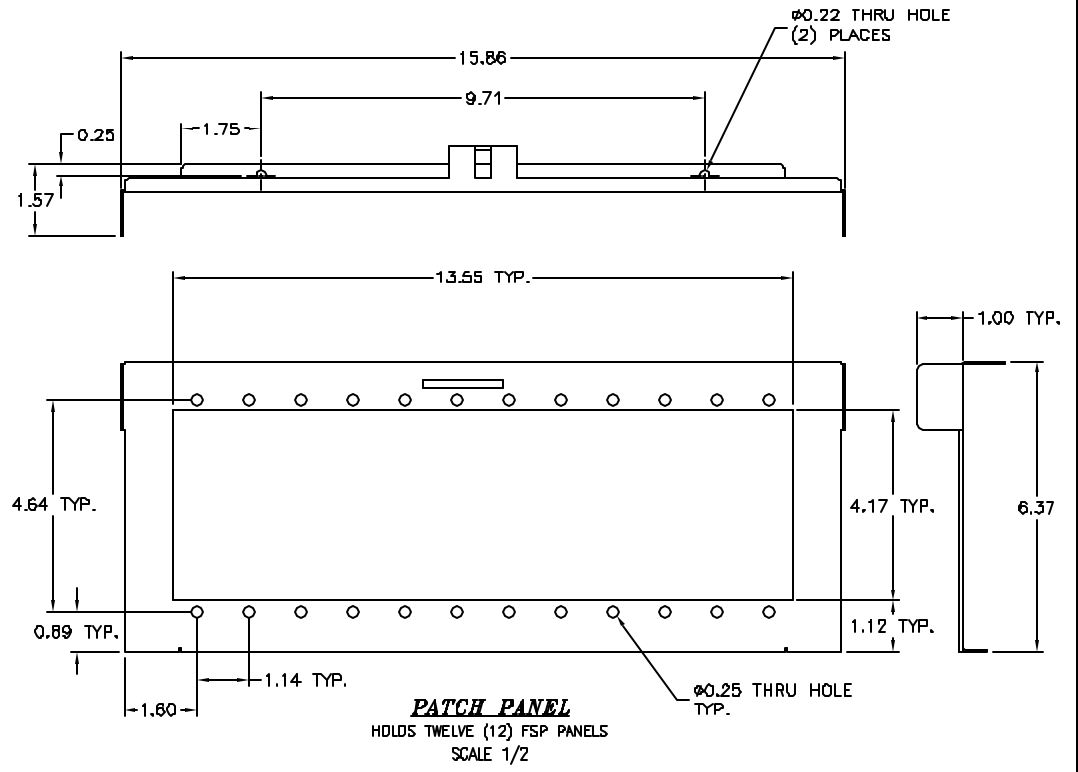
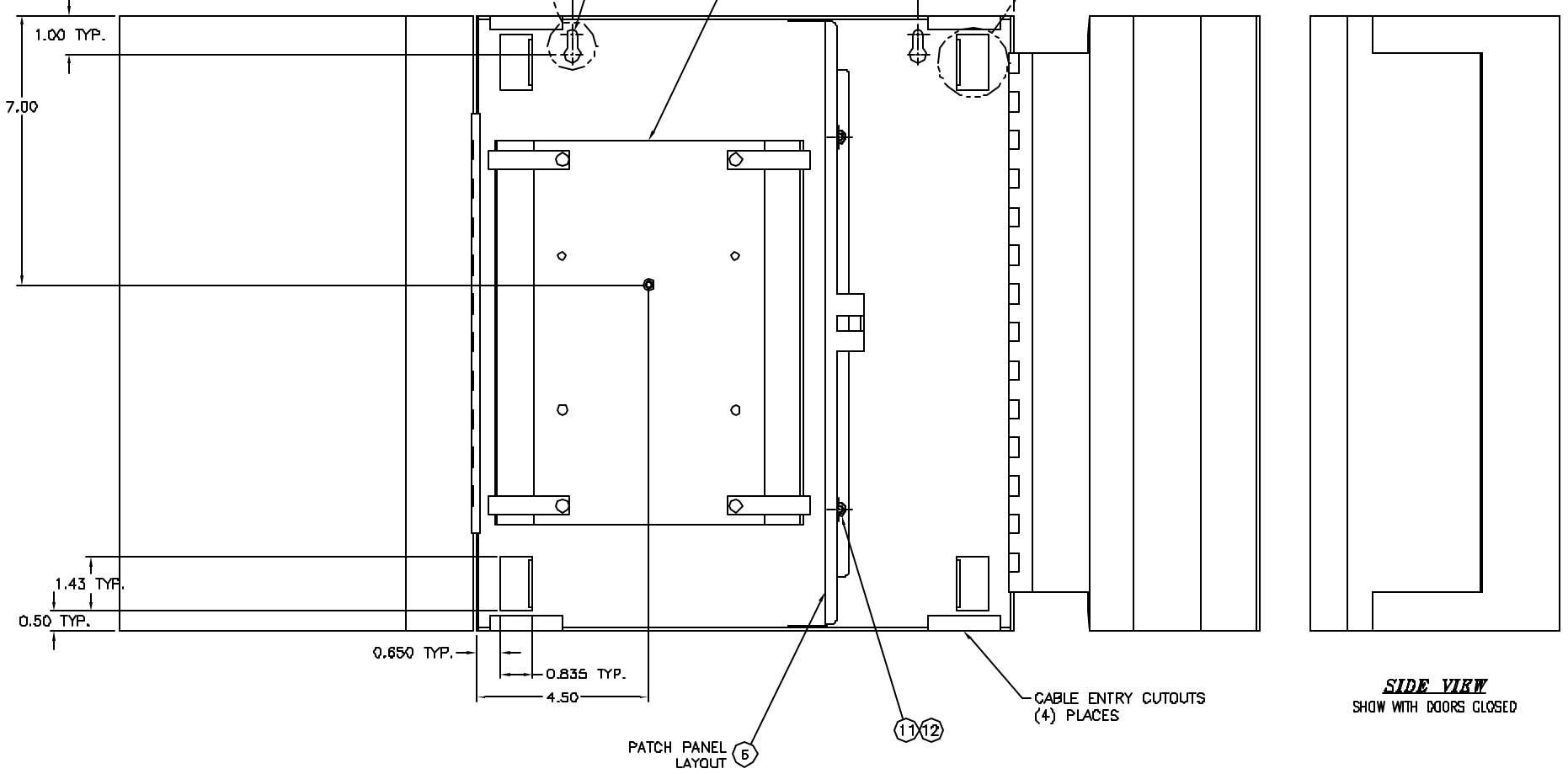
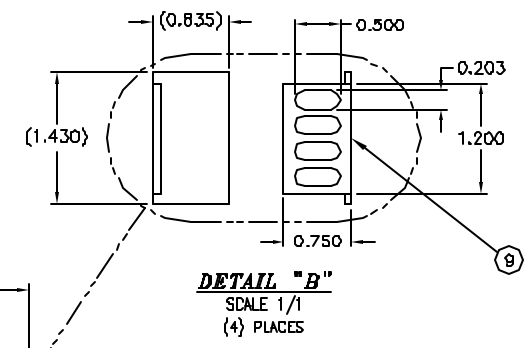
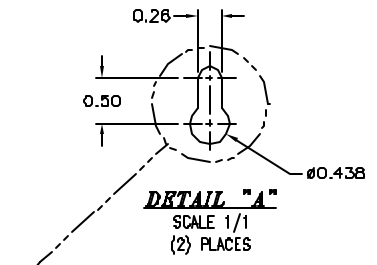
REV.	ECN	DATE	DESCRIPTION	CHG BY	APPD BY
A	4296	01/21/02	INITIAL RELEASE	PSM	JL

Dimensioning and Tolerance per  
ANSI Y14.5M-1993  
UNLESS OTHERWISE SPECIFIED,  
DIMENSIONS ARE IN INCHES (MM).  
TOLERANCES  
.XX = ±.01 (.25)  
.XXX = ±.003 (.127)  
.XXXX = ±.0025 (.0635)  
ANGLE TOL: ±1°  
IN ACCEPTING OUR DRAWINGS,  
BLUEPRINTS, OR SUPPORTING  
DOCUMENTATION FOR QUOTATION  
OR OTHER PURPOSES, YOU AGREE  
NOT TO DISCLOSE TO OTHERS  
THE IDEAS, INFORMATION, OR  
DESIGNS SHOWN HEREIN, AND  
THAT YOU WILL MAKE NO USE  
OF SAME WITHOUT PERMISSION

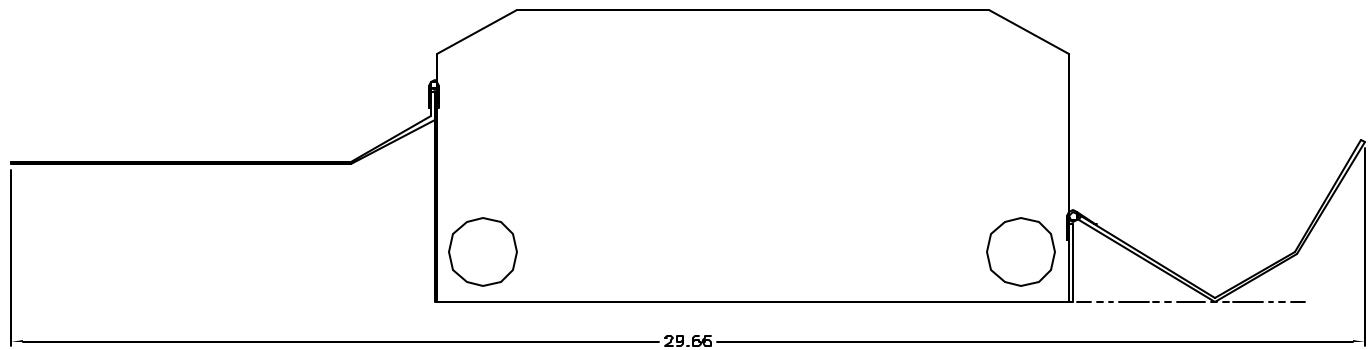
PROJECT REFERENCE:  
MATERIAL:  
DRAWN BY:  
PAUL S. MAGUIRE 01/21/02  
CHECKED BY:  
APPROVED BY:  
JOHN LUTZEN 03/06/02

		<b>Hubbell Premise Wiring</b> HUBBELL INCORPORATED (Delaware) 14 Lord's Hill Road, Skattington, Connecticut 06375	
TITLE:		ASSEMBLY, FCW12SP WALL MOUNT CABINET	
SIZE	DRAWING NO.	REV.	
D	C11111	A	
SCALE:	1/2	SHEET	1 OF 3

ITEM NO.	DESCRIPTION	QTY.
1	FCW12SP CABINET BASE	1
2	PANEL, LEFT DOOR	1
3	PANEL, RIGHT DOOR	1
4	HINGE PIN, DOOR	2
5	PLUG, D-HOLE DOME, DOOR	1
6	PANEL, PATCH	1
7	PLUG, DOME, 1.5" DIAMETER	4
8	CHROME DOOR KEY LOCK	1
9	CABLE TIE-OFF, FOUR SLOTS	4
10	FASTENER, 1/4 TURN, DOOR (INSTALLED)	2
11	NUT WITH LOCK WASHER, SS #10-32	2
12	STANDOFF, THREADED INSERT, SS #10-32	2
13	PANEL, CABLE MANAGEMENT TRAY	1
14	STAND-OFF, THRD INSERT, 10-32, SPLICE TRAY	1
15	O-RING, PLASTIC, WHITE	4
16	RIVOT, O-RING, PLASTIC, BLACK	4
17	GRID LABEL	1
18	DANGER LABEL	1
19	10" WIRE TIE	8
20	THREADED POST	1
21	NYLON WING NUT	1
22	INSTRUCTION SHEET	1



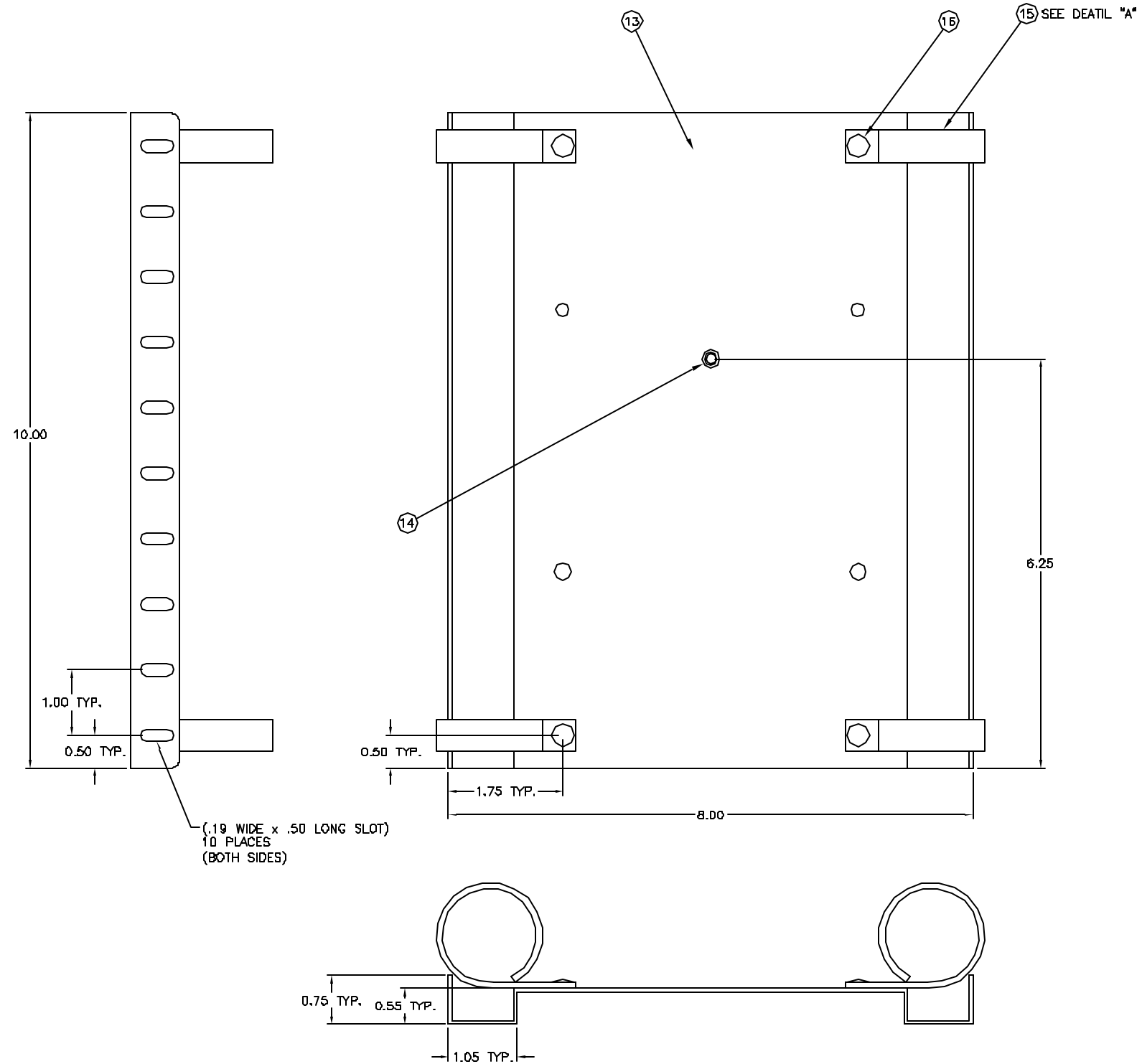
**SIDE VIEW**  
SHOW WITH DOORS CLOSED



NOTE: KEY-LOCK, NYLATCH FASTENER & D-HOLE PLUG NOT SHOWN

TITLE:		ASSEMBLY, FCW12SP WALL MOUNT CABINET	
SIZE	DRAWING NO.	REV.	
D	C11111		A
SCALE:	1/2	SHEET	2 OF 3

ITEM NO.	DESCRIPTION	QTY.
1	FCW12SP CABINET BASE	1
2	PANEL, LEFT DOOR	1
3	PANEL, RIGHT DOOR	1
4	HINGE PIN, DOOR	2
5	PLUG, D-HOLE DOME, DOOR	1
6	PANEL, PATCH	1
7	PLUG, DOME, 1.5" DIAMETER	4
8	CHROME DOOR KEY LOCK	1
9	CABLE TIE-OFF, FOUR SLOTS	4
10	FASTENER, 1/4 TURN, DOOR (INSTALLED)	2
11	NUT WITH LOCK WASHER, SS #10-32	2
12	STANDOFF, THREADED INSERT, SS #10-32	2
13	PANEL, CABLE MANAGEMENT TRAY	1
14	STAND-OFF, THRD INSERT, 10-32, SPLICE TRAY	1
15	O-RING, PLASTIC, WHITE	4
16	RIVOT, O-RING, PLASTIC, BLACK	4
17	GRID LABEL	1
18	ANGER LABEL	1
19	10" WIRE TIE	8
20	THREADED POST	1
21	NYLON WING NUT	1
22	INSTRUCTION SHEET	1



**CABLE MANAGEMENT TRAY ASSEMBLY**

TITLE:		ASSEMBLY, FCW12SP WALL MOUNT CABINET	
SIZE	DRAWING NO.	REV.	
D	C11111	A	
SCALE:	1/1	SHEET	3 OF 3