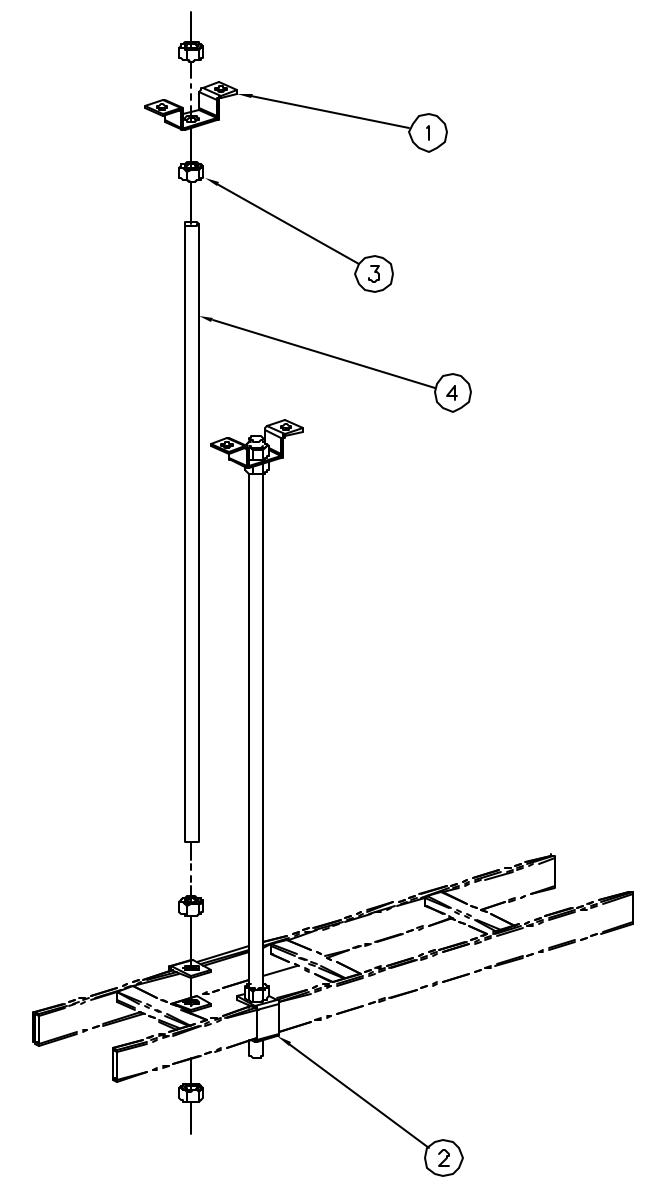
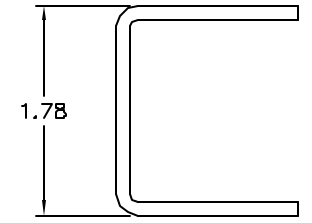
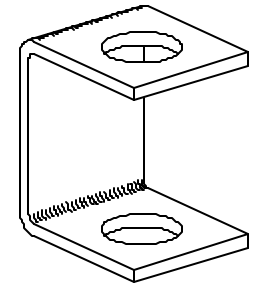
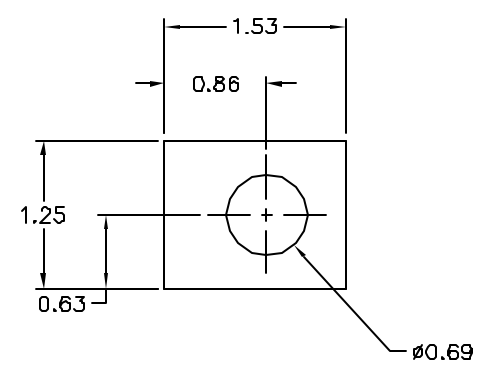
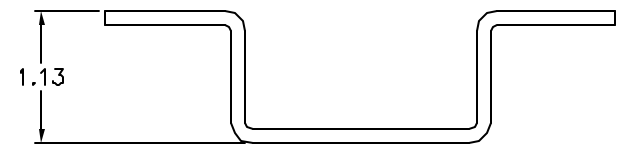
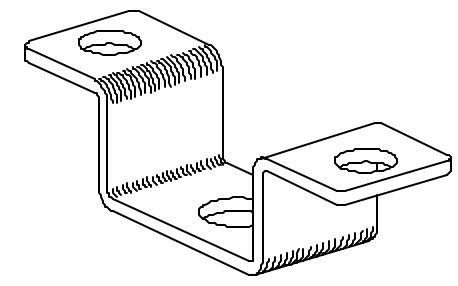
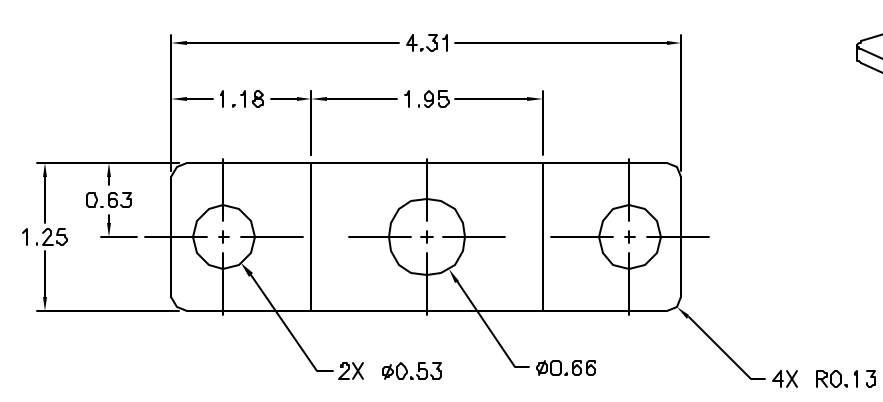


ITEM NO.	DESCRIPTION	QTY.	CATALOG NUMBER	DESCRIPTION
1	CEILING SUPPORT BRACKET	2	HLCMK	CEILING MOUNT KIT
2	LADDER SUPPORT BRACKET	2		
3	5/8"-11 HEX NUTS	8		
4	THREADED ROD, 6 FOOT LONG	2		
5	INSTRUCTION SHEET	1		



NOTES:

- SCOPE: THREADED ROD KIT IS USED TO SUSPEND LADDER RACK FROM THE CEILING.
- SURFACE FINISH: BLACK SMOOTH
- EACH KIT SHOULD CONTAIN:
 - (2) CEILING SUPPORT BRACKET (12Ga. C.R.S)
 - (2) LADDER SUPPORT BRACKET (12Ga. C.R.S)
 - (8) 5/8-11 HEX NUTS
 - (2) THREADED ROD, 6FT. LONG
 - (1) INSTRUCTION SHEET PART NO. 77896801

REV.	ECN	DATE	DESCRIPTION	CHG BY	APPD BY
A	4613	04/23/02	INITIAL RELEASE	PSM	MMA

Created on AUTOCAD

DIMENSIONING AND TOLERANCE PER ANSI Y14.5M-1982 UNLESS OTHERWISE SPECIFIED, DIMENSIONS ARE IN INCHES (MM).
 TOLERANCES
 .XX = ±.01 (.25)
 .XXX = ±.005 (.127)
 .XXXX = ±.0025 (.0635)
 ANGLE TOL ±1°

IN ACCEPTING OUR DRAWINGS, BLUEPRINTS, OR SUPPORTING DOCUMENTATION FOR QUOTATION OR OTHER PURPOSES, YOU AGREE NOT TO DISCLOSE TO OTHERS THE IDEAS, INFORMATION, OR DESIGNS SHOWN HEREIN, AND THAT YOU WILL MAKE NO USE OF SAME WITHOUT PERMISSION

PROJECT REFERENCE:

MATERIAL:

DRAWN BY:
PAUL S. MAGUIRE 04/23/02

CHECKED BY:
M. MAROVIC ABBY 04/29/02

APPROVED BY:
M. MAROVIC ABBY 04/29/02

HUBBELL Hubbell Premise Wiring
 HUBBELL INCORPORATED (Delaware)
 14 Lord's Hill Road, Skyrington, Connecticut 06378

TITLE: RACKS/LADDER RACKS
 CABLE MANAGEMENT
 ASSY, CEILING MOUNTING KIT

SIZE: C DRAWING NO.: C11259

SCALE: 1/1 SHEET 1 OF 1

REV. A