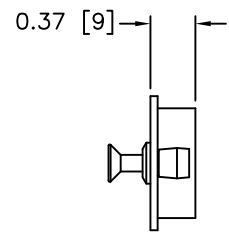
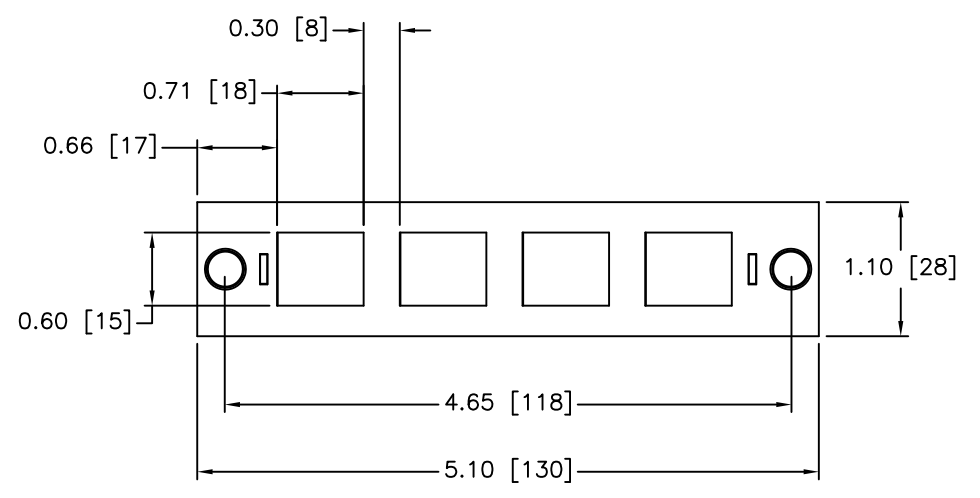
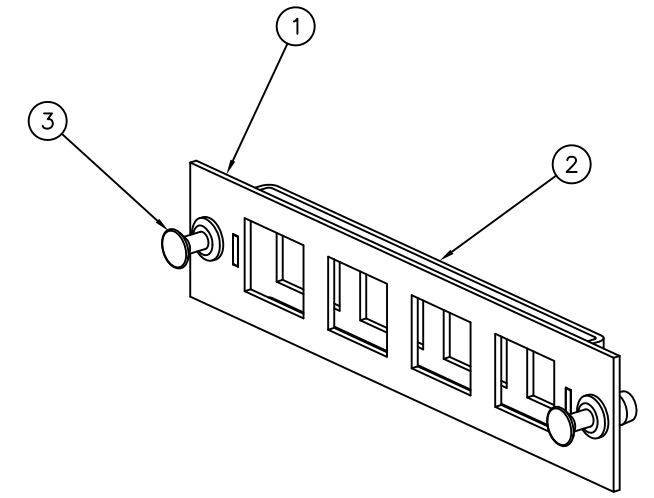
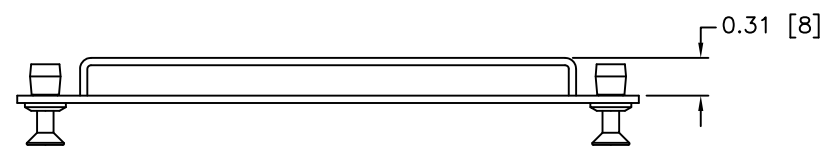


ITEM NO.	DESCRIPTION	QTY.
1	4-PORT FRONT PANEL FOR PACK	1
2	4-PORT REAR PANEL FOR PACK	1
3	NYLATCH PUSH FASTENER	2

CATALOG NUMBER	DESCRIPTION
FSPHD4X	ASSEMBLY, 4 PORT JACK PACK



NOTES:

- SUPPLIED WITH PUSH/PULL FASTENERS FOR EASY INSTALLATION/REMOVAL.
- PANELS FIT INTO HUBBELL WALL MOUNT AND RACK MOUNT CABINETS.
- BLACK ELECTROSTATICALLY APPLIED POWDER COAT.
- SPECIFICATIONS SUBJECT TO CHANGE WITHOUT NOTICE.

REV.	ECN	DATE	DESCRIPTION	CHG BY	APPD BY
B	21492	9/1/16	REMOVED SLOTS	DPO	

Created on AUTOCAD

DIMENSIONING AND TOLERANCE PER ANSI Y14.5M-1982 UNLESS OTHERWISE SPECIFIED, DIMENSIONS ARE IN INCHES (MM).  
 TOLERANCES  
 .XX = ±.01 (.25)  
 .XXX = ±.005 (.127)  
 .XXXX = ±.0025 (.0635)  
 ANGLE TOL ±1°

IN ACCEPTING OUR DRAWINGS, BLUEPRINTS, OR SUPPORTING DOCUMENTATION FOR QUOTATION OR OTHER PURPOSES, YOU AGREE NOT TO DISCLOSE TO OTHERS THE IDEAS, INFORMATION, OR DESIGNS SHOWN HEREIN, AND THAT YOU WILL MAKE NO USE OF SAME WITHOUT PERMISSION


PROJECT REFERENCE:

MATERIAL:  
 .0598" CRS WITH BLACK POWDER COAT FINISH

DRAWN BY:  
 PAUL S. MAGUIRE 01/14/02

CHECKED BY:

APPROVED BY:

 <b>Hubbell Premise Wiring</b> HUBBELL INCORPORATED (Delaware) 23 Clara Drive, Suite 103, Mystic CT 06355		TITLE: ASSEMBLY, 4 PORT JACK-PACK	
		SIZE <b>C</b>	DRAWING NO. <b>C11292</b>
SCALE: 1/1		SHEET 1 OF 1	