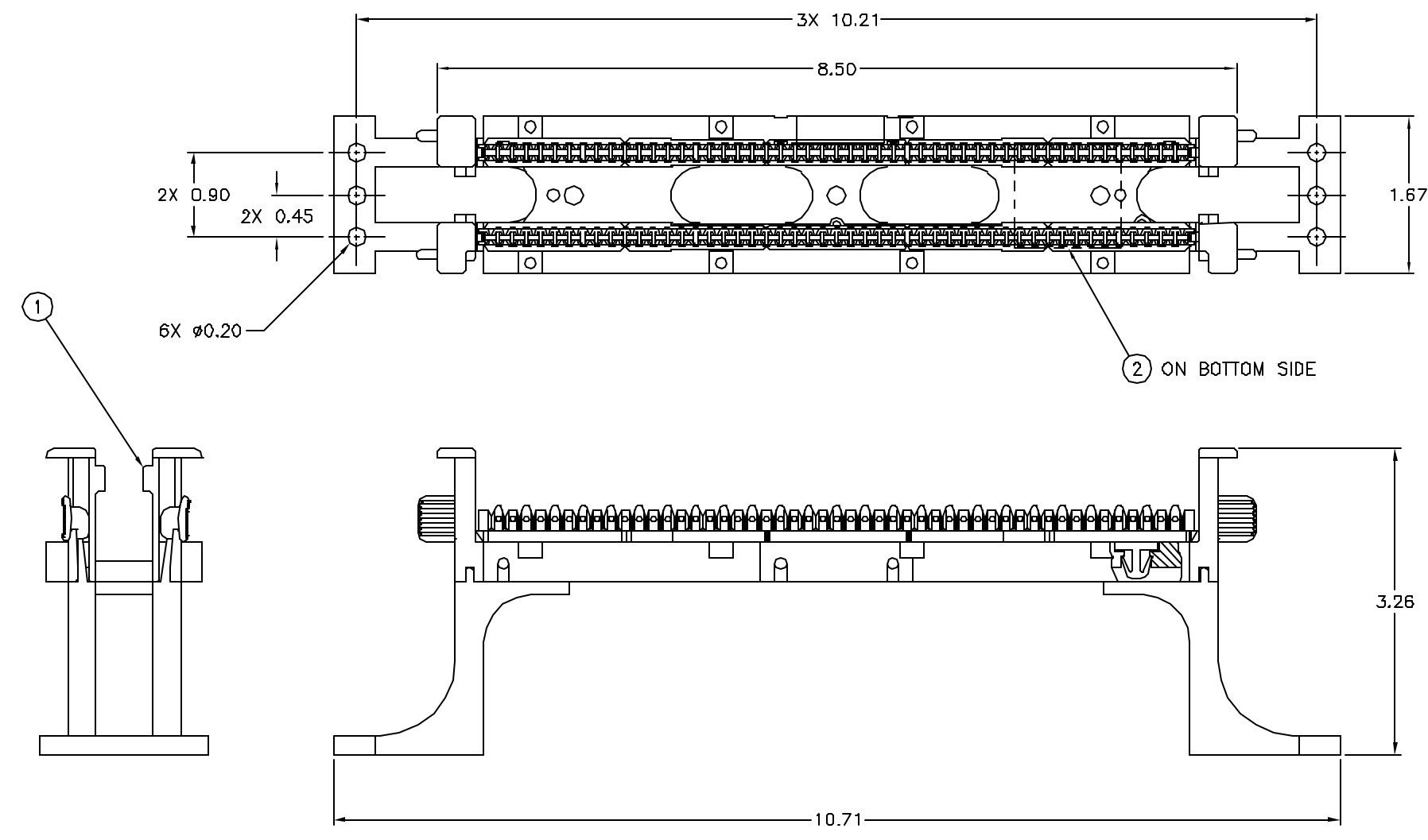



ITEM NO.	DESCRIPTION	QTY.	CATALOG NUMBER	DESCRIPTION
1	110 50-PAIR WIRING BLOCK ASSY W/LEGS	1	110BLK50BWL	110 50-PAIR WIRING BLOCK ASSEMBLY WITH LEGS
2	LABEL	1		



NOTES:

- MATERIAL: FLAME RETARDENT ENGINEERING THERMOPLASTIC
- CATEGORY 5E COMPLIANT PER MSI/TIA/E1A-56B-B.2 COMPONENT AND CHANNEL PERFORMANCE SPECIFICATIONS

Created on AUTOCAD	DIMENSIONING AND TOLERANCE PER ANSI Y14.5M-1982 UNLESS OTHERWISE SPECIFIED, DIMENSIONS ARE IN INCHES (MM). TOLERANCES .XX = ±.01 (.25) .XXX = ±.005 (.127) .XXXX = ±.0025 (.0635) ANGLE TOL ±1°	PROJECT REFERENCE: MATERIAL: DRAWN BY: PAUL S. MAGUIRE 12/17/01 CHECKED BY: APPROVED BY: RAY RODDEN 01/23/02
	IN ACCEPTING OUR DRAWINGS, BLUEPRINTS, OR SUPPORTING DOCUMENTATION FOR QUOTATION OR OTHER PURPOSES, YOU AGREE NOT TO DISCLOSE TO OTHERS THE IDEAS, INFORMATION, OR DESIGNS SHOWN HEREIN, AND THAT YOU WILL MAKE NO USE OF SAME WITHOUT PERMISSION	TITLE: 110 50-PAIR WIRING BLOCK ASSEMBLY WITH LEGS
	REV. ECN DATE DESCRIPTION CHG BY APPD BY	SIZE DRAWING NO. REV.
	A 4293 12/17/01 INITIAL RELEASE PSM R.R.	C C1164701 A

 Hubbell Premise Wiring HUBBELL INCORPORATED (Delaware) 14 Lard's Hill Road, Sturington, Connecticut 06378	
TITLE: 110 50-PAIR WIRING BLOCK ASSEMBLY WITH LEGS	
SIZE C	DRAWING NO. C1164701
SCALE: 1/1	SHEET 1 OF 1

REV.	ECN	DATE	DESCRIPTION	CHG BY	APPD BY
A	4293	12/17/01	INITIAL RELEASE	PSM	R.R.