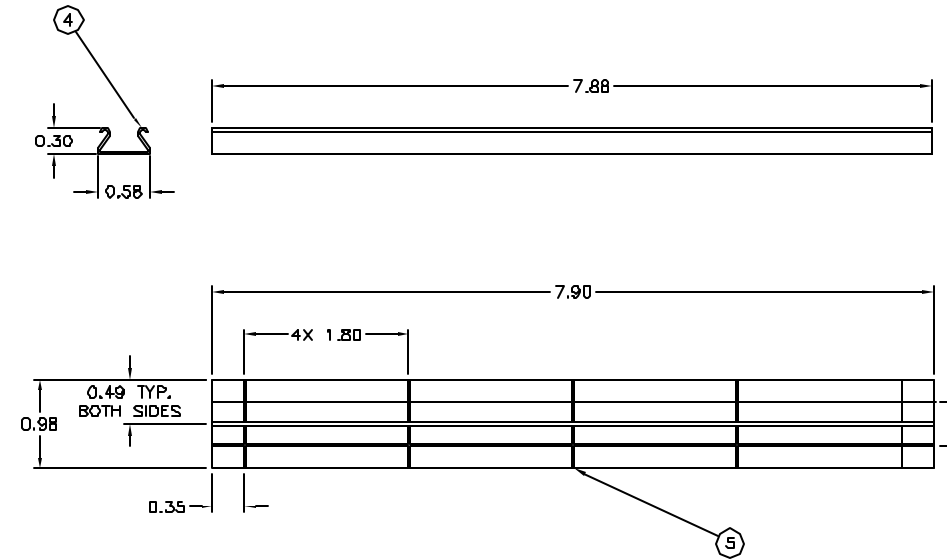
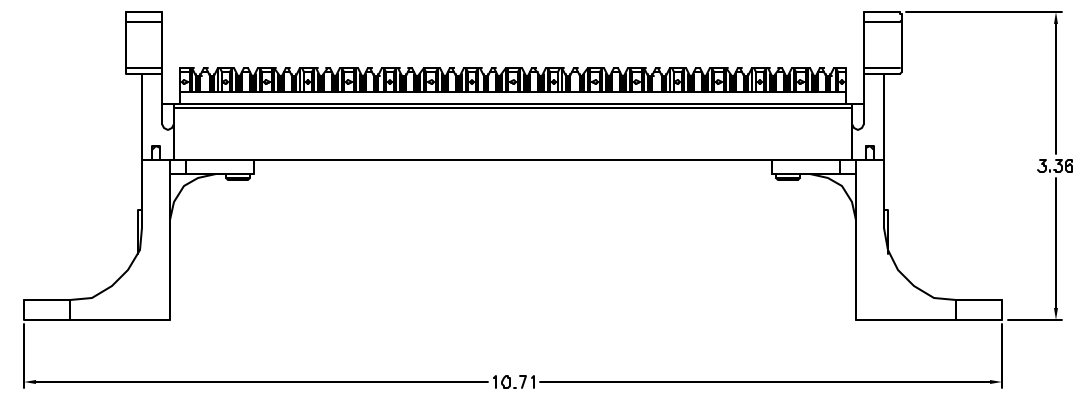
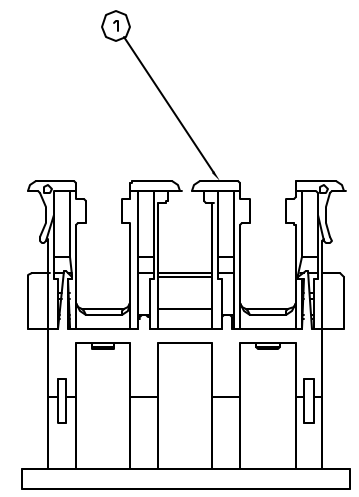
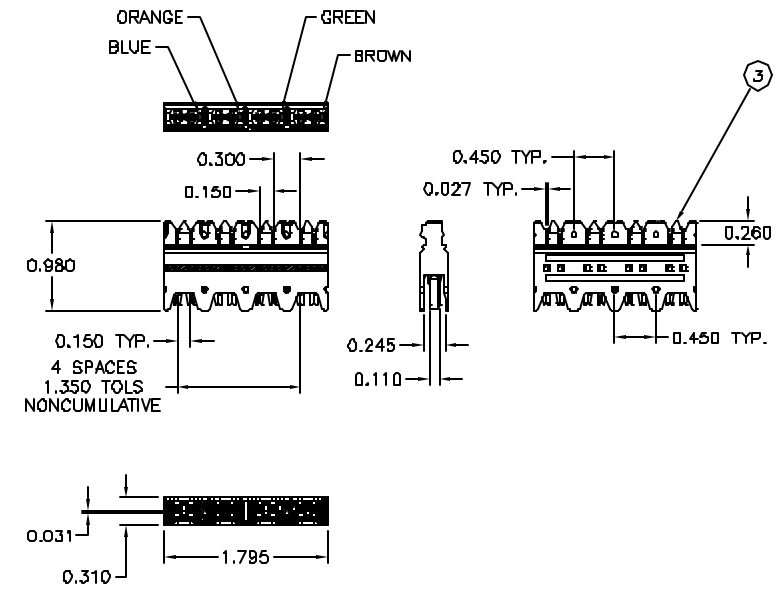
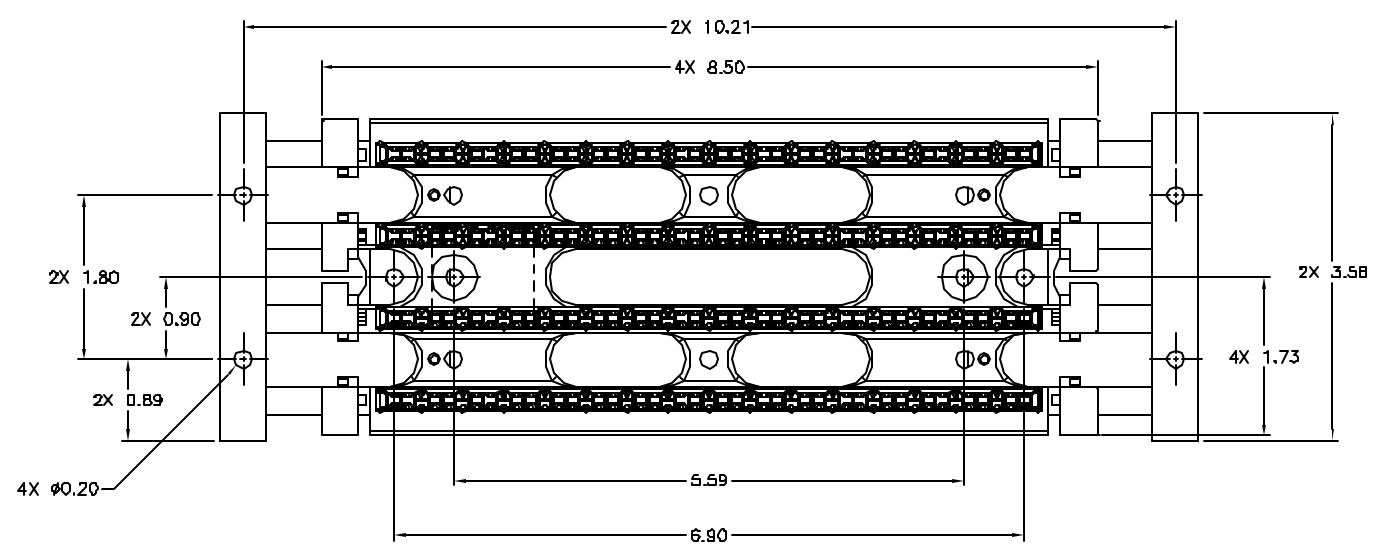


ITEM NO.	DESCRIPTION	QTY.
1	6110 64-PAIR WIRING BLOCK ASSY W/LEGS	1
2	6110 4-PAIR CONNECTING BLOCK	16
3	WIRING BLOCK LABEL HOLDER	2
4	6110 LABEL CARD	2

CATALOG NUMBER	DESCRIPTION
611DFTK64WL	6110 64-PAIR TERMINATION KIT 4-PAIR BLOCKS W/LEGS



NOTES:
 1. MEETS PROPOSED TIA/E1A AND ISO/IEC CATEGORY 6 CHANNEL PERFORMANCE WHEN USED IN CONJUNCTION WITH THE "NEXT SPEED" CAT 6 SYSTEM (NS6-110) AND APPROVED CABLES.

REV.	EGN	DATE	DESCRIPTION	CHG BY	APPD BY
A	4293	11/28/01	INITIAL RELEASE	PSM	R.R.

Dimensioning and tolerance per ANSI Y14.5M-1992 UNLESS OTHERWISE SPECIFIED, DIMENSIONS ARE IN INCHES (MM).
 TOLERANCES
 .XX = ±0.1 (.25)
 .XXX = ±0.005 (.127)
 .XXXX = ±0.0025 (.0635)
 ANGLE TOL. ±1°

IN ACCEPTING OUR DRAWINGS, BLUEPRINTS, OR SUPPORTING DOCUMENTATION FOR QUOTATION OR OTHER PURPOSES, YOU AGREE NOT TO DISCLOSE TO OTHERS THE IDEAS, INFORMATION, OR DESIGNS SHOWN HEREIN, AND THAT YOU WILL MAKE NO USE OF SAME WITHOUT PERMISSION.

PROJECT REFERENCE:
 MATERIAL:
 DRAWN BY:
 PAUL S. MAGUIRE 11/28/01
 CHECKED BY:
 APPROVED BY:
 RAY RODDEN 01/23/02

Hubbell Premise Wiring
 HUBBELL INCORPORATED (Dairymont)
 14 Lord's Hill Road, Shelton, Connecticut 06484

TITLE: 6110 64-PAIR TERMINATION KIT WITH 4-PAIR BLOCKS WITH LEGS

SIZE: D DRAWING NO. C1164807

SCALE: FULL SHEET 1 OF 1

REV. A