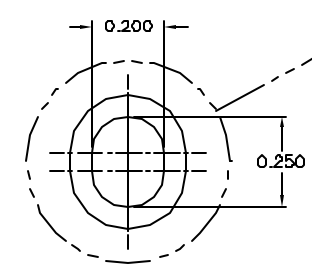
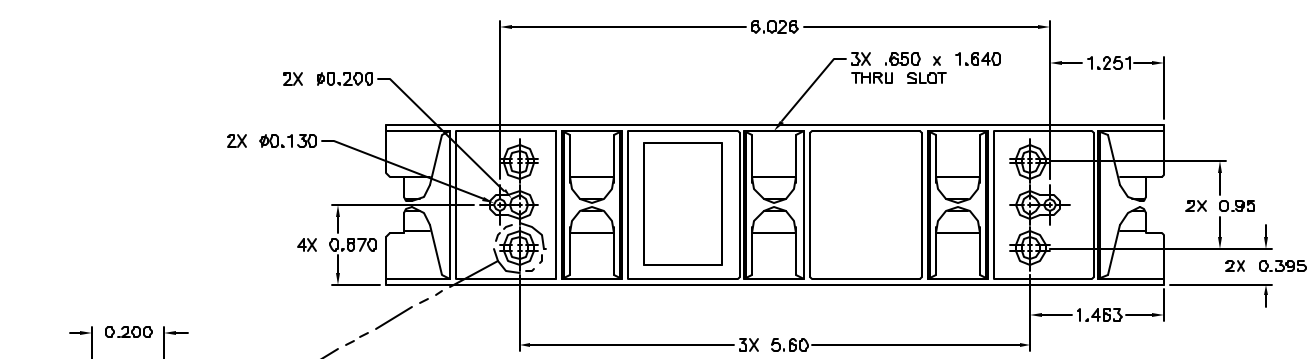
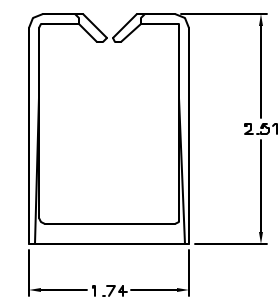
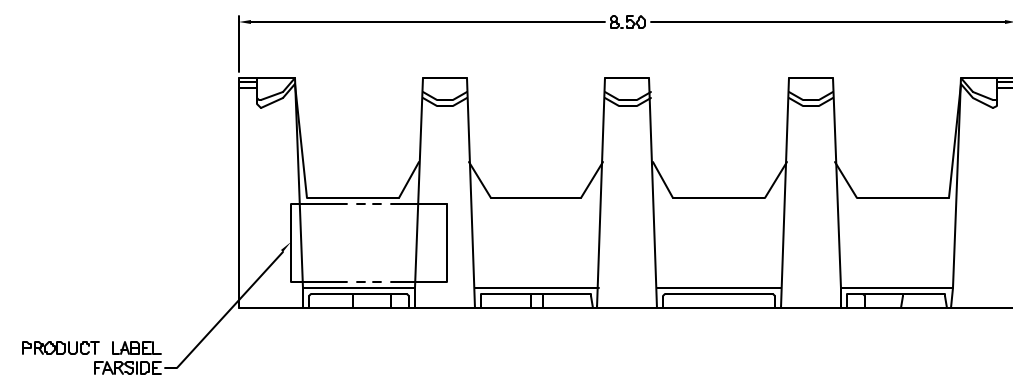
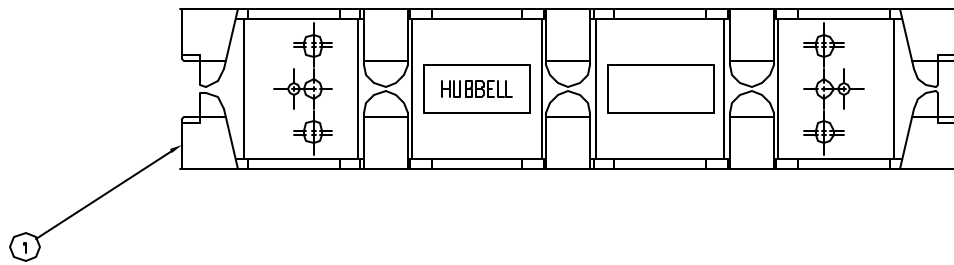


ITEM NO.		DESCRIPTION		QTY.		CATALOG NUMBER		DESCRIPTION	
1		CABLE MANAGEMENT THROUGH		1		110TRB		CABLE MANAGEMENT THROUGH WITHOUT LEGS	



THRU SLOT  
(4) PLACES  
SCALE = 4/1


NOTES:  
1. MATERIAL: FLAME RETARDANT ENGINEERING THERMOPLASTIC.

A	4293	12/14/01	INITIAL RELEASE	PSM	R.R.
REV.	ECN	DATE	DESCRIPTION	CHG BY	APPD BY

Dimensioning and tolerance per  
ANSI Y14.5M-1989  
UNLESS OTHERWISE SPECIFIED,  
DIMENSIONS ARE IN INCHES (MM).  
TOLERANCES  
.XX = ±.01 (.25)  
XXX = ±.005 (.127)  
XXXX = ±.0025 (.0635)  
ANGLE TOL. ±1°

IN ACCEPTING OUR DRAWINGS,  
BLUEPRINTS, OR SUPPORTING  
DOCUMENTATION FOR QUOTATION  
OR OTHER PURPOSES, YOU AGREE  
NOT TO DISCLOSE TO OTHERS  
THE IDEAS, INFORMATION, OR  
DESIGNS SHOWN HEREIN, AND  
THAT YOU WILL MAKE NO USE  
OF SAME WITHOUT PERMISSION

PROJECT REFERENCE:  
MATERIAL:  
DRAWN BY:  
PAUL S. MAGLARE 12/14/01  
CHECKED BY:  
APPROVED BY:  
RAY RODDEN 01/23/02



**Hubbell Premise Wiring**  
HUBBELL INCORPORATED (Delaware)  
14 Lord's Hill Road, Skattington, Connecticut 06375

TITLE: CABLE MANAGEMENT THROUGH WITHOUT LEGS

SIZE: D DRAWING NO. C1164901 REV. A

SCALE: FULL SHEET 1 OF 1