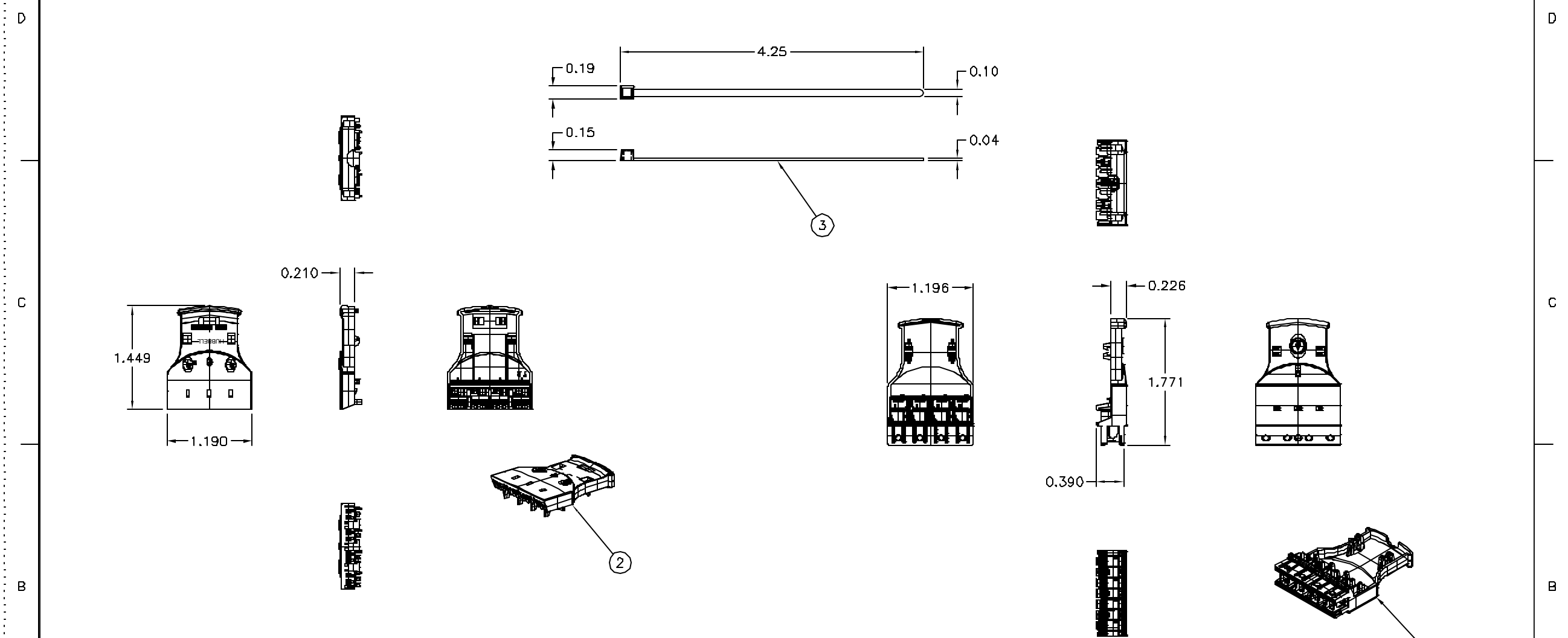


ITEM NO.	DESCRIPTION	QTY.	CATALOG NUMBER	DESCRIPTION
1	PLUG, BOTTOM ASSEMBLY	1	110FPP4PR	110 4-PAIR PATCH PLUG FIELD TERMINATED
2	PLUG, TOP COVER	1		
3	CABLE TIE	1		



NOTES:

1. CATEGORY 5E COMPLIANT PER MSI/TIA/E1A-568-B.2 COMPONENT AND CHANNEL PERFORMANCE SPECIFICATIONS.
2. PLUG BOTTOM AND TOP COVER MATERIAL: FLAME RETARDENT ENGINEERING THERMOPLASTIC, GRAY TRANSLUCENT.
3. TUBE MATERIAL: PVC, CLEAR.
4. CONTACT MATERIAL: COPPER ALLOY WITH 100 MICRONS MIN. NICKEL PLATING.
5. SEE INSTRUCTIONS FOR FIELD TERMINATION PROCEDURE.
6. USE 28 OR 24 AWG 7-STRAND OR SOLID TWISTED-PAIR CABLE.

REV.	ECN	DATE	DESCRIPTION	CHG BY	APPD BY
A	4392	12/14/01	INITIAL RELEASE	PSM	R.R.

Created on AUTOCAD

DIMENSIONING AND TOLERANCE PER ANSI Y14.5M-1982 UNLESS OTHERWISE SPECIFIED, DIMENSIONS ARE IN INCHES (MM).
 TOLERANCES
 .XX = ±.01 (.25)
 .XXX = ±.005 (.127)
 .XXXX = ±.0025 (.0635)
 ANGLE TOL ±1°

IN ACCEPTING OUR DRAWINGS, BLUEPRINTS, OR SUPPORTING DOCUMENTATION FOR QUOTATION OR OTHER PURPOSES, YOU AGREE NOT TO DISCLOSE TO OTHERS THE IDEAS, INFORMATION, OR DESIGNS SHOWN HEREIN, AND THAT YOU WILL MAKE NO USE OF SAME WITHOUT PERMISSION

PROJECT REFERENCE:

MATERIAL:

DRAWN BY:
PAUL S. MAGUIRE 12/14/01

CHECKED BY:

APPROVED BY:
RAY RODDEN 01/23/02

HUBBELL Hubbell Premise Wiring
 HUBBELL INCORPORATED (Delaware)
 14 Lord's Hill Road, Skyrington, Connecticut 06378

TITLE:
110 4-PAIR PATCH PLUG
FIELD TERMINATED

SIZE C DRAWING NO. C1165305 REV. A

SCALE: 1/1 SHEET 1 OF 1