

6

5

4

3

2

1

CATALOG NUMBER	DESCRIPTION
PR10120	19" RACKMOUNT POWER STRIP, BLACK, 10 OUTLETS

NOTES:

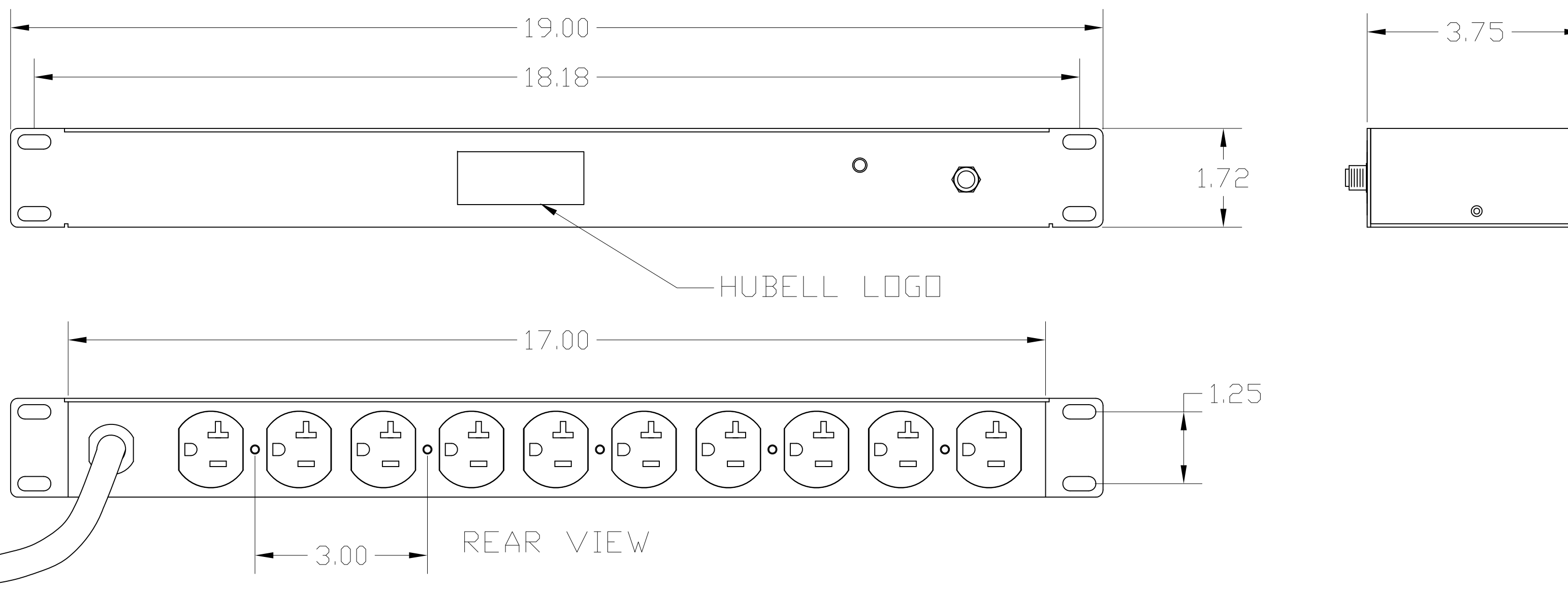
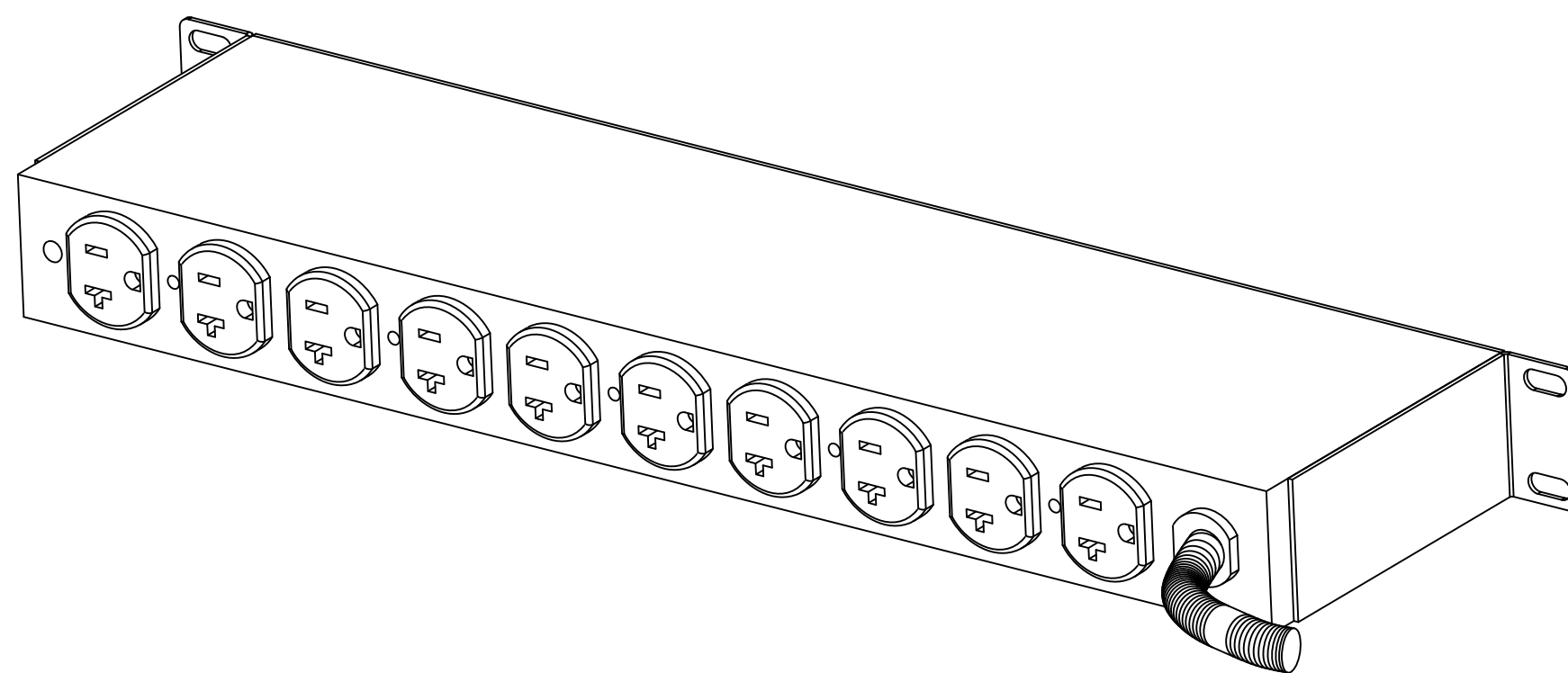
- 1. KIT SHOULD CONTAIN:
 - (1) 19" HORIZONTAL RACK MOUNT PER TABULATED SPECIFICATIONS.
 - (1) HARDWARE PACK MOUNTING SCREWS, BAGGED W/WASHER
 - (1) INSTALLATION INSTRUCTIONS

2. SURFACE FINISH: BLACK

3. SPECIFICATIONS

OUTPUT RATING: 125V, 20A, 2500WATTS, 50/60 Hz
 RECEPTACLES (10): NEMA5-20R
 FEATURES: 10FT 3/4 SJT POWER CORD WITH 5-20P PLUG
 NO POWER SWITCH

4. SPECIFICATIONS SUBJECT TO CHANGE WITHOUT NOTICE



REV.	ECN	DATE	DESCRIPTION	CHG BY	APPD BY
1	22457	10/10/17	INITIAL RELEASE	MMA	DO

Created on AUTOCAD

DIMENSIONING AND TOLERANCE PER ANSI Y14.5M-1982 UNLESS OTHERWISE SPECIFIED, DIMENSIONS ARE IN INCHES (MM).
 TOLERANCES
 .XX = ±.01 (.25)
 .XXX = ±.005 (.127)
 .XXXX = ±.0025 (.0635)
 ANGLE TOL ±1°

IN ACCEPTING OUR DRAWINGS, BLUEPRINTS, OR SUPPORTING DOCUMENTATION FOR QUOTATION OR OTHER PURPOSES, YOU AGREE NOT TO DISCLOSE TO OTHERS THE IDEAS, INFORMATION, OR DESIGNS SHOWN HEREIN, AND THAT YOU WILL MAKE NO USE OF SAME WITHOUT PERMISSION

PROJECT REFERENCE:
PMS512

MATERIAL:
HEAVY STEEL

DRAWN BY:
MMA 10/10/17

CHECKED BY:

APPROVED BY:

		Hubbell Premise Wiring HUBBELL INCORPORATED (Delaware) 14 Lord's Hill Road, Stonington, Connecticut 06378	
TITLE: 19" RACKMOUNT POWER STRIP, BLACK			
10 OUTLETS - 20A, 125VAC			
SIZE	DRAWING NO.		REV.
C	11679C		1
SCALE: NTS		SHEET	1 OF 1