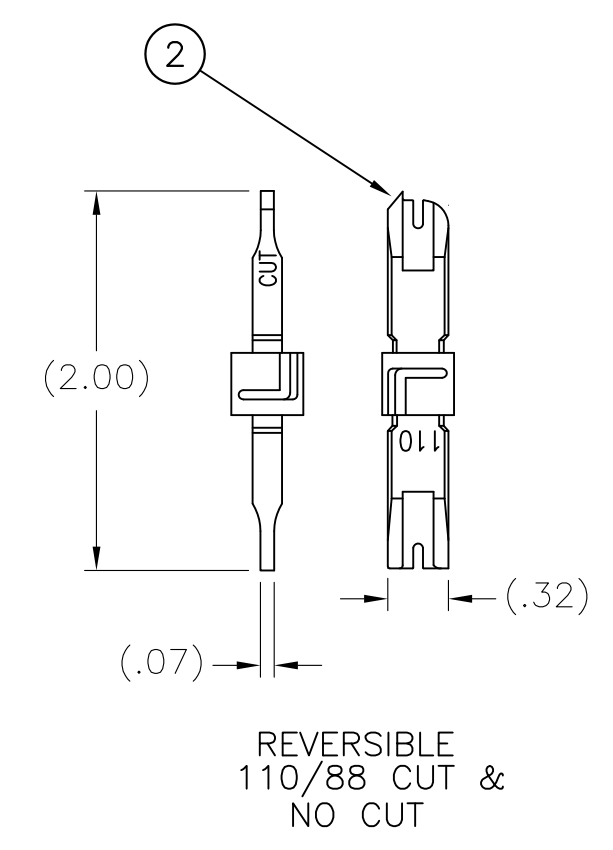
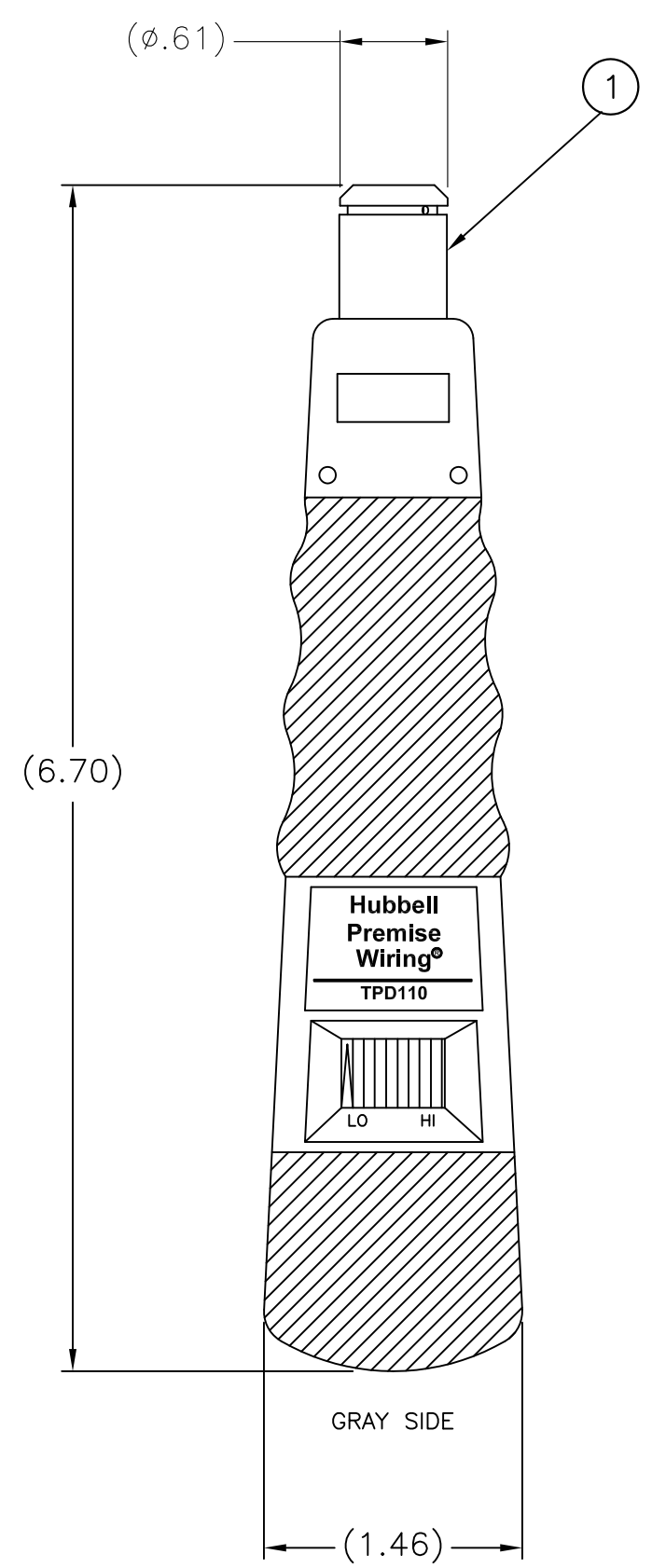
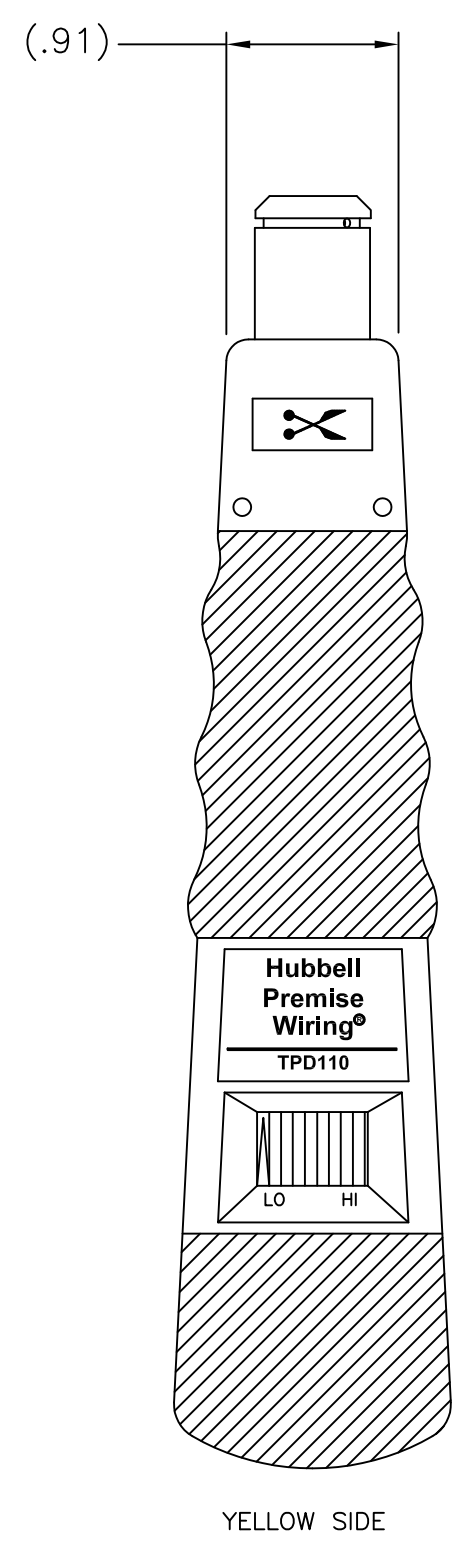



ITEM NO.	DESCRIPTION	QTY.	CATALOG NO.	DESCRIPTION
1	PUNCHDOWN TOOL HANDLE	1	TPD110	ASSEMBLY, PUNCHDOWN TOOL WITH 110 BLADE
2	BLADE, 110 CUT/NO CUT	1		
3	INSTRUCTION SHEET (NOT SHOWN)	1		



- NOTES:
1. FOR TERMINATING 28-22 AWG SOLID/STRANDED WIRE
  2. ADJUSTABLE HIGH AND LOW IMPACT SETTINGS
  3. SPECIFICATIONS SUBJECT TO CHANGE WITHOUT PRIOR NOTICE.

Created on AUTOCAD	DIMENSIONING AND TOLERANCE PER ANSI Y14.5M-1982 UNLESS OTHERWISE SPECIFIED, DIMENSIONS ARE IN INCHES (MM). TOLERANCES .XX = ±.01 (.25) .XXX = ±.005 (.127) .XXXX = ±.0025 (.0635) ANGLE TOL ±1°		PROJECT REFERENCE: <b>PMS 0109</b>		 <b>Hubbell Premise Wiring</b> HUBBELL INCORPORATED (Delaware) 14 Lord's Hill Road, Stonington, Connecticut 06378		
	IN ACCEPTING OUR DRAWINGS, BLUEPRINTS, OR SUPPORTING DOCUMENTATION FOR QUOTATION OR OTHER PURPOSES, YOU AGREE NOT TO DISCLOSE TO OTHERS THE IDEAS, INFORMATION, OR DESIGNS SHOWN HEREIN, AND THAT YOU WILL MAKE NO USE OF SAME WITHOUT PERMISSION		MATERIAL:  N/A			TITLE: <b>ASSEMBLY, PUNCHDOWN TOOL WITH 110 BLADE</b>	
			DRAWN BY: J. RUOT-JACKSON 8/5/16 / N. HERRING		SIZE: <b>C</b>	DRAWING NO.: <b>11755C</b>	REV.: <b>1</b>
			CHECKED BY:		SCALE: <b>NTS</b>		SHEET <b>1</b> OF <b>1</b>
		APPROVED BY:					

REV.	ECN	DATE	DESCRIPTION	CHG BY	APPD BY
1	21405	08/05/16	INITIAL RELEASE	JJRJ	MMA