

6

5

4

3

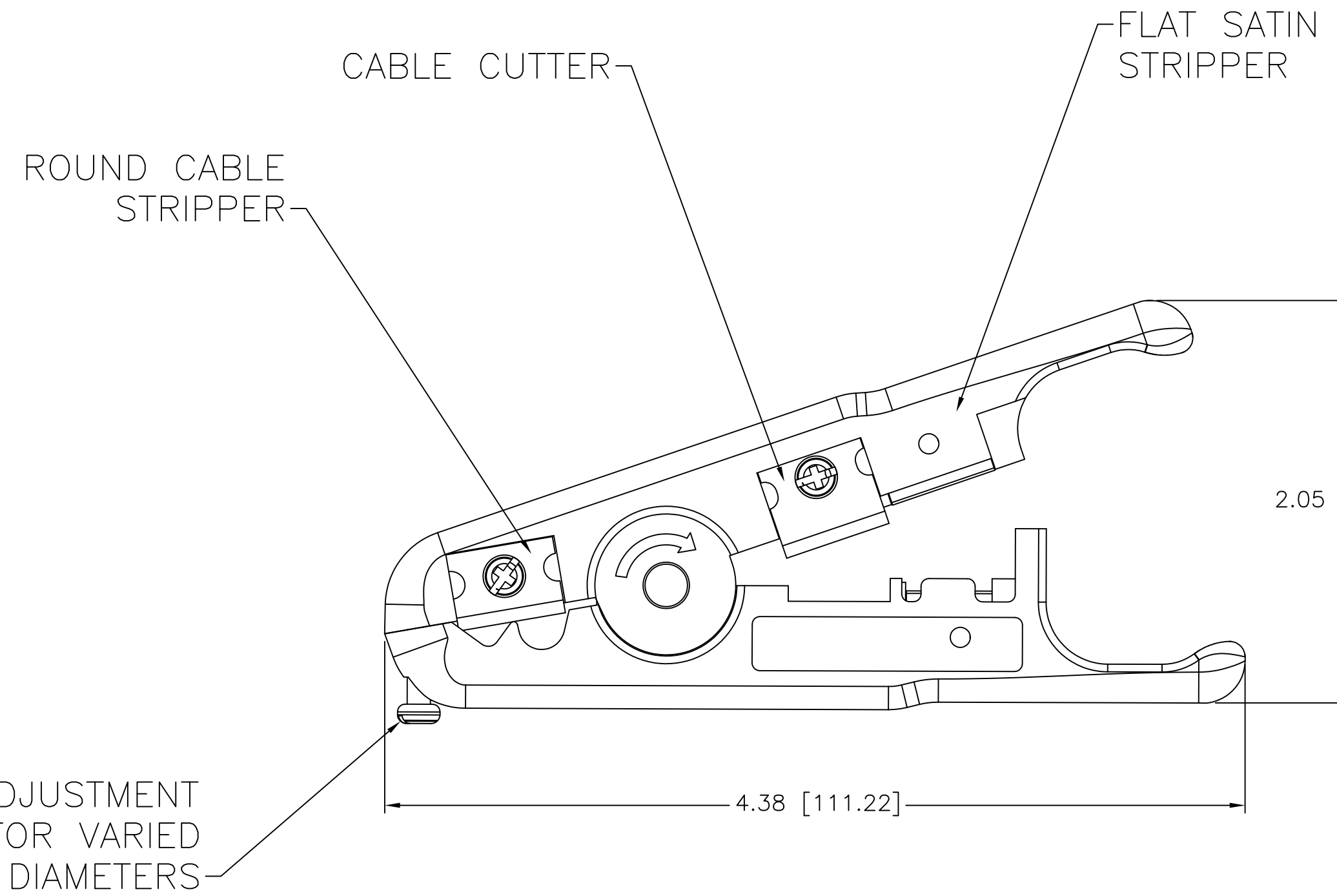
2

1

CATALOG NO.	DESCRIPTION
TCS3	STRIPPER/CUTTER/SLITTER FOR UTP CABLE

D

D



C

C

B


B

NOTES:

- TCS3 INCLUDES:
 - (1) UTP CABLE STRIPPER/CUTTER
 - (1) INSTRUCTION SHEET
- MATERIAL: PLASTIC BODY
- COLOR: YELLOW
- USED FOR:
 - STRIPPING ROUND CAT 5e AND 6 UTP/STP (DIAMETERS 0.145" TO 0.275")
 - CUTTING CABLE, UP TO 0.350"
- SPECIFICATIONS SUBJECT TO CHANGE WITHOUT PRIOR NOTICE.

A

A

Created on AUTOCAD	DIMENSIONING AND TOLERANCE PER ANSI Y14.5M-1982 UNLESS OTHERWISE SPECIFIED, DIMENSIONS ARE IN INCHES (MM). TOLERANCES .XX = ±.01 (.25) .XXX = ±.005 (.127) .XXXX = ±.0025 (.0635) ANGLE TOL ±1°		PROJECT REFERENCE: PMS 0109		 Hubbell Premise Wiring HUBBELL INCORPORATED (Delaware) 14 Lord's Hill Road, Stonington, Connecticut 06378	
			MATERIAL: SEE NOTES			
	IN ACCEPTING OUR DRAWINGS, BLUEPRINTS, OR SUPPORTING DOCUMENTATION FOR QUOTATION OR OTHER PURPOSES, YOU AGREE NOT TO DISCLOSE TO OTHERS THE IDEAS, INFORMATION, OR DESIGNS SHOWN HEREIN, AND THAT YOU WILL MAKE NO USE OF SAME WITHOUT PERMISSION		DRAWN BY: J.RU0T-JACKSON 7/28/16 / N. HERRING		TITLE: STRIPPER/CUTTER/SLITTER UTP CABLE	
			CHECKED BY:		SIZE: C	DRAWING NO.: 11759C
		APPROVED BY:		SCALE: NTS		SHEET 1 OF 1

1	21405	07/28/16	INITIAL RELEASE	JJRJ	MMA
REV.	ECN	DATE	DESCRIPTION	CHG BY	APPD BY