

6

5

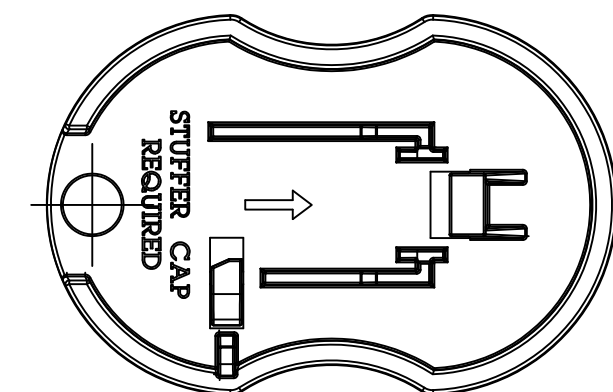
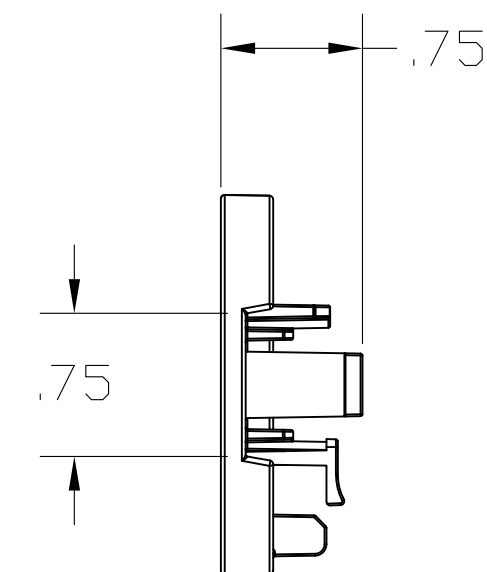
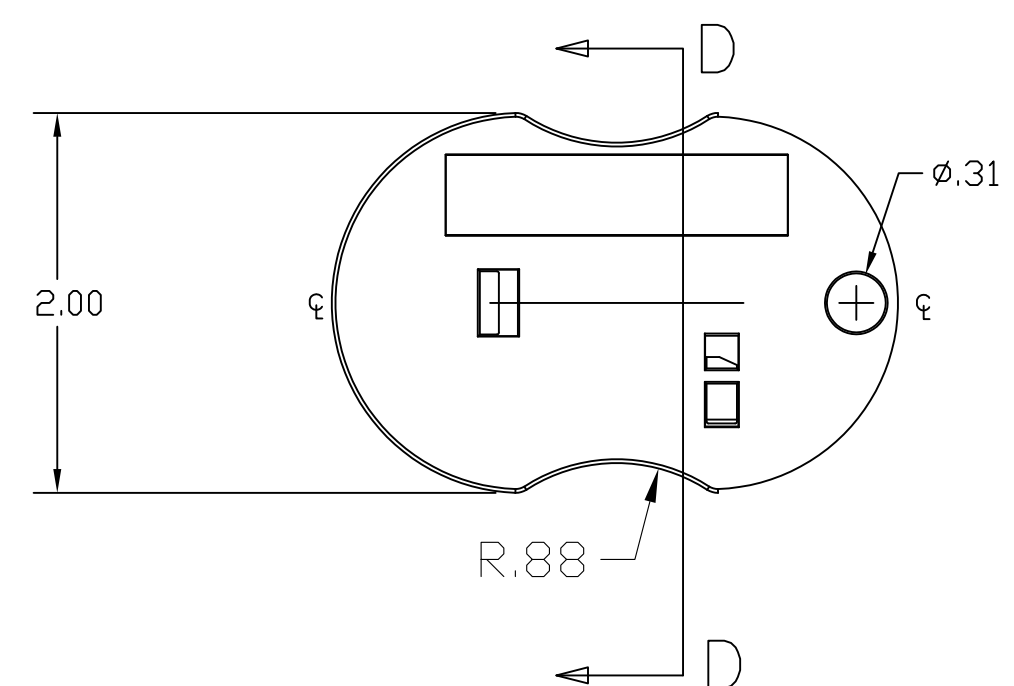
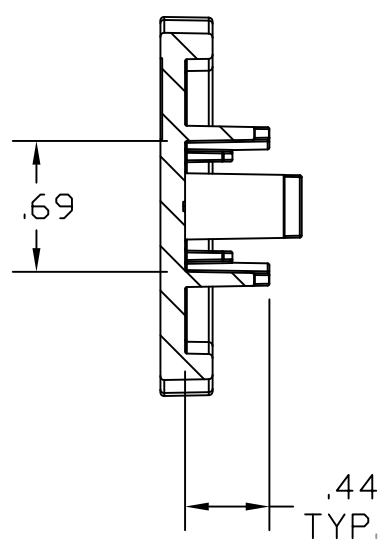
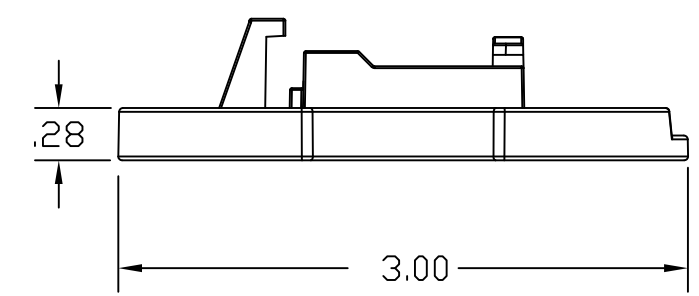
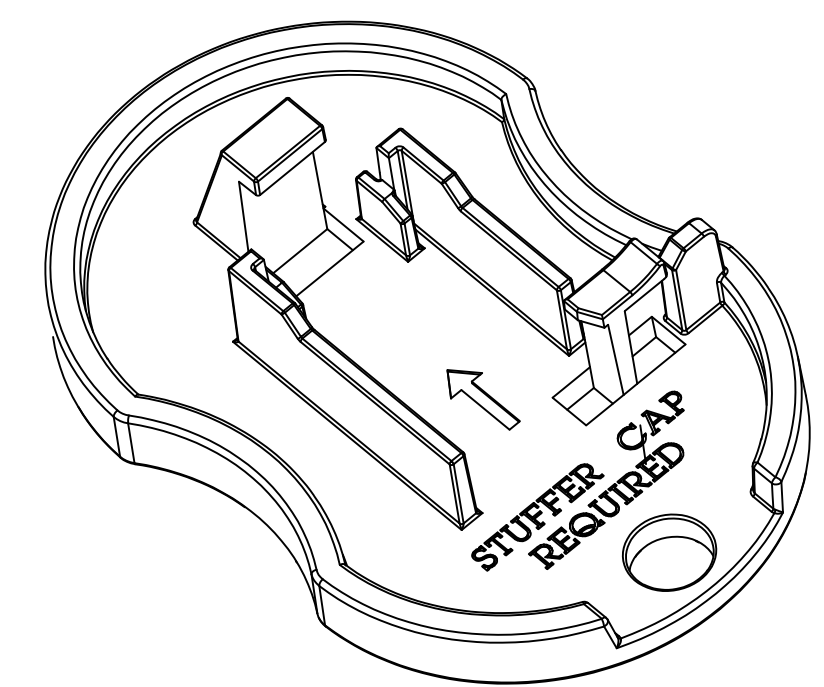
4

3

2

1

CATALOG NO	DESCRIPTION	COLOR
HXTP25	HAND TERMINATION AID FOR JACKS, 25 PACK	YELLOW



SECTION D-D

- NOTES:
1. KIT CONTAINS (25) PUCKS.
 2. WORKS WITH HXJxx JACKS
 3. SPECIFICATIONS SUBJECT TO CHANGE WITHOUT PRIOR NOTICE

1	21405	08/08/16	INITIAL RELEASE	JJRJ	MMA
REV.	ECN	DATE	DESCRIPTION	CHG BY	APPD BY

Created on AUTOCAD

DIMENSIONING AND TOLERANCE PER ANSI Y14.5M-1982 UNLESS OTHERWISE SPECIFIED, DIMENSIONS ARE IN INCHES (MM).
 TOLERANCES
 .XX = ±.01 (.25)
 .XXX = ±.005 (.127)
 .XXXX = ±.0025 (.0635)
 ANGLE TOL ±1°

IN ACCEPTING OUR DRAWINGS, BLUEPRINTS, OR SUPPORTING DOCUMENTATION FOR QUOTATION OR OTHER PURPOSES, YOU AGREE NOT TO DISCLOSE TO OTHERS THE IDEAS, INFORMATION, OR DESIGNS SHOWN HEREIN, AND THAT YOU WILL MAKE NO USE OF SAME WITHOUT PERMISSION

PROJECT REFERENCE:
PMS 519.2

MATERIAL:
POLYPROPYLENE

DRAWN BY:
J.RUOT-JACKSON 8/8/16 / D. OCONNOR

CHECKED BY:

APPROVED BY:

		Hubbell Premise Wiring HUBBELL INCORPORATED (Delaware) 14 Lord's Hill Road, Stonington, Connecticut 06378	
TITLE: XJ TERMINATOR AID			
SIZE: C	DRAWING NO. 11771C		REV. 1
SCALE: NTS		SHEET 1 OF 1	