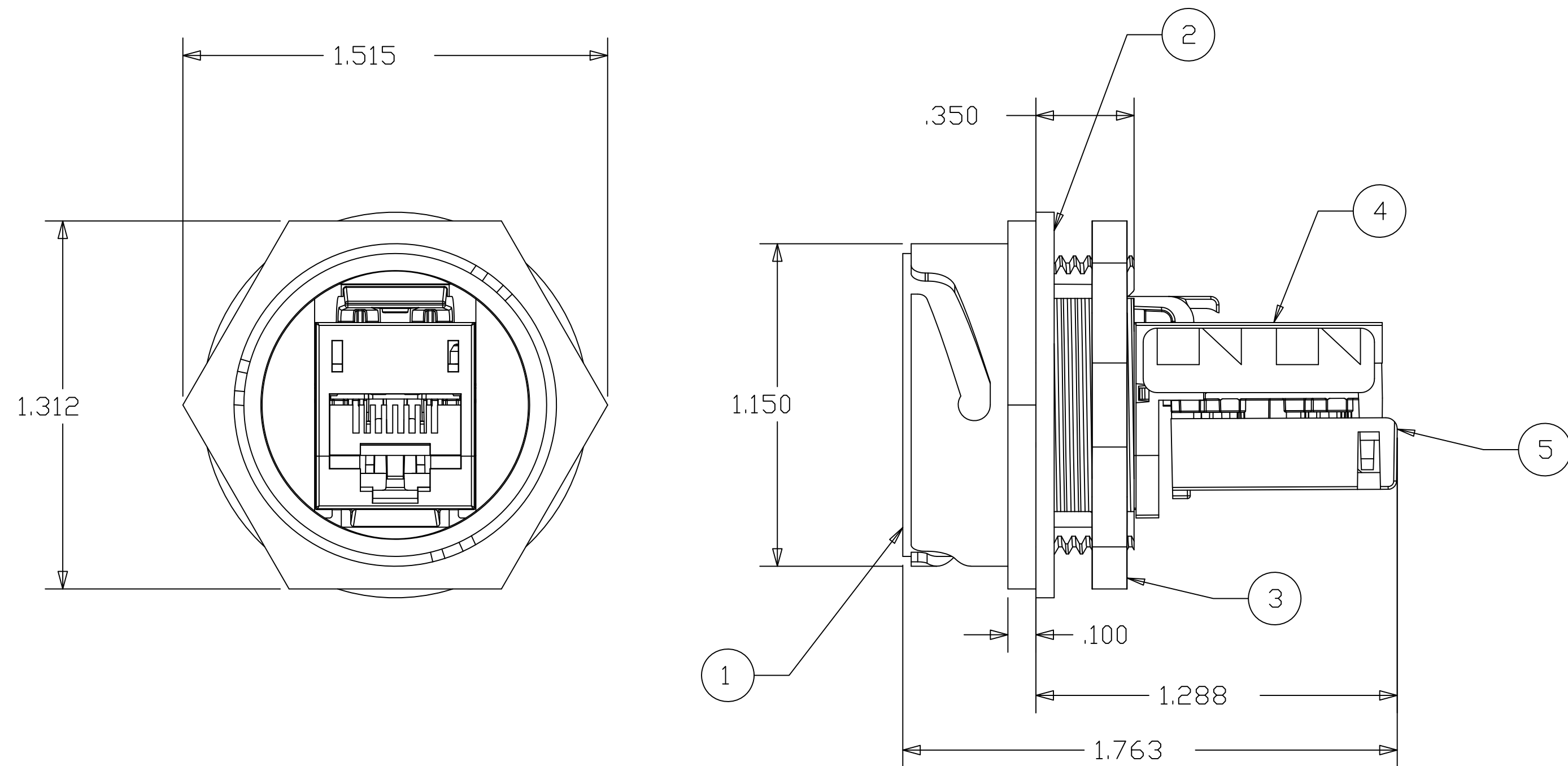
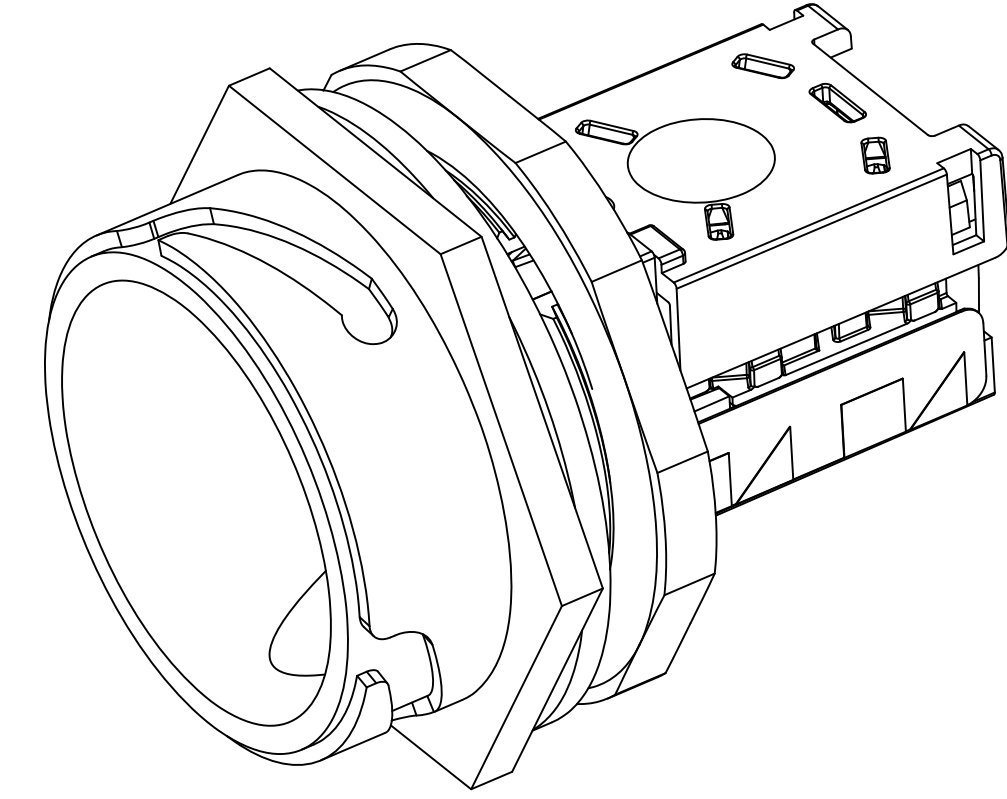


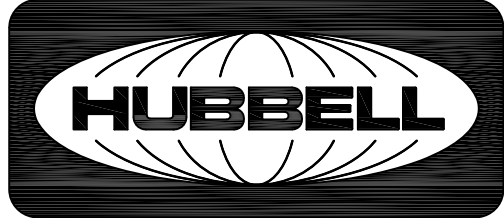
ITEM NO.	DESCRIPTION	QTY.
1	CONNECTOR HOUSING	1
2	GASKET	1
3	NUT	1
4	CAT 6 MODULAR JACK, GRAY	1
5	STUFFER CAP	1

CATALOG NUMBER	COLOR	DESCRIPTION
HI6	BLACK	CONNECTOR ASSEMBLY



NOTES:

1. U/L LISTED
2. C-UL LISTED
3. IP66/IP67 RATED WHEN MATED WITH HISEP/HIC.
4. ETL VERIFIED TIA 568 B.2.1 CATEGORY 6 COMPONENT
5. NOSE CONTACTS ARE BERYLLIUM COPPER WITH 50 MICRO INCH GOLD IN MATING AREA.
6. IDC CONTACTS ARE TIN LEAD PLATED.
7. CONNECTOR HOUSING MADE FROM VALDX PBT.
8. MODULAR JACK HOUSING CONSTRUCTED FROM NORYL.
9. STUFFER CAP CONSTRUCTED FROM LEXAN.
10. GASKET CONSTRUCTED FROM NEOPRENE.
11. SPECIFICATIONS SUBJECT TO CHANGE WITHOUT NOTICE.

Created on AUTOCAD	DIMENSIONING AND TOLERANCE PER ANSI Y14.5M-1982 UNLESS OTHERWISE SPECIFIED, DIMENSIONS ARE IN INCHES (MM). TOLERANCES .XX = ±.01 (.25) .XXX = ±.005 (.127) .XXXX = ±.0025 (.0635) ANGLE TOL ±1°		PROJECT REFERENCE: PMS 2003-94	 Hubbell Premise Wiring HUBBELL INCORPORATED (Delaware) 14 Lord's Hill Road, Stonington, Connecticut 06378	
	IN ACCEPTING OUR DRAWINGS, BLUEPRINTS, OR SUPPORTING DOCUMENTATION FOR QUOTATION OR OTHER PURPOSES, YOU AGREE NOT TO DISCLOSE TO OTHERS THE IDEAS, INFORMATION, OR DESIGNS SHOWN HEREIN, AND THAT YOU WILL MAKE NO USE OF SAME WITHOUT PERMISSION		MATERIAL: SEE NOTES		TITLE: HI6 CONNECTOR ASSEMBLY
			DRAWN BY: DOUG O'CONNOR 7/23/03	SIZE C	DRAWING NO. C-1192604
			CHECKED BY:	SCALE: 1/1	REV. B
		APPROVED BY:	SHEET 1	REV. 1	

REV.	ECN	DATE	DESCRIPTION	CHG BY	APPD BY
B	5219	12/13/03	DRAWING UPDATE	DPO	