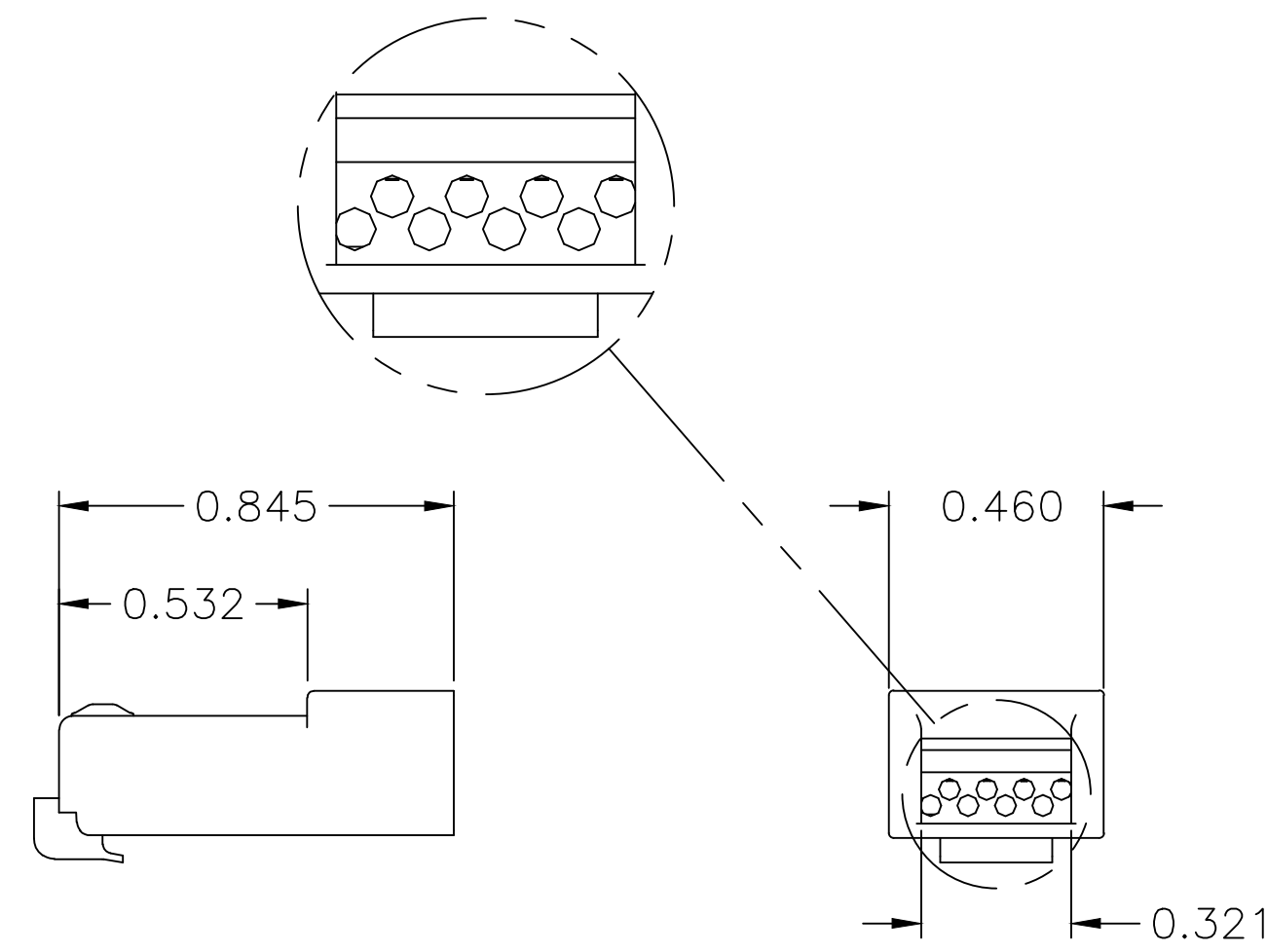
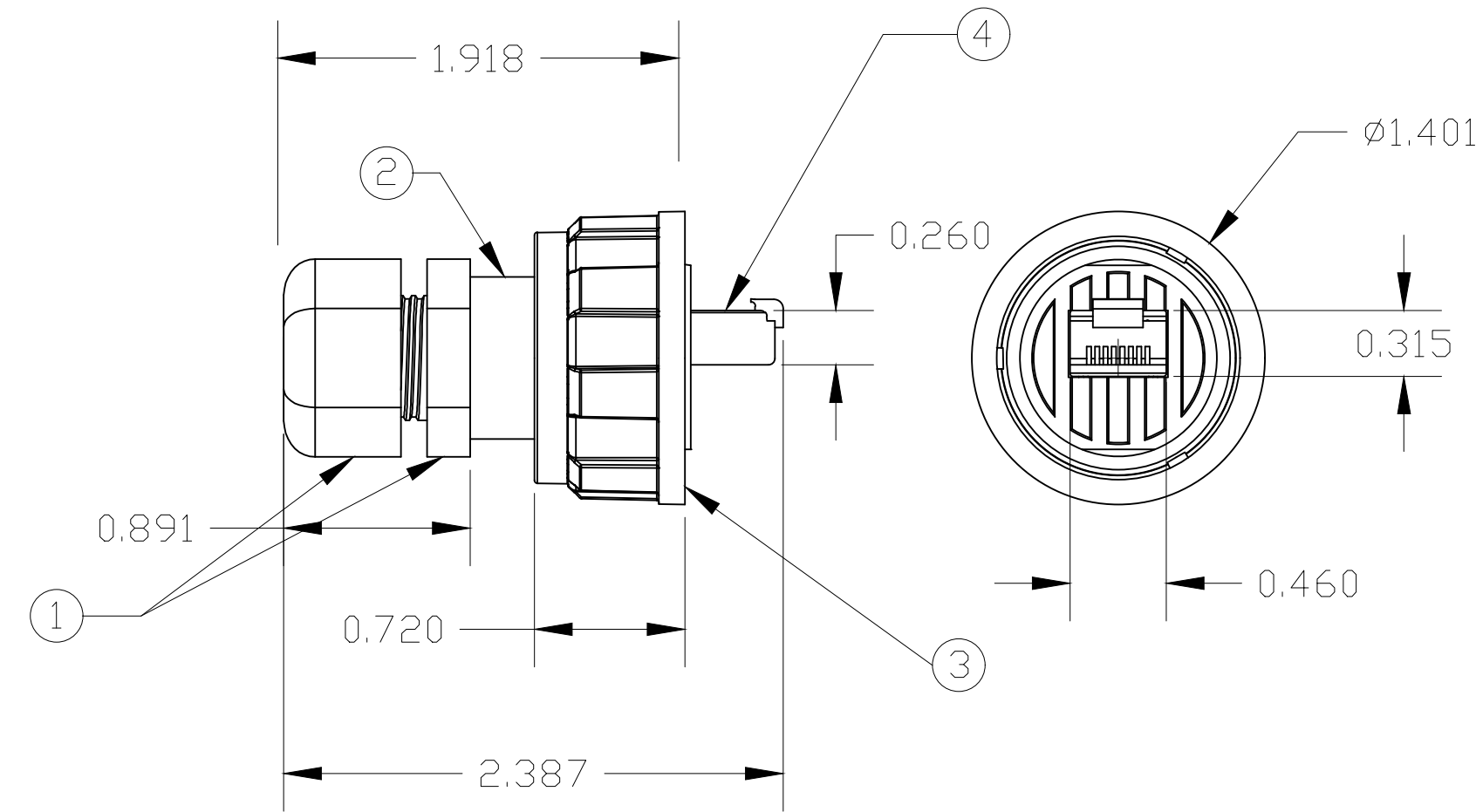


ITEM NO.	DESCRIPTION	QTY.
1	HUBBELL CORD CONNECTOR	1
2	PLUG HOUSING	1
3	QUICK NUT	1
4	STD. HUBBELL PLUG W/O LATCH	1

CATALOG NUMBER	COLOR	DESCRIPTION
HI6P	BLACK	C6 HI PLUG KIT




**PLUG DETAIL**  
SCALE 2/1



NOTES:

- U/L LISTED
- C-UL LISTED
- TIA/EIA 568B.2-1 CATEGORY 6 COMPONENT PERFORMANCE PLUG.
- HUBBELL CORD CONNECTOR CONSTRUCTED FROM NYLON 6/6.
- PLUG HOUSING AND QUICK NUT CONSTRUCTED FROM VALOX PBT.
- MODULAR PLUG CONSTRUCTED FROM LEXAN PC.
- SPECIFICATIONS SUBJECT TO CHANGE WITHOUT NOTICE.

Created on AUTOCAD	DIMENSIONING AND TOLERANCE PER ANSI Y14.5M-1982 UNLESS OTHERWISE SPECIFIED, DIMENSIONS ARE IN INCHES (MM). TOLERANCES .XX = ±.01 (.25) .XXX = ±.005 (.127) .XXXX = ±.0025 (.0635) ANGLE TOL ±1°		PROJECT REFERENCE:		 <b>Hubbell Premise Wiring</b> HUBBELL INCORPORATED (Delaware) 14 Lord's Hill Road, Stonington, Connecticut 06378		
	IN ACCEPTING OUR DRAWINGS, BLUEPRINTS, OR SUPPORTING DOCUMENTATION FOR QUOTATION OR OTHER PURPOSES, YOU AGREE NOT TO DISCLOSE TO OTHERS THE IDEAS, INFORMATION, OR DESIGNS SHOWN HEREIN, AND THAT YOU WILL MAKE NO USE OF SAME WITHOUT PERMISSION		MATERIAL: SEE NOTES			TITLE: HI6P PLUG KIT	
			DRAWN BY: D.O'CONNOR 10/16/17		SIZE: <b>C</b>	DRAWING NO.: <b>1192627C</b>	REV.: <b>1</b>
			CHECKED BY:		SCALE: 1/1 SHEET 1 OF 1		
		APPROVED BY:					

REV.	ECN	DATE	DESCRIPTION	CHG BY	APPD BY
1	22524	10/16/17	INITIAL RELEASE	DPO	