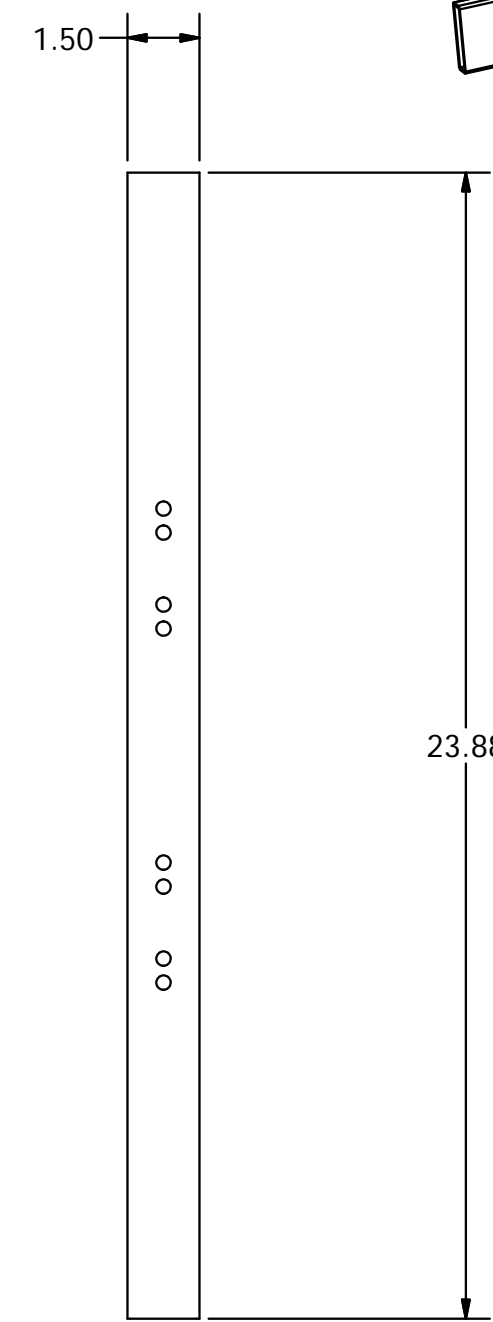
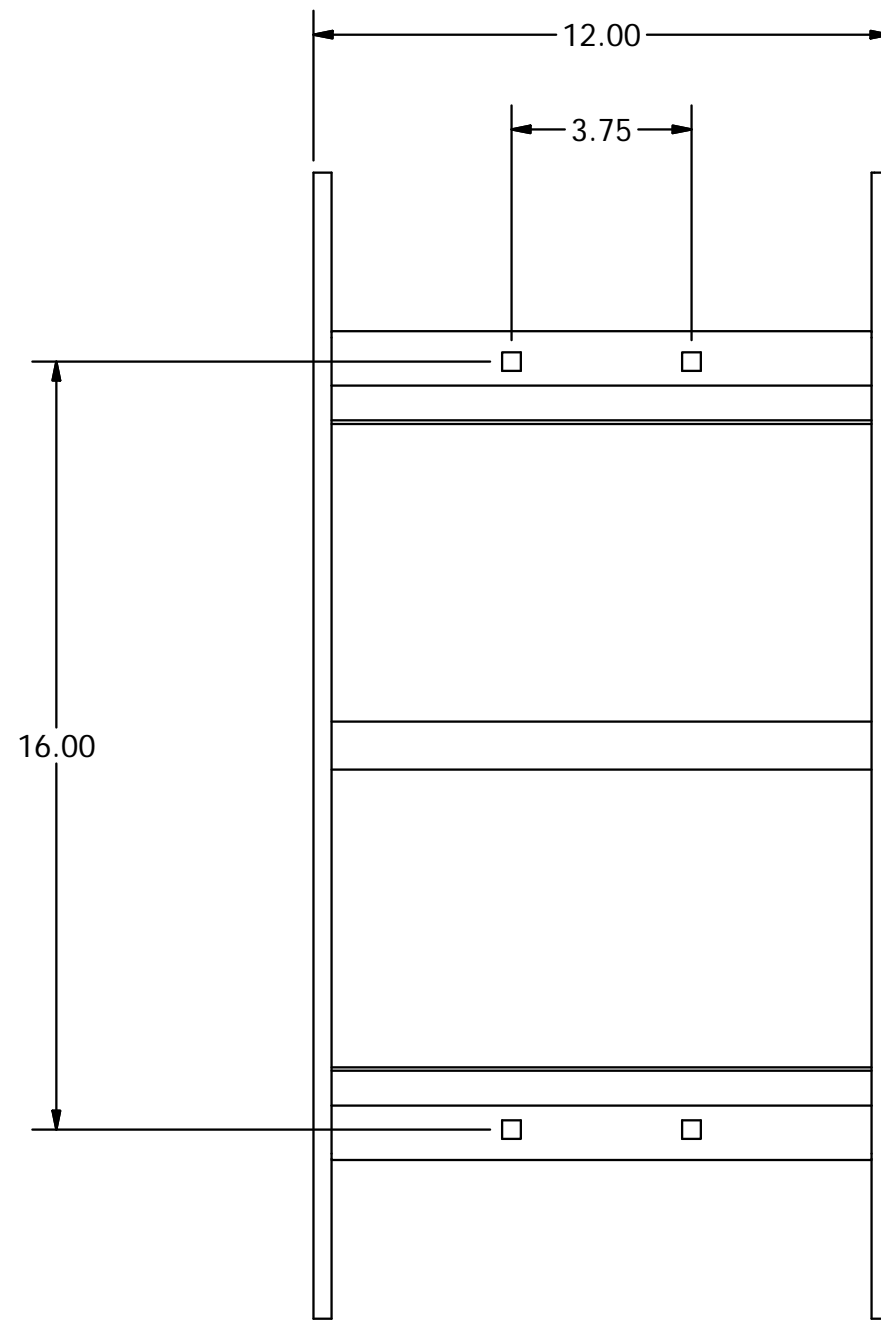
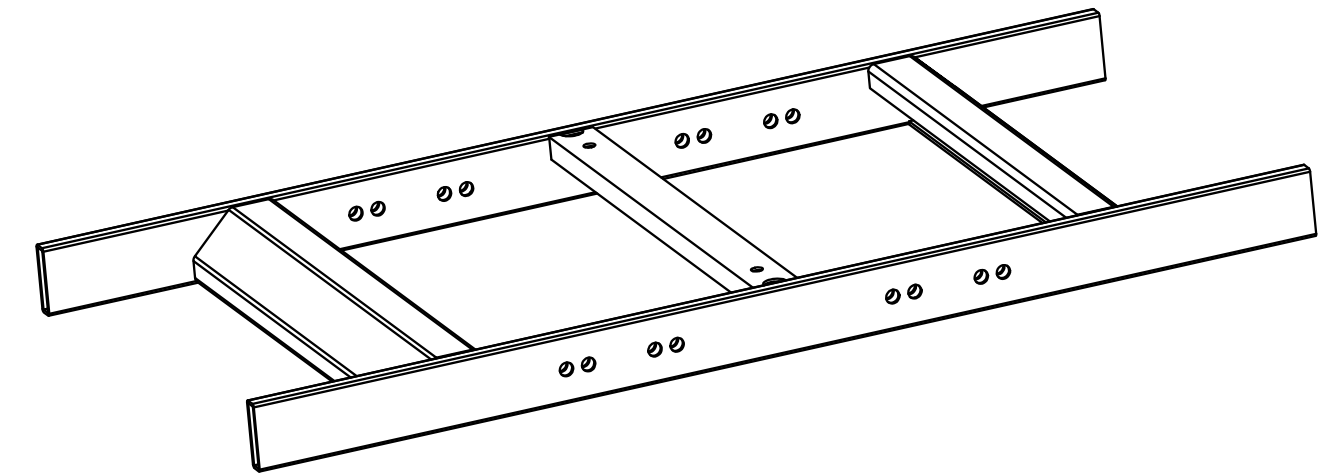



ITEM	DESCRIPTION	QTY
1	LADDER, 12"WIDE 2FT LONG	1
2	3/8-16 X 5/8 CARRAIGE BOLT	4
3	3/8-16 LOCK NUT	4

CATALOG NO.	DESCRIPTION
ICKL	12" WIDE LADDER WITH SLOPES

NOTES:

1. SURFACE FINISH: BLACK POWDER COAT
2. INSTRUCTION SHEET 77385901 INCLUDED.
3. SPECIFICATIONS SUBJECT TO CHANGE WITHOUT NOTICE.



Created on INVENTOR	DIMENSIONING AND TOLERANCE PER ANSI Y14.5M-1982 UNLESS OTHERWISE SPECIFIED, DIMENSIONS ARE IN INCHES (MM). TOLERANCES: XX = ±.01 (.25) .XXX = ±.005 (.127) .XXXX = ±.0025 (.0635) ANGLE TOL ±1°		PROJECT REFERENCE: MATERIAL: SEE COMPONENTS		 Hubbell Premise Wiring HUBBELL INCORPORATED (Delaware) 23 CLARA DRIVE, SUITE 103 MYSTIC, CT 06355		
	IN ACCEPTING OUR DRAWINGS, BLUEPRINTS, OR SUPPORTING DOCUMENTATION FOR QUOTATION OR OTHER PURPOSES, YOU AGREE NOT TO DISCLOSE TO OTHERS THE IDEAS, INFORMATION, OR DESIGNS SHOWN HEREIN, AND THAT YOU WILL MAKE NO USE OF SAME WITHOUT PERMISSION		DRAWN BY: MABBY 06/27/16			TITLE: I-FRAME 12"W LADDER WITH SLOPES	
			CHECKED BY:		SIZE: C	DRAWING NO.: 11938C	REV.: 1
			APPROVED BY:		SCALE: N/A SHEET 1 OF 1		

REV.	ECN	DATE	DESCRIPTION	CHG BY	APPD BY
1	21405	06/28/16	INITIAL RELEASE	MMA	DO