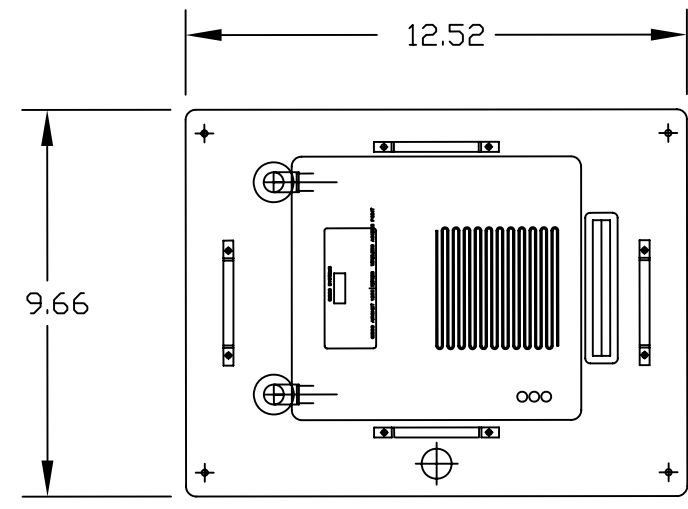
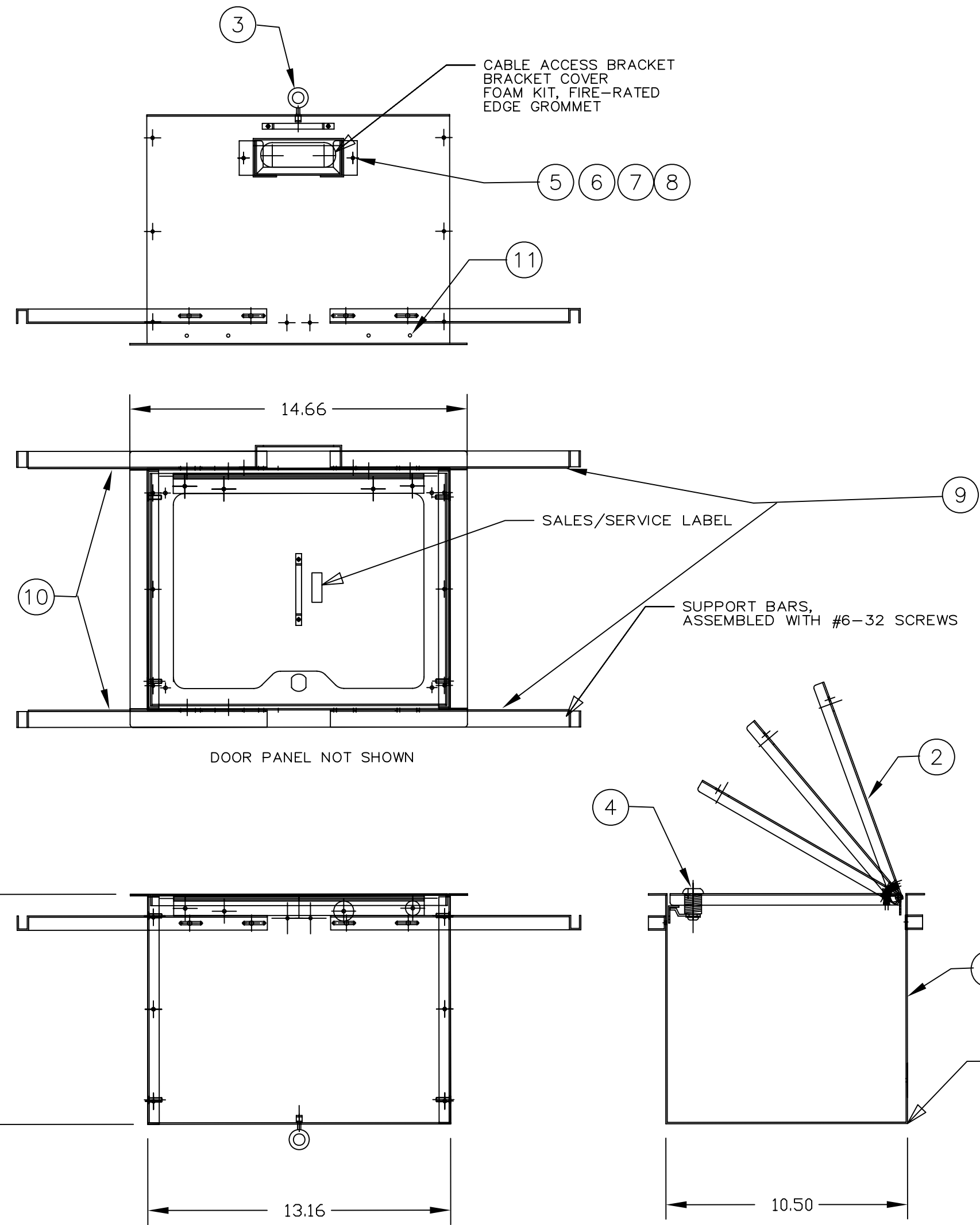


ITEM NO.	DESCRIPTION	QTY.
1	ENCLOSURE	1
2	DOOR	1
3	1/4-20 2" OA 1" SHANK EYE BOLT	1
4	LOCK KEY #C346A	1
5	CABLE ACCESS BRACKET	1
6	BRACKET COVER	1
7	FOAM KIT	1
8	EDGE GROMMET	1
9	RIGHT SUPPORT	2
10	LEFT SUPPORT	2
11	#6-32 SCREW	8
12	INSTRUCTION SHEET	1

CATALOG NUMBER	DESCRIPTION
WBC12	WIRELESS CEILING ENCLOSURE FOR CISCO 1200




CISCO 1200 DOOR FACEPLATE
ASSEMBLED TO UNIT, TRANSMITTER
SHOWN FOR REFERENCE ONLY



NOTES:

- SURFACE FINISH:
ENCLOSURE: MILL
DOOR FACEPLATE: OFFICE WHITE
- SPECIFICATIONS SUBJECT TO CHANGE WITHOUT NOTICE.

REV.	ECN	DATE	DESCRIPTION	CHG BY	APPD BY
B	6306	02/11/08	ADDED KEY NUMBER	MMA	MW

Created on AUTOCAD	DIMENSIONING AND TOLERANCE PER ANSI Y14.5M-1982 UNLESS OTHERWISE SPECIFIED, DIMENSIONS ARE IN INCHES (MM). TOLERANCES .X = ±.03 (.8) .XX = ±.02 (.4) .XXX = ±.010 (.25) ANGLE TOL ±1°		PROJECT REFERENCE:		 Hubbell Premise Wiring HUBBELL INCORPORATED (Delaware) 14 Lord's Hill Road, Stonington, Connecticut 06378		
	IN ACCEPTING OUR DRAWINGS, BLUEPRINTS, OR SUPPORTING DOCUMENTATION FOR QUOTATION OR OTHER PURPOSES, YOU AGREE NOT TO DISCLOSE TO OTHERS THE IDEAS, INFORMATION, OR DESIGNS SHOWN HEREIN, AND THAT YOU WILL MAKE NO USE OF SAME WITHOUT PERMISSION		MATERIAL: .060 ALUMINUM			TITLE: WIRELESS CEILING ENCLOSURE FOR CISCO 1200 ACCESS POINT	
			DRAWN BY: GLEN EIGO		SIZE: C	DRAWING NO. C11957	REV. B
			CHECKED BY: M. ABBY		SCALE: N/A SHEET 1 OF 1		
		APPROVED BY:					