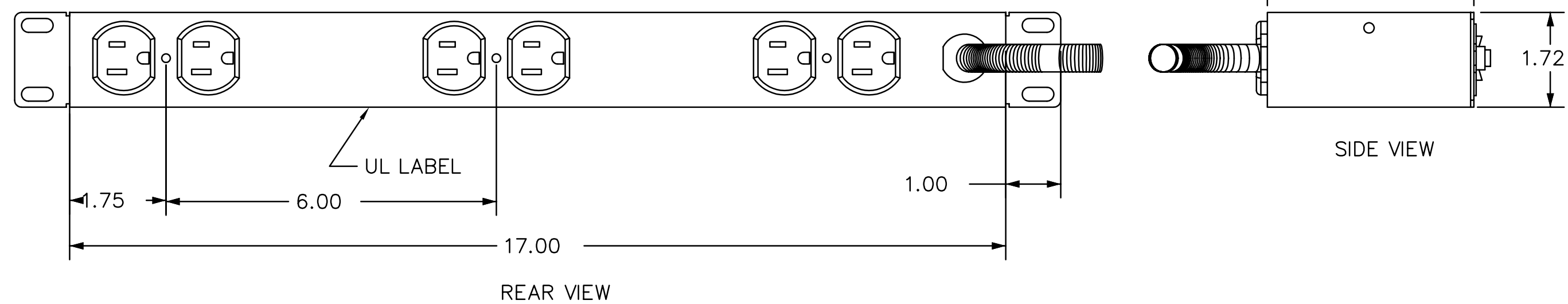
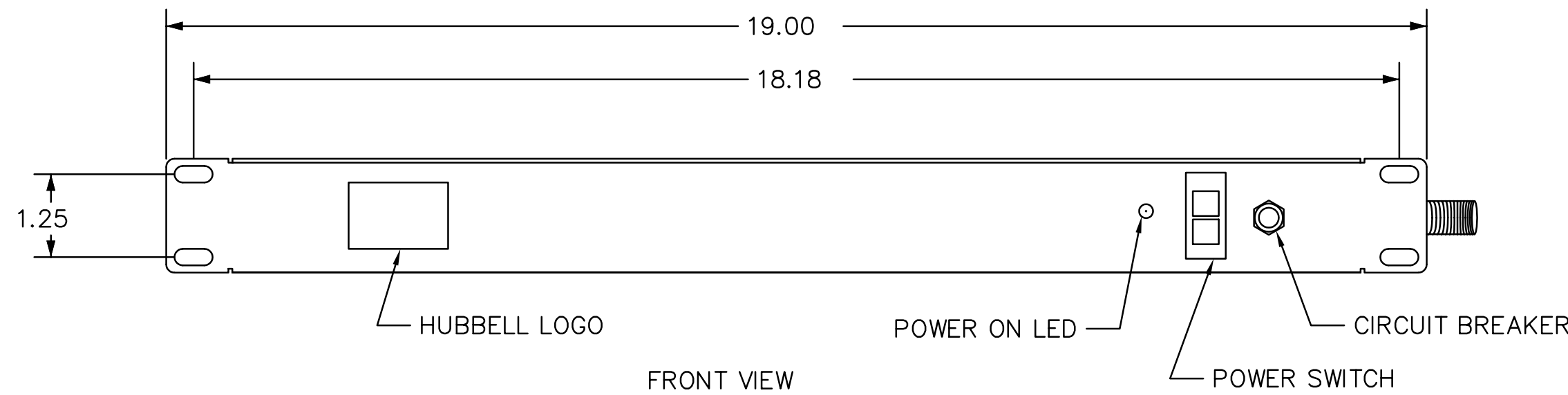
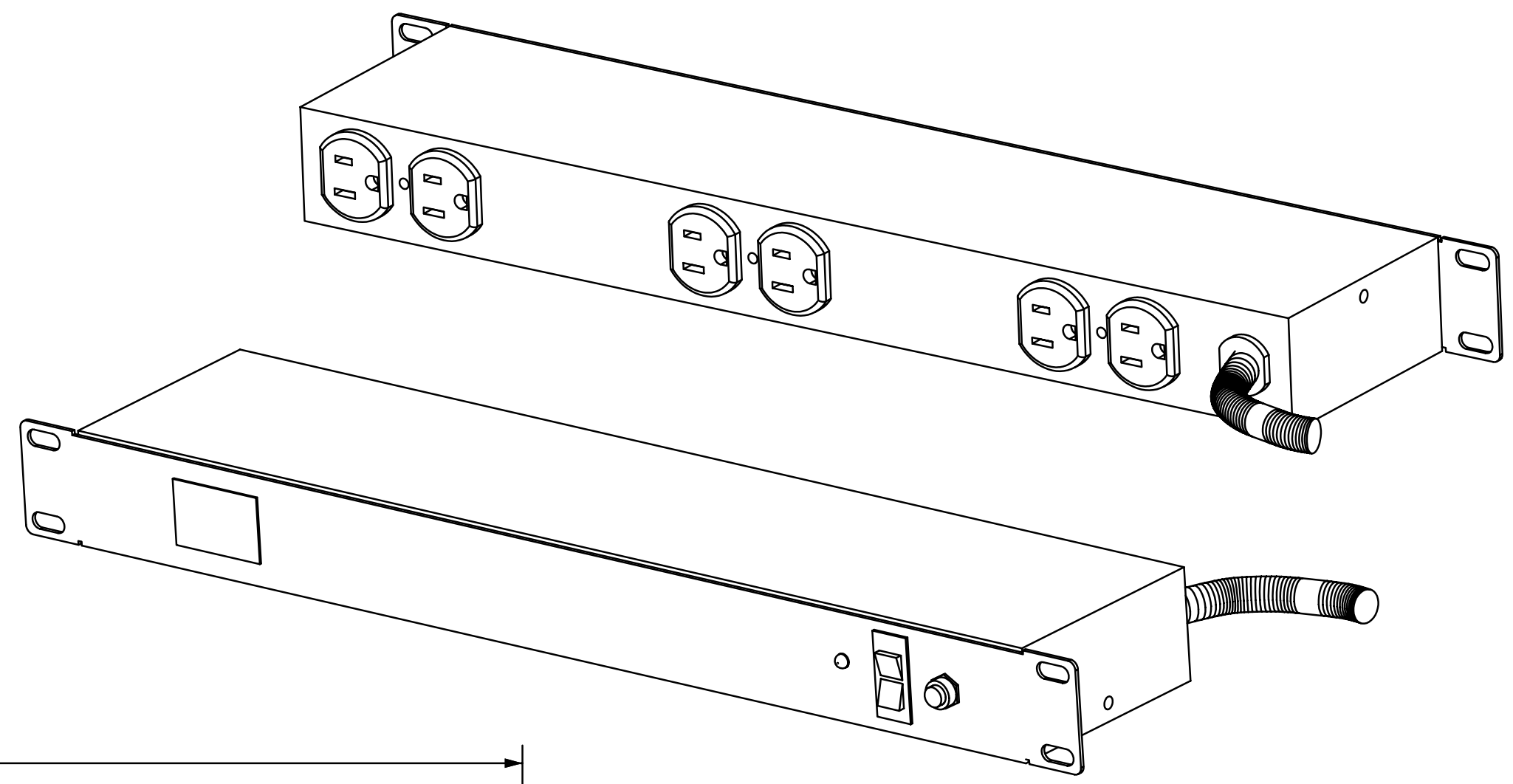



SPECIFICATIONS:	
MADE IN USA	YES
AC RATING VOLTS	125
AC RATING AMPS	15
AC RATING WATTS	1875
AC RATING FREQUENCY	50/60 Hz
OVER CURRENT PROTECTION	15 AMP THERMAL BREAKER
POWER SWITCH	YES WITH COVER
INDICATORS - POWER ON GREEN LED	1
POWER CABLE AWG	14/3 SJT/SO
CORD LENGTH	10FT
PLUG TYPE	NEMA 5-15P STRAIGHT BLADE
RECEPTACLES TYPE	NEMA 5-15R
RECEPTACLES STYLE	DUPLEX
RECEPTACLES ON REAR	6
MAXIMUM OUTPUT PER RECEPTACLE	15A
FLUSH MOUNT	YES
CERTIFICATION/AGENCY APPROVALS	UL & c-UL RECOGNIZED TO 1363 STANDARDS
UNIT WEIGHT	6 lbs.

CATALOG NUMBER	DESCRIPTION
PR0615	19" RACKMOUNT POWER STRIP, BLACK



NOTES:

- KIT SHOULD CONTAIN:
  - (1) 19" HORIZONTAL RACK MOUNT PER TABULATED SPECIFICATIONS.
  - (1) HARDWARE PACK - MOUNTING SCREWS, BAGGED W/WASHER
  - (1) INSTALLATION INSTRUCTIONS
- SURFACE FINISH: BLACK
- SPECIFICATIONS SUBJECT TO CHANGE WITHOUT NOTICE

Created on AUTOCAD	DIMENSIONING AND TOLERANCE PER ANSI Y14.5M-1982 UNLESS OTHERWISE SPECIFIED, DIMENSIONS ARE IN INCHES (MM). TOLERANCES .XX = ±.01 (.25) .XXX = ±.005 (.127) .XXXX = ±.0025 (.0635) ANGLE TOL ±1°		PROJECT REFERENCE: 2004-113		 <b>Hubbell Premise Wiring</b> HUBBELL INCORPORATED (Delaware) 14 Lord's Hill Road, Stonington, Connecticut 06378
			MATERIAL: HEAVY STEEL		
	IN ACCEPTING OUR DRAWINGS, BLUEPRINTS, OR SUPPORTING DOCUMENTATION FOR QUOTATION OR OTHER PURPOSES, YOU AGREE NOT TO DISCLOSE TO OTHERS THE IDEAS, INFORMATION, OR DESIGNS SHOWN HEREIN, AND THAT YOU WILL MAKE NO USE OF SAME WITHOUT PERMISSION		DRAWN BY: GLEN P. EIGO, 8/6/04		TITLE: 19" RACKMOUNT POWER STRIP, BLACK 6 OUTLETS 15A, 125VAC
			CHECKED BY: DAVE MCBAIN, 8/16/04		SIZE: <b>C</b> DRAWING NO. <b>C12017</b>
		APPROVED BY: NATE HERRING, 8/16/04		REV. <b>A</b>	
		SCALE: NTS		SHEET 1 OF 1	

REV.	ECN	DATE	DESCRIPTION	CHG BY	APPD BY
A	5390	8/6/04	INITIAL RELEASE	GPE	NJH