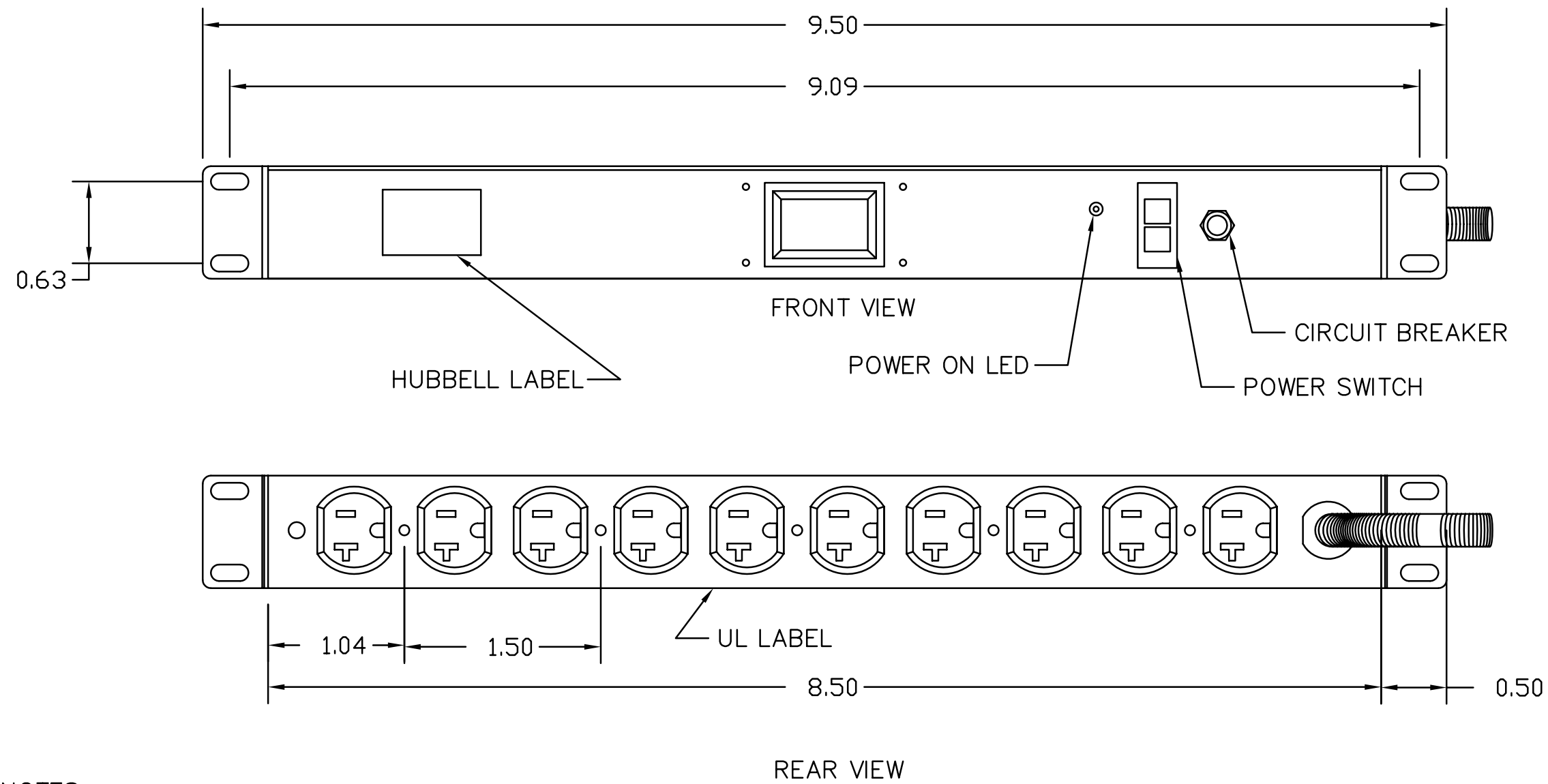
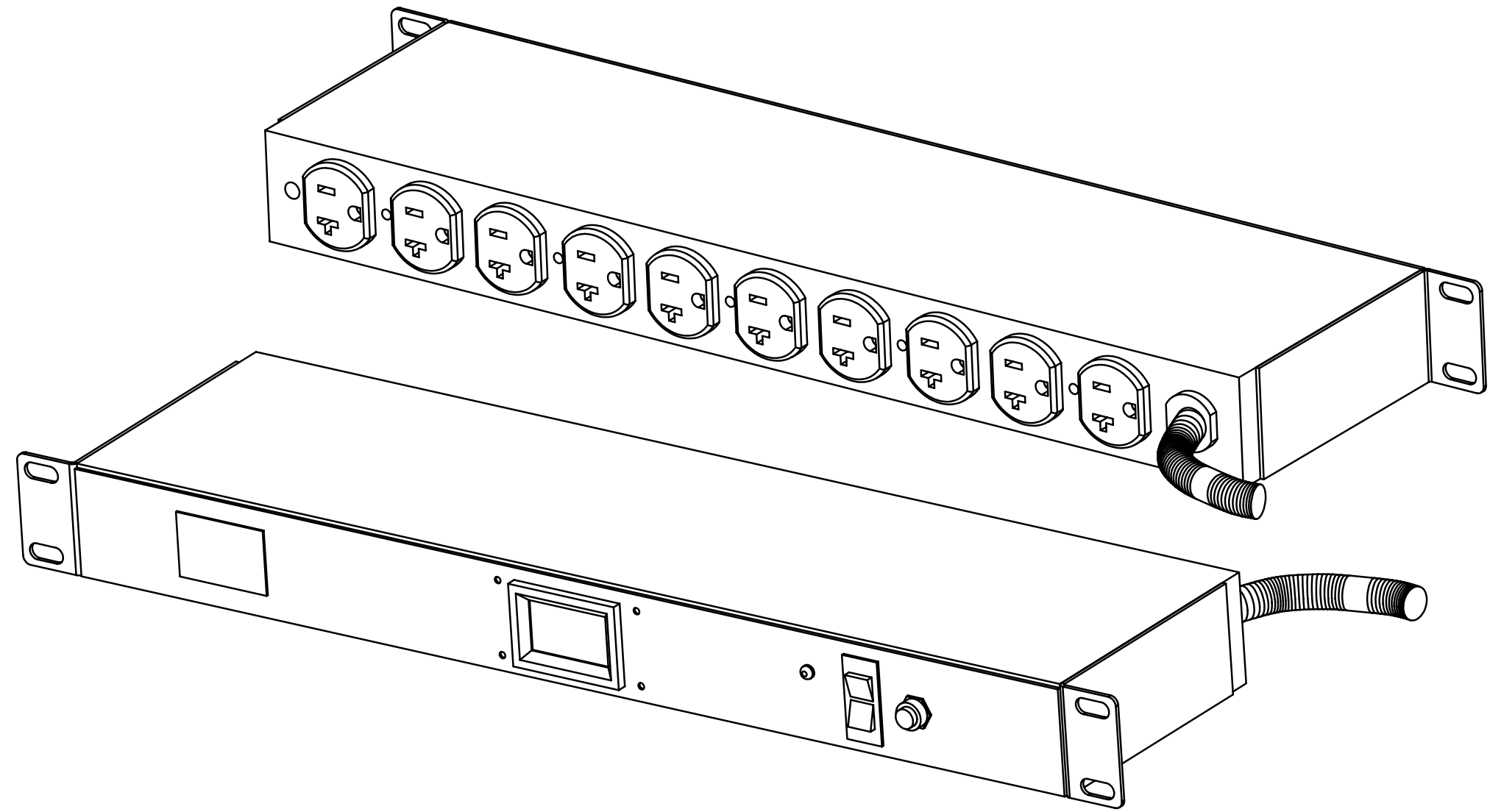


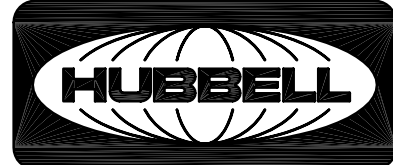
SPECIFICATIONS:	
MADE IN USA	YES
AC RATING VOLTS	125
AC RATING AMPS	20
AC RATING WATTS	2500
AC RATING FREQUENCY	50/60 Hz
OVER CURRENT PROTECTION	20 AMP THERMAL BREAKER
POWER SWITCH	SWITCH WITH COVER
INDICATORS - POWER ON GREEN LED	1
DIGITAL CURRENT METER	0-30.0 AMPS; ACCURACY: +/- 1 AMPS; SAMPLING RATE: 2.5 PER SECOND
POWER CABLE AWG	12/3 SJT/SO
CORD LENGTH	10FT
PLUG TYPE	NEMA 5-20P STRAIGHT BLADE
RECEPTACLES TYPE	NEMA 5-20R
RECEPTACLES STYLE	DUPLEX
RECEPTACLES ON REAR	10
MAXIMUM OUTPUT PER RECEPTACLE	20A
FLUSH MOUNT	YES
19" RECESS MOUNT	OPTIONAL
23" RECESS MOUNT (USED WITH 19" UNIT)	OPTIONAL
PANEL MOUNT	OPTIONAL
CERTIFICATION/AGENCY APPROVALS	UL & c-UL RECOGNIZED TO 1363 STANDARDS
UNIT WEIGHT	7.6 lbs.

CATALOG NUMBER	DESCRIPTION
PR1020	19" RACKMOUNT POWER STRIP, BLACK, 10 OUTLETS



NOTES:

- KIT SHOULD CONTAIN:
  - (1) 19" HORIZONTAL RACK MOUNT PER TABULATED SPECIFICATIONS.
  - (1) HARDWARE PACK MOUNTING SCREWS, BAGGED W/WASHER
  - (1) INSTALLATION INSTRUCTIONS
- SURFACE FINISH: BLACK
- SPECIFICATIONS SUBJECT TO CHANGE WITHOUT NOTICE

Created on AUTOCAD	DIMENSIONING AND TOLERANCE PER ANSI Y14.5M-1982 UNLESS OTHERWISE SPECIFIED, DIMENSIONS ARE IN INCHES (MM). TOLERANCES .XX = ±.01 (.25) .XXX = ±.005 (.127) .XXXX = ±.0025 (.0635) ANGLE TOL ±1°	PROJECT REFERENCE: 2004-113	 <b>Hubbell Premise Wiring</b> HUBBELL INCORPORATED (Delaware) 14 Lord's Hill Road, Stonington, Connecticut 06378			
	MATERIAL: HEAVY STEEL	TITLE: 19" RACKMOUNT POWER STRIP, BLACK NON-SURGE PROTECTED 10 OUTLETS - 20A, 125VAC				
	IN ACCEPTING OUR DRAWINGS, BLUEPRINTS, OR SUPPORTING DOCUMENTATION FOR QUOTATION OR OTHER PURPOSES, YOU AGREE NOT TO DISCLOSE TO OTHERS THE IDEAS, INFORMATION, OR DESIGNS SHOWN HEREIN, AND THAT YOU WILL MAKE NO USE OF SAME WITHOUT PERMISSION	DRAWN BY: GLEN P. EIGO, 8/6/04	CHECKED BY: DAVE MCBAIN, 8/16/04	SIZE <b>C</b>	DRAWING NO. <b>C12018</b>	REV. <b>A</b>
		APPROVED BY: NATE HERRING, 8/16/04	SCALE: NTS	SHEET 1 OF 1		

REV.	ECN	DATE	DESCRIPTION	CHG BY	APPD BY
A	5390	8/6/04	INITIAL RELEASE	GPE	NJH