

6

5

4

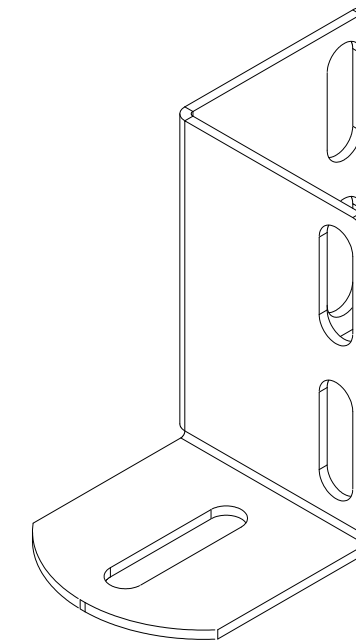
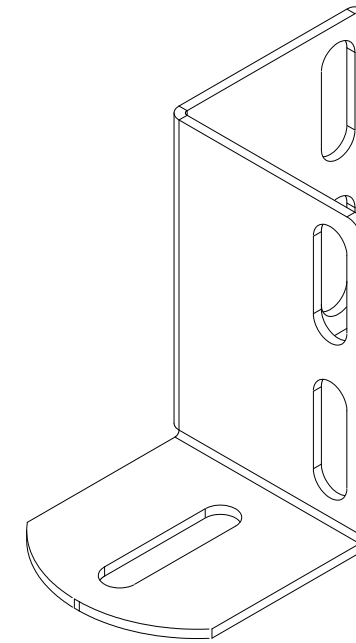
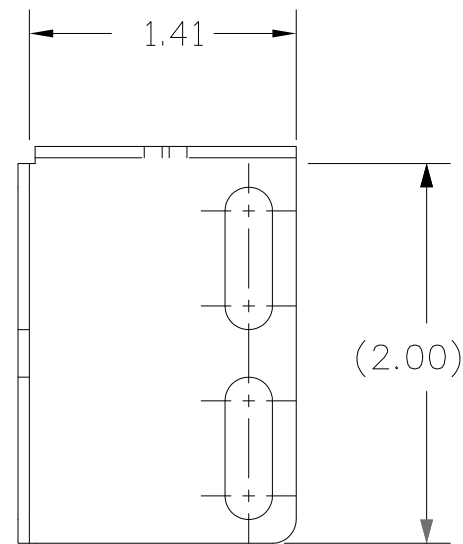
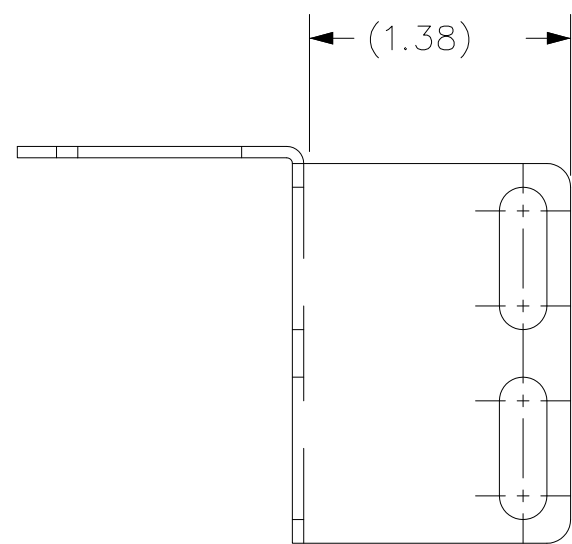
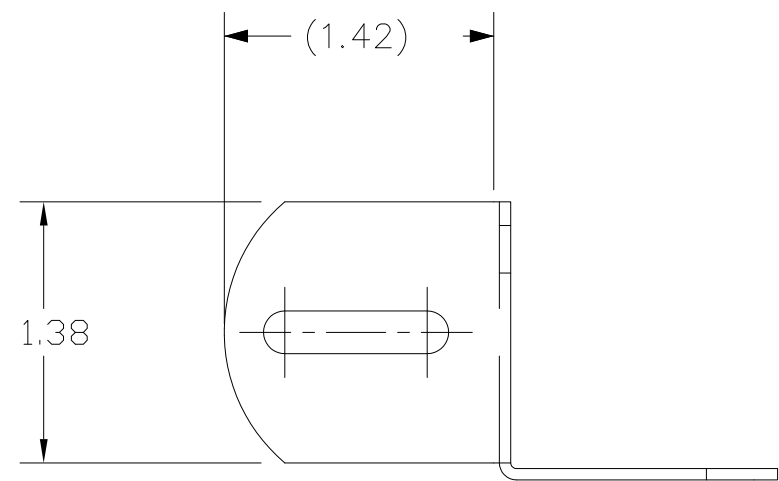
3

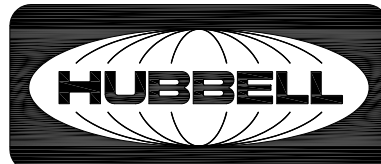
2

1

CATALOG NUMBER	DESCRIPTION
PREZB	EASY BRACKET, BLACK

- NOTES:
1. KIT SHOULD CONTAIN: (2) EASY BRACKETS
 2. SURFACE FINISH: BLACK
 3. SPECIFICATIONS SUBJECT TO CHANGE WITHOUT NOTICE



Created on AUTOCAD	DIMENSIONING AND TOLERANCE PER ANSI Y14.5M-1982 UNLESS OTHERWISE SPECIFIED, DIMENSIONS ARE IN INCHES (MM). TOLERANCES .XX = ±.01 (.25) .XXX = ±.005 (.127) .XXXX = ±.0025 (.0635) ANGLE TOL ±1°		PROJECT REFERENCE: 2004-112		 Hubbell Premise Wiring HUBBELL INCORPORATED (Delaware) 14 Lord's Hill Road, Stonington, Connecticut 06378
	IN ACCEPTING OUR DRAWINGS, BLUEPRINTS, OR SUPPORTING DOCUMENTATION FOR QUOTATION OR OTHER PURPOSES, YOU AGREE NOT TO DISCLOSE TO OTHERS THE IDEAS, INFORMATION, OR DESIGNS SHOWN HEREIN, AND THAT YOU WILL MAKE NO USE OF SAME WITHOUT PERMISSION		MATERIAL: SEE NOTES		
			DRAWN BY: GLEN P. EIGO, 8/10/04		SIZE: C DRAWING NO. C12050 REV. A
			CHECKED BY: DAVE MCBAIN, 8/16/04		SCALE: NTS SHEET 1 OF 1
		APPROVED BY: NATE HERRING, 8/16/04			

A	5390	8/10/04	INITIAL RELEASE	GPE	NJH
REV.	ECN	DATE	DESCRIPTION	CHG BY	APPD BY