

6

5

4

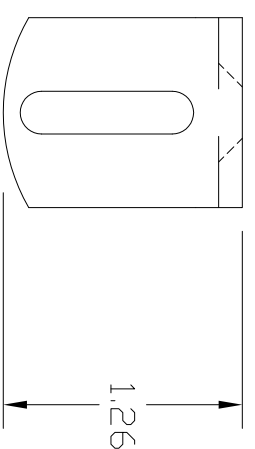
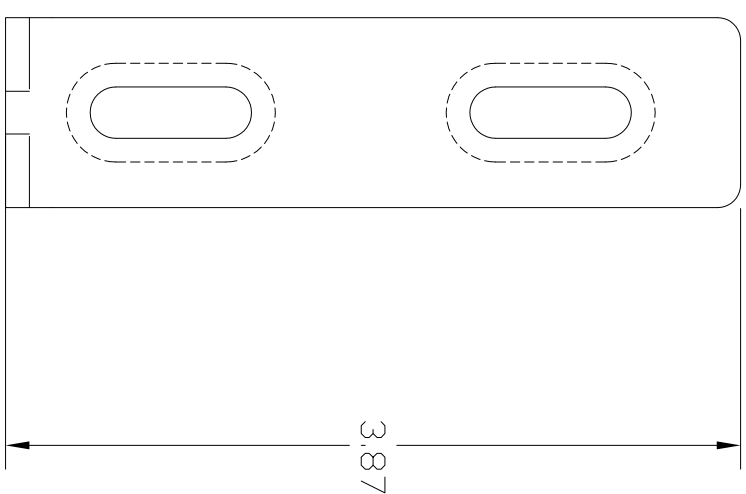
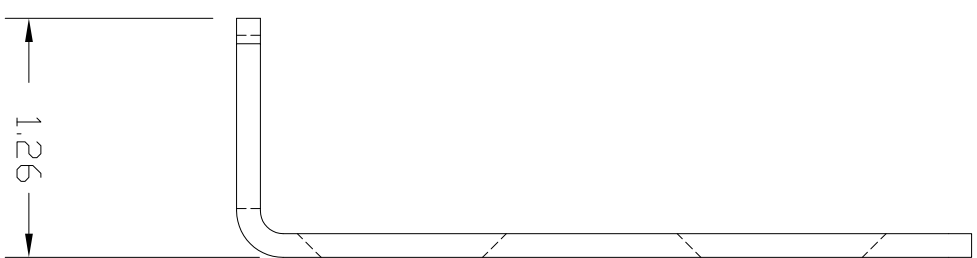
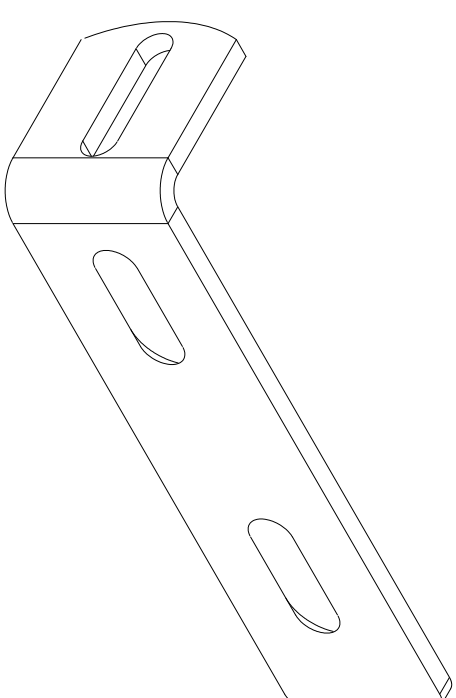
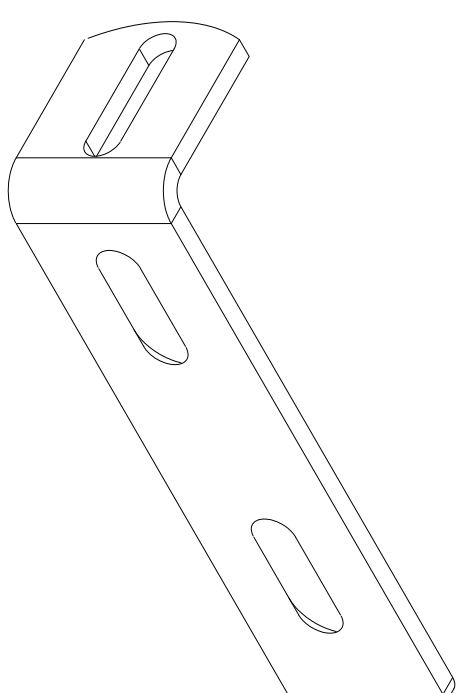
3

2

1

CATALOG NUMBER	DESCRIPTION
PRSLB4	EXPOSED MOUNT BRACKET, BLACK

- NOTES:
1. KIT SHOULD CONTAIN: (2) BRACKETS
 2. SURFACE FINISH: BLACK
 3. SPECIFICATIONS SUBJECT TO CHANGE WITHOUT NOTICE



REV.	ECN	DATE	DESCRIPTION	CHG BY	APPD BY
A	5390	8/10/04	INITIAL RELEASE	GPE	NJH

Created on AUTOCAD

DIMENSIONING AND TOLERANCE PER ANSI Y14.5M-1982 UNLESS OTHERWISE SPECIFIED, DIMENSIONS ARE IN INCHES (MM). TOLERANCES
 .XX = ±.01 (.25)
 .XXX = ±.005 (.127)
 .XXXX = ±.0025 (.0635)
 ANGLE TOL ±1°

IN ACCEPTING OUR DRAWINGS, BLUEPRINTS, OR SUPPORTING DOCUMENTATION FOR QUOTATION OR OTHER PURPOSES, YOU AGREE NOT TO DISCLOSE TO OTHERS THE IDEAS, INFORMATION, OR DESIGNS SHOWN HEREIN, AND THAT YOU WILL MAKE NO USE OF SAME WITHOUT PERMISSION

PROJECT REFERENCE: 2004-112
MATERIAL: SEE NOTES

DRAWN BY: GLEN P. EIGO, 8/10/04
CHECKED BY: DAVE MCBAIN, 8/16/04
APPROVED BY: NATE HERRING, 8/16/04

HUBBELL
Hubbell Premise Wiring
 HUBBELL INCORPORATED (Delaware)
 14 Lord's Hill Road, Stonington, Connecticut 06378

TITLE: BRACKET
EXPOSED MOUNT, BLACK

SIZE: C
DRAWING NO.: C12051
SCALE: NTS

REV.: A

SHEET: 1 OF 1