

6

5

4

3

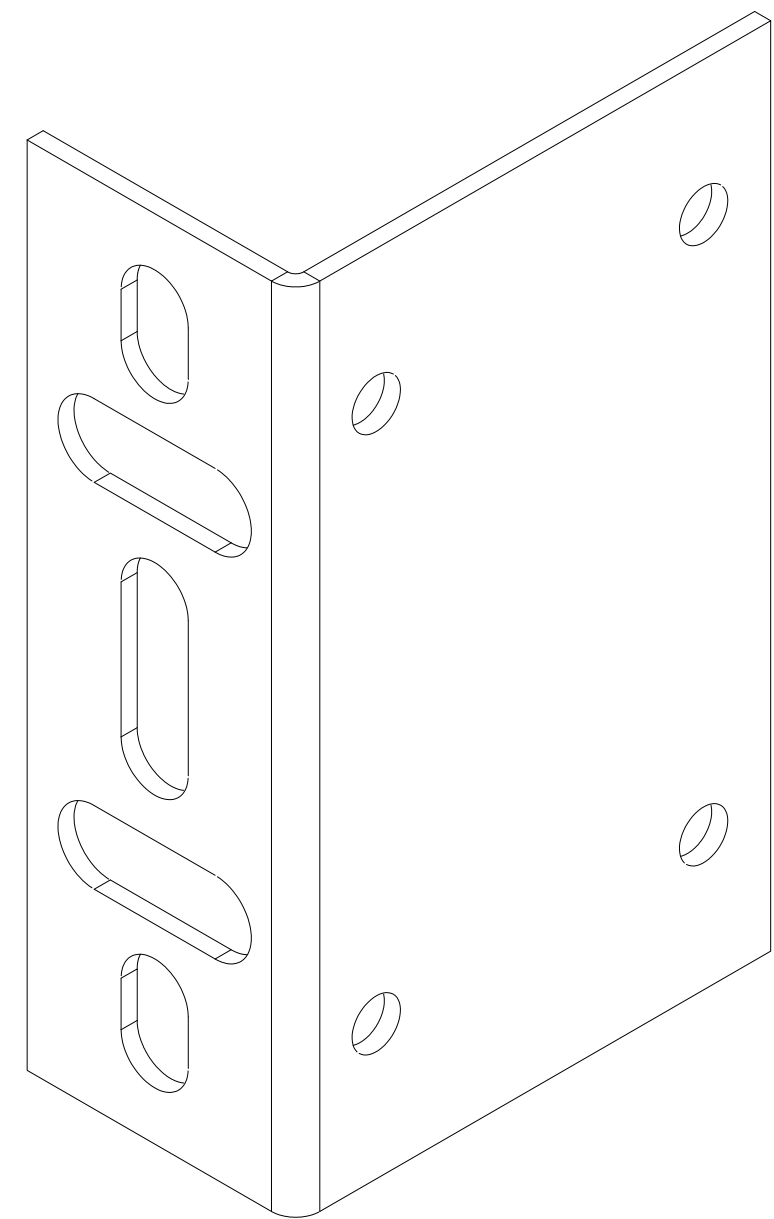
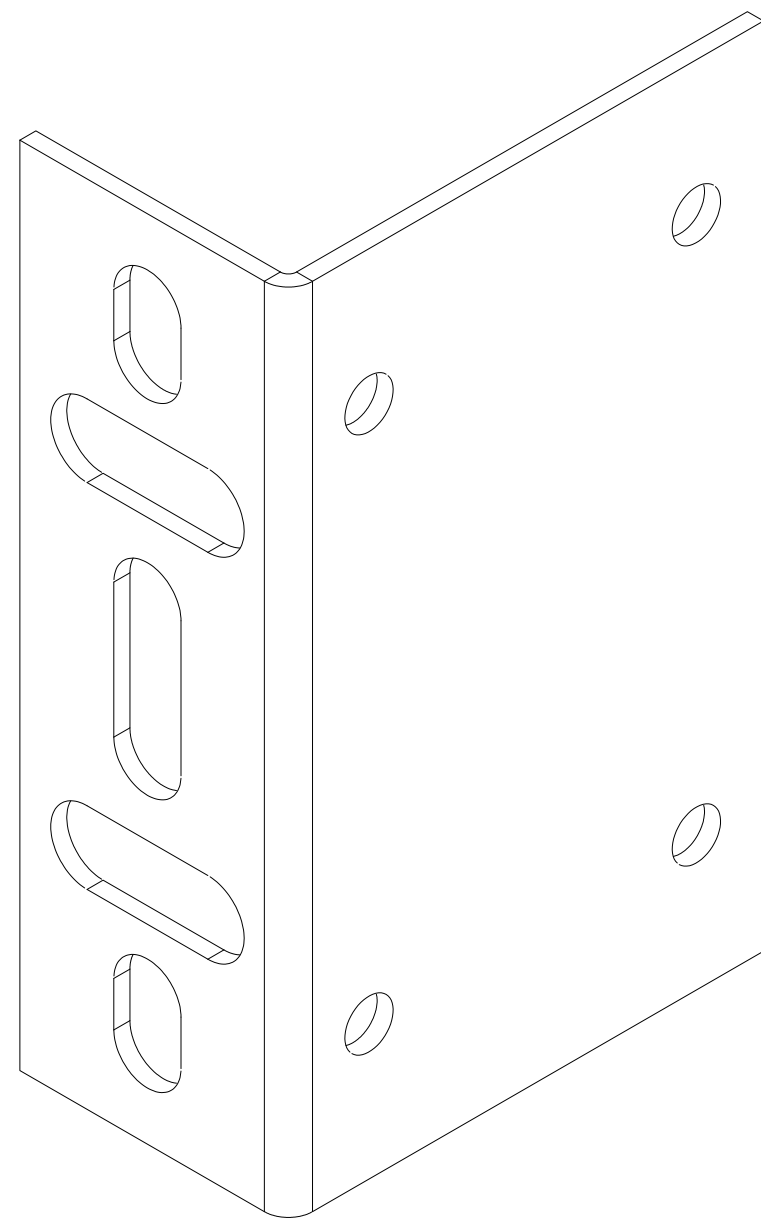
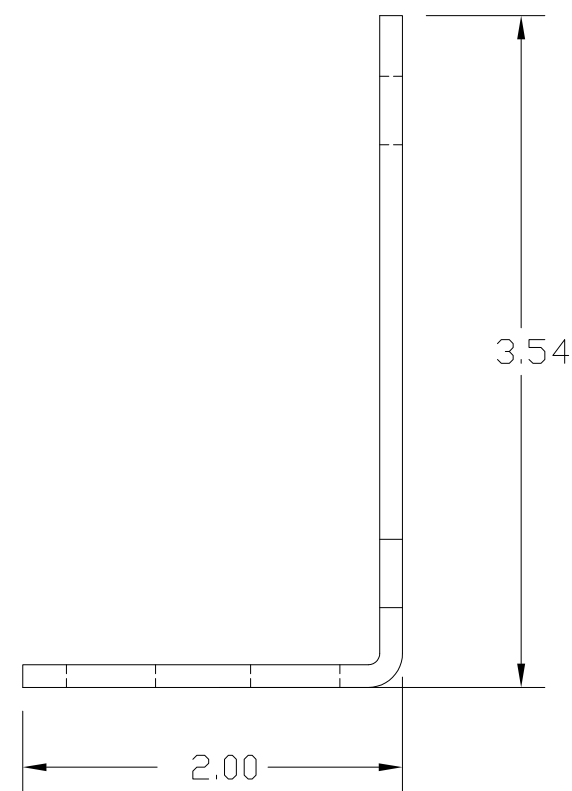
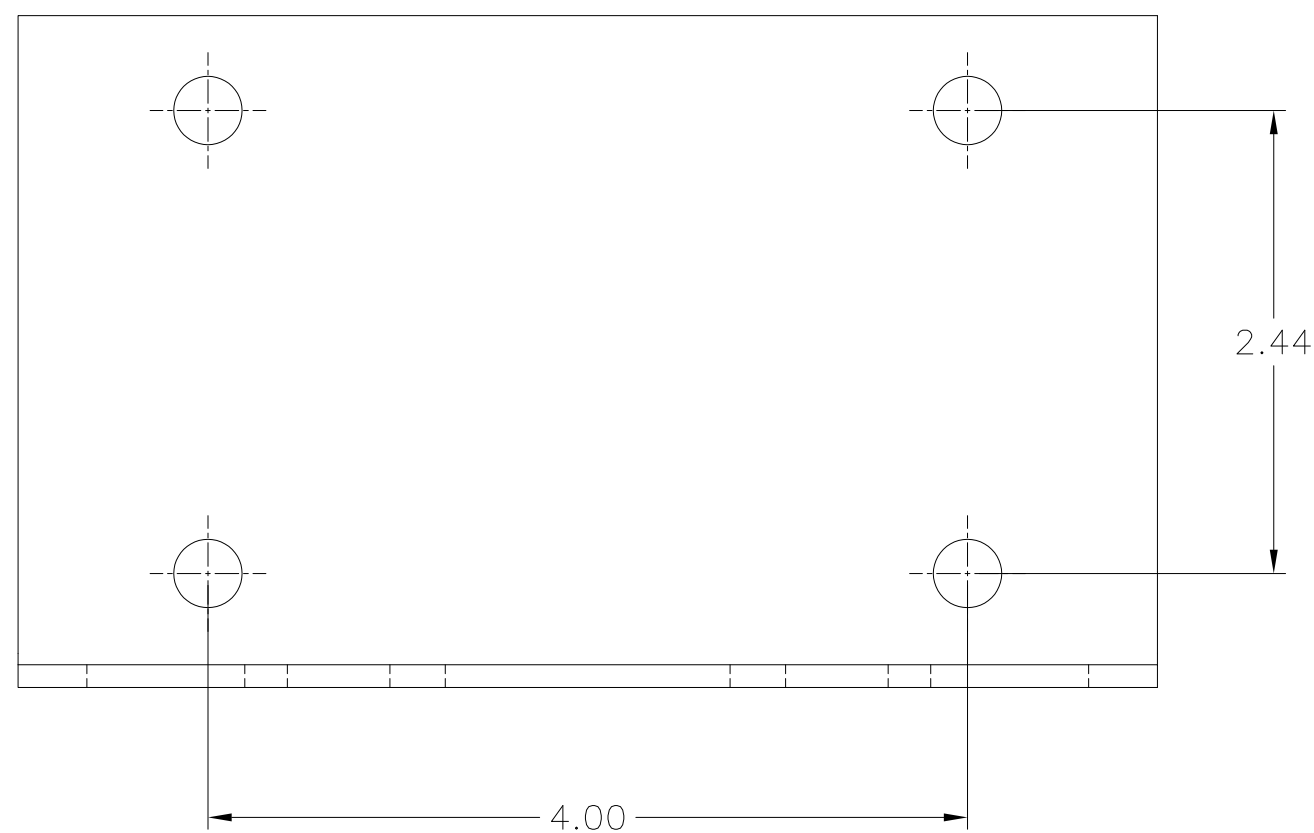
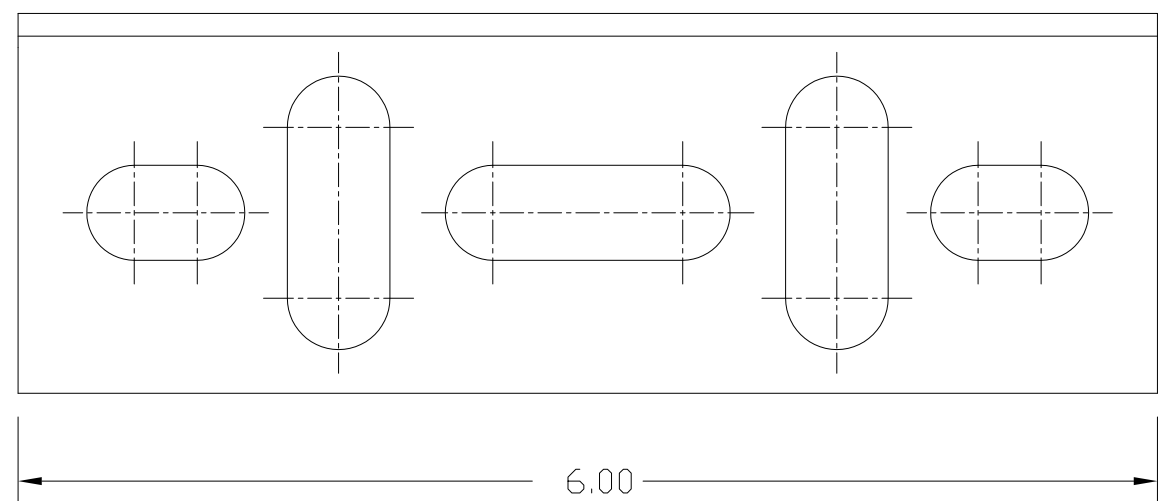
2

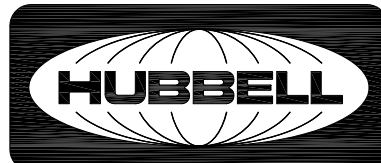
1

CATALOG NUMBER	DESCRIPTION
PRPMB	PANEL MOUNT BRACKET, BLACK

NOTES:

- 1. KIT SHOULD CONTAIN: (2) MOUNT BRACKETS
- 2. SURFACE FINISH: BLACK
- 3. SPECIFICATIONS SUBJECT TO CHANGE WITHOUT NOTICE



Created on AUTOCAD	DIMENSIONING AND TOLERANCE PER ANSI Y14.5M-1982 UNLESS OTHERWISE SPECIFIED, DIMENSIONS ARE IN INCHES (MM). TOLERANCES .XX = ±.01 (.25) .XXX = ±.005 (.127) .XXXX = ±.0025 (.0635) ANGLE TOL ±1°		PROJECT REFERENCE: <b>2004-112</b>		 <b>Hubbell Premise Wiring</b> HUBBELL INCORPORATED (Delaware) 14 Lord's Hill Road, Stonington, Connecticut 06378	
			MATERIAL: SEE NOTES			
	IN ACCEPTING OUR DRAWINGS, BLUEPRINTS, OR SUPPORTING DOCUMENTATION FOR QUOTATION OR OTHER PURPOSES, YOU AGREE NOT TO DISCLOSE TO OTHERS THE IDEAS, INFORMATION, OR DESIGNS SHOWN HEREIN, AND THAT YOU WILL MAKE NO USE OF SAME WITHOUT PERMISSION		DRAWN BY: GLEN P. EIGO, 8/10/04		TITLE: <b>BRACKET          PANEL MOUNT, BLACK</b>	
			CHECKED BY: DAVE MCBAIN, 8/16/04		SIZE: <b>C</b> DRAWING NO.: <b>C12052</b> REV.: <b>A</b>	
		APPROVED BY: NATE HERRING, 8/16/04		SCALE: <b>NTS</b> SHEET <b>1</b> OF <b>1</b>		

A	5390	8/10/04	INITIAL RELEASE	GPE	NJH
REV.	ECN	DATE	DESCRIPTION	CHG BY	APPD BY