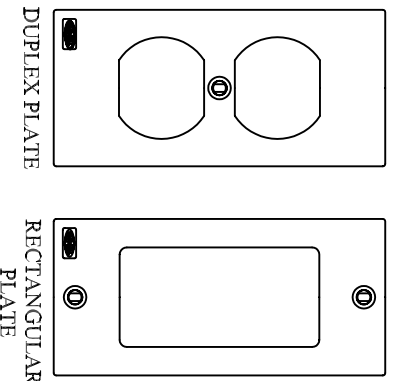
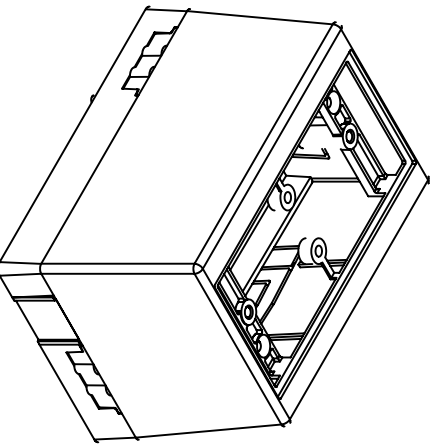
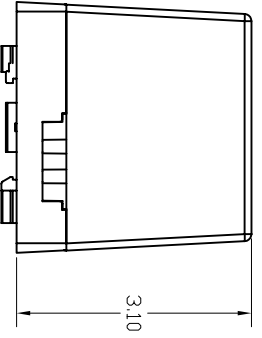
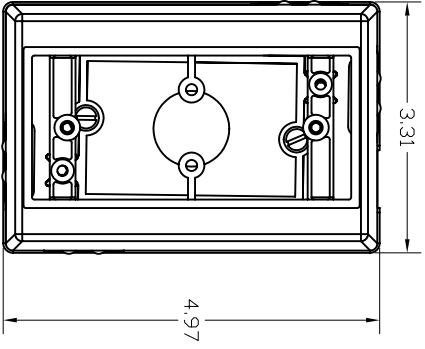


| ITEM NO. | DESCRIPTION                       | QTY. |
|----------|-----------------------------------|------|
| 1        | DIN-RAIL BASE ASSEMBLY            | 1    |
| 2        | DIN-RAIL COVER                    | 1    |
| 3        | DUPLEX PLATE                      | 1    |
| 4        | RECTANGULAR PLATE                 | 1    |
| 5        | DIN-RAIL COVER MOUNTING SCREWS    | 2    |
| 6        | RECTANGULAR PLATE MOUNTING SCREWS | 2    |
| 7        | DUPLEX PLATE MOUNTING SCREWS      | 1    |

| CATALOG NUMBER | COLOR | DESCRIPTION                                  |
|----------------|-------|--|
| HIDRUBCKIT     | GREY  | DIN-RAIL MOUNTING KIT FOR TELECOMMUNICATIONS |



- NOTES:
1. UL/cUL LISTED
  2. UL-94V-0 MATERIAL
  3. RACEWAY KNOCKOUT MTS AND MTT COMPATIBLE.
  4. SPECIFICATIONS SUBJECT TO CHANGE WITHOUT PRIOR NOTICE

|   |      |  |                 |   |         |
|---|------|--|-----------------|---|---------|
| <p>Created on AUTOCAD</p> <p>DIMENSIONING AND TOLERANCE PER UNLESS OTHERWISE SPECIFIED, DIMENSIONS ARE IN INCHES (MM).<br/>TOLERANCES (FRACTIONS)<br/>XXX = ±.005 (1/27)<br/>XXX = ±.0025 (1/200)<br/>XXX = ±.002 (1/125)<br/>XXX = ±.0015 (1/66)</p> |      | <p>PRODUCT REFERENCE:</p> <p>MATERIAL: SEE NOTES</p> <p>DRAWN BY: C. GRIBBLE 3/29/05</p> <p>CHECKED BY:</p> <p>APPROVED BY:</p>                                  |                 | <p>SCALE: 1/2</p> <p>SHEET 1 OF 1</p>   |         |
| <p>IN ACCESSORIES OR SUPPLEMENTARY DOCUMENTATION FOR QUOTATION. THE USER, ARCHITECT, ENGINEER, CONTRACTOR, OR OTHER PARTY THAT YOU WILL MAKE NO USE OF SAME WITHOUT PERMISSION.</p>   |      | <p>HUBBELL<br/>Hubbell<br/>Hubbell</p> <p>Hubbell Premise Wiring<br/>HUBBELL INCORPORATED (Delaware)<br/>14 Lons 8 Hill Road, Springfield, Connecticut 06378</p> |                 | <p>TITLE: DIN-RAIL MOUNTING KIT FOR TELECOMMUNICATIONS CONNECTIVITY</p> <p>DRAWING NO. C12068</p> |         |
| REV. A  | 5553 | 3/29/05  | INITIAL RELEASE | CG  | APPO BY |
| REV.  | ECH  | DATE   | DESCRIPTION     | CHG BY  |         |