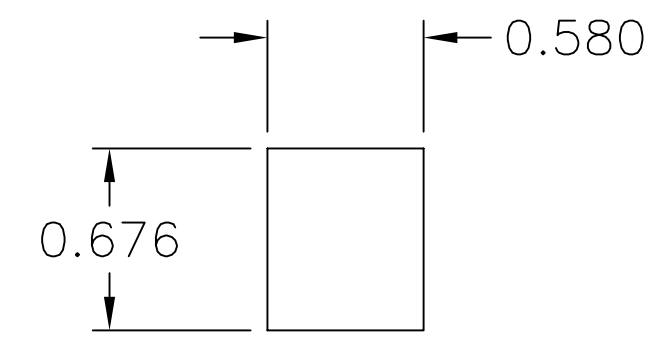
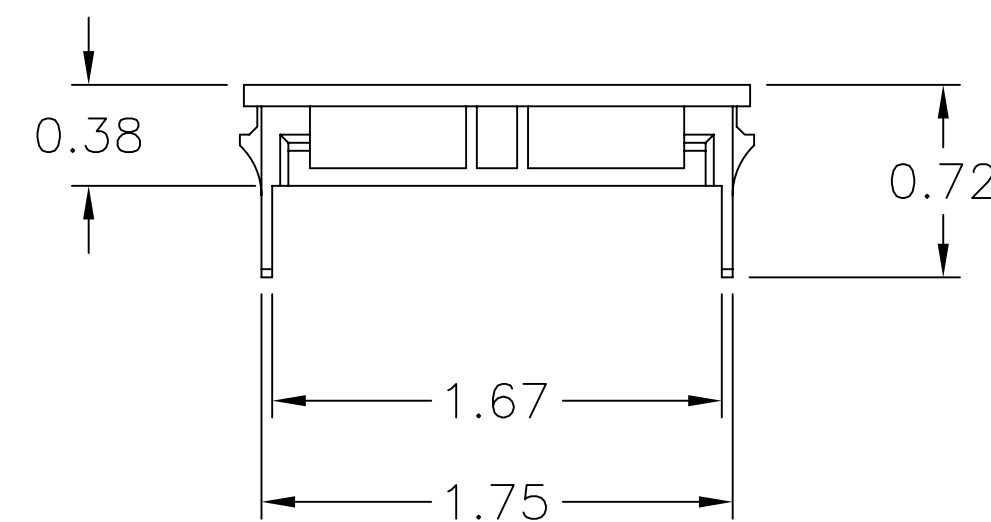
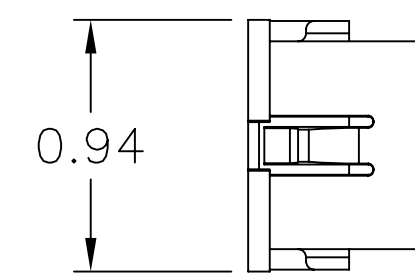
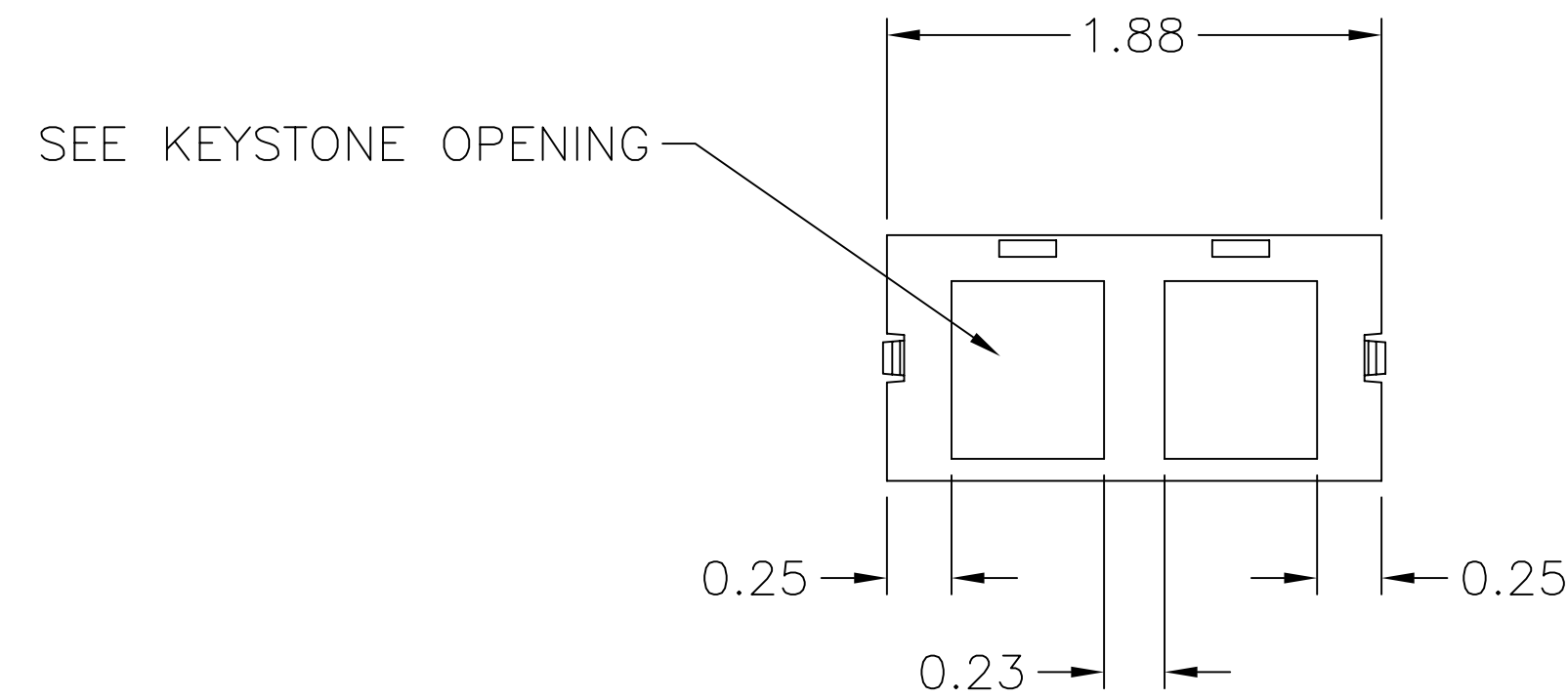
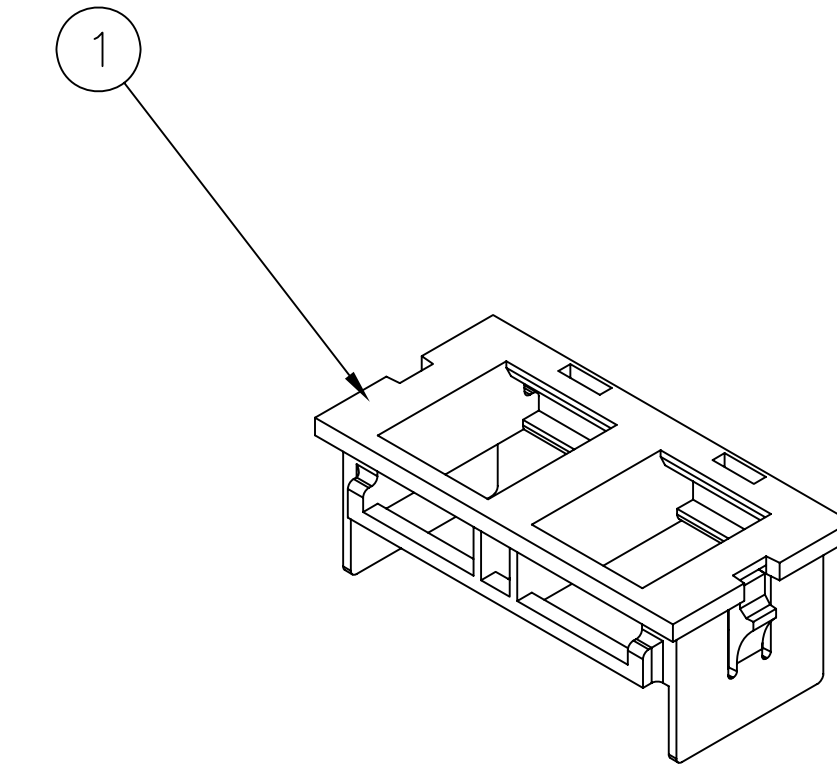


ITEM NO.	DESCRIPTION	QTY.
1	MODULE,2-PORT WIREMOLD	1

CATALOG NUMBER	COLOR	DESCRIPTION
HWM2KI	IVORY	MODULE, 2-PORT WIREMOLD
HWM2KGY	GRAY	MODULE, 2-PORT WIREMOLD
HWM2KW	WHITE	MODULE, 2-PORT WIREMOLD
HWM2KBK10	BLACK	MODULE, 2-PORT WIREMOLD



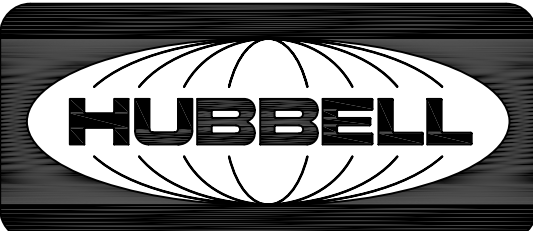
KEYSTONE OPENING



NOTES:

1. WIREMOLD/HUBBELL 2-PORT KEYSTONE MODULE FOR 5507 OPENING
2. UL LISTED
3. CSA LISTED
4. MATERIAL SPECIFICATION: 94 V-0
5. SPECIFICATIONS SUBJECT TO CHANGE WITHOUT PRIOR NOTICE

REV.	ECN	DATE	DESCRIPTION	CHG BY	APPD BY
B	6241	08/15/08	ADDED THE COLOR BLACK	NJR	
A	4742	05/06/02	INITIAL RELEASE	PSM	GK

Created on AUTOCAD	DIMENSIONING AND TOLERANCE PER ANSI Y14.5M-1982 UNLESS OTHERWISE SPECIFIED, DIMENSIONS ARE IN INCHES (MM). TOLERANCES .XX = ±.01 (.25) .XXX = ±.005 (.127) .XXXX = ±.0025 (.0635) ANGLE TOL ±1°	PROJECT REFERENCE:	 Hubbell Premise Wiring HUBBELL INCORPORATED (Delaware) 14 Lord's Hill Road, Stonington, Connecticut 06378
	IN ACCEPTING OUR DRAWINGS, BLUEPRINTS, OR SUPPORTING DOCUMENTATION FOR QUOTATION OR OTHER PURPOSES, YOU AGREE NOT TO DISCLOSE TO OTHERS THE IDEAS, INFORMATION, OR DESIGNS SHOWN HEREIN, AND THAT YOU WILL MAKE NO USE OF SAME WITHOUT PERMISSION	MATERIAL:	
		DRAWN BY: PAUL S. MAGUIRE 05/06/02	SIZE: C DRAWING NO. C773666
		CHECKED BY: PAUL S. MAGUIRE 05/06/02	REV. B
		APPROVED BY: PAUL S. MAGUIRE 05/06/02	SCALE: 1/1 SHEET 1 OF 1