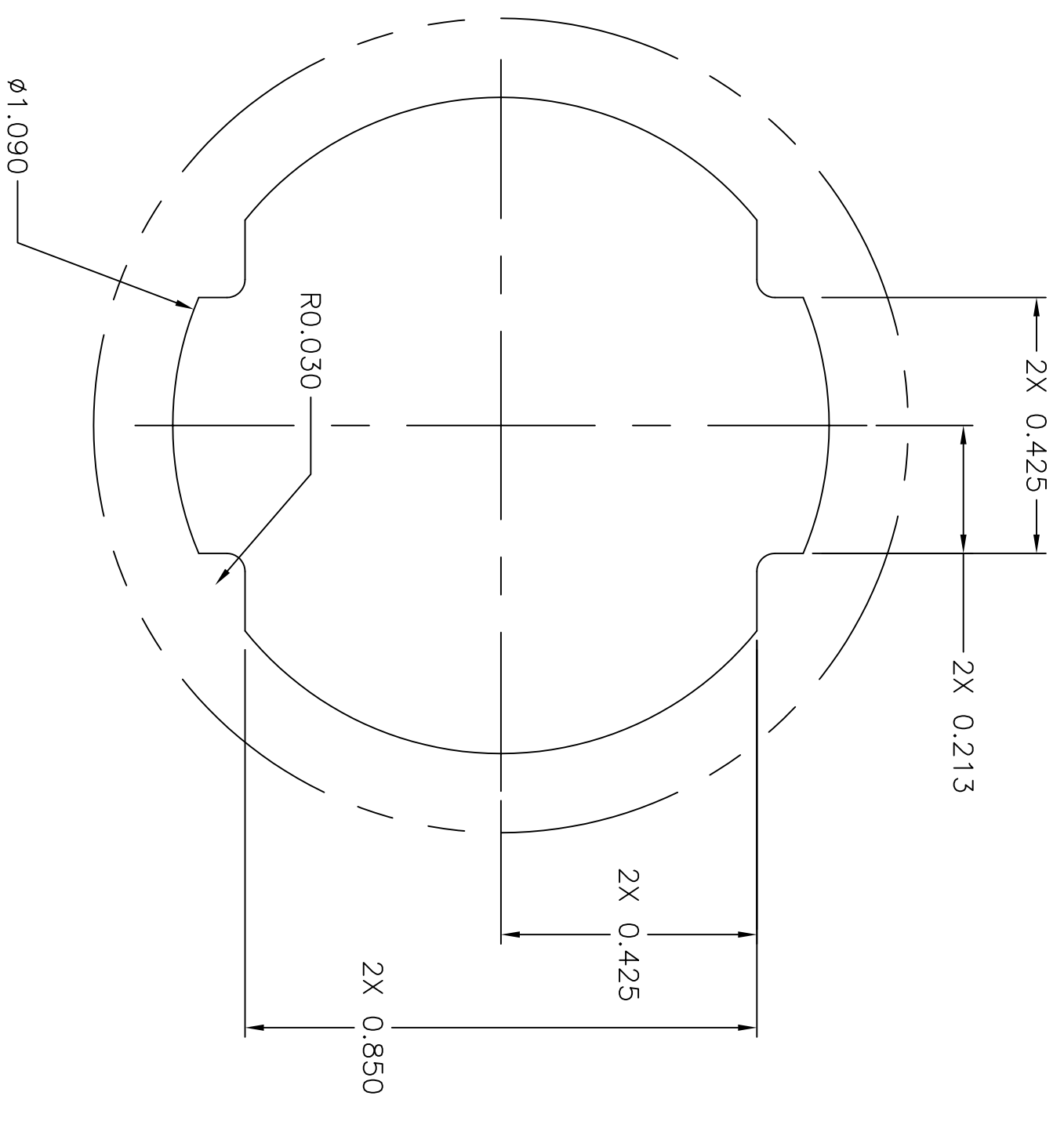
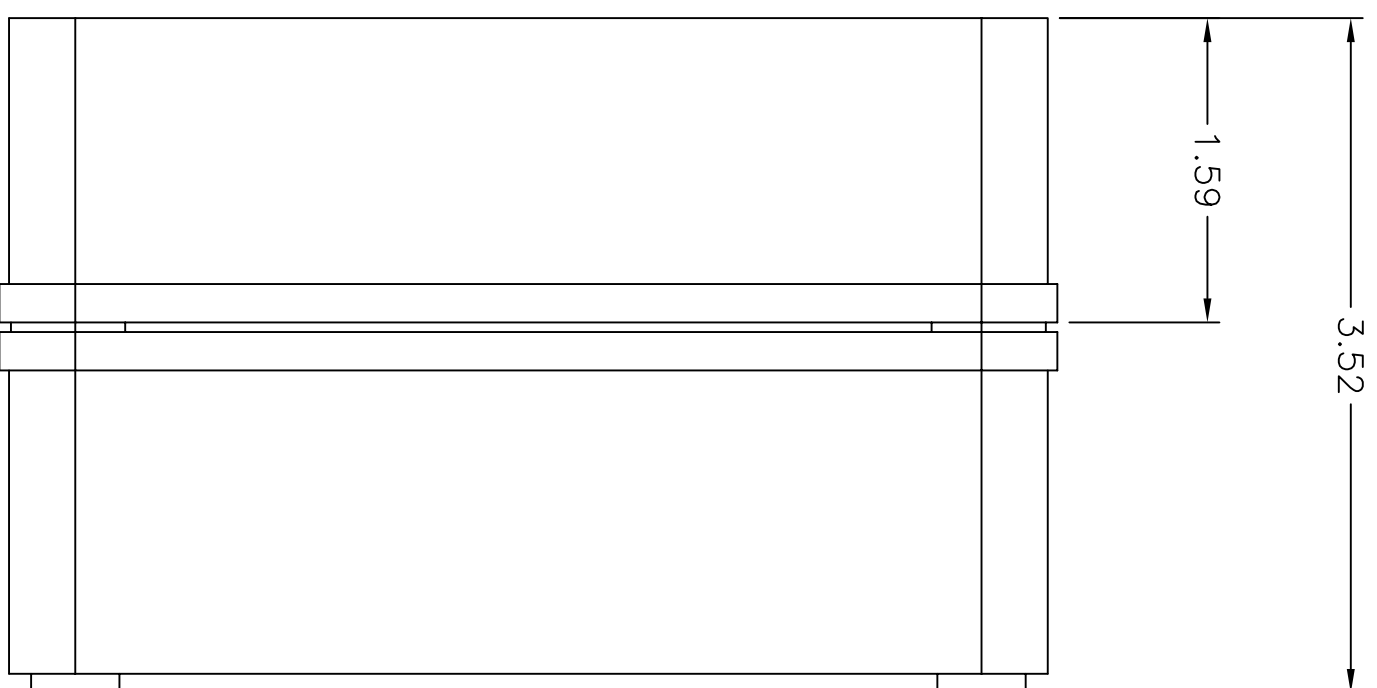
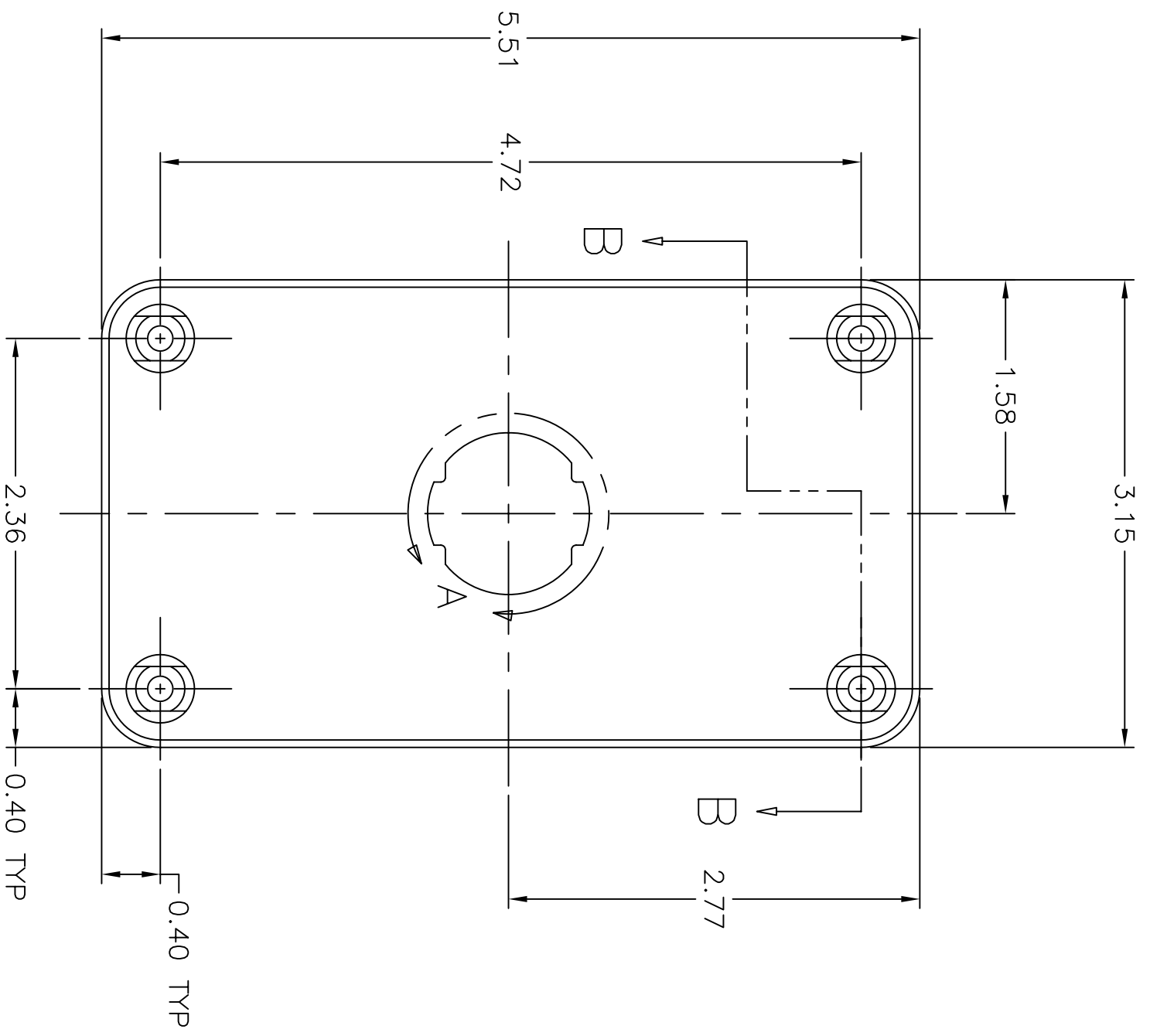
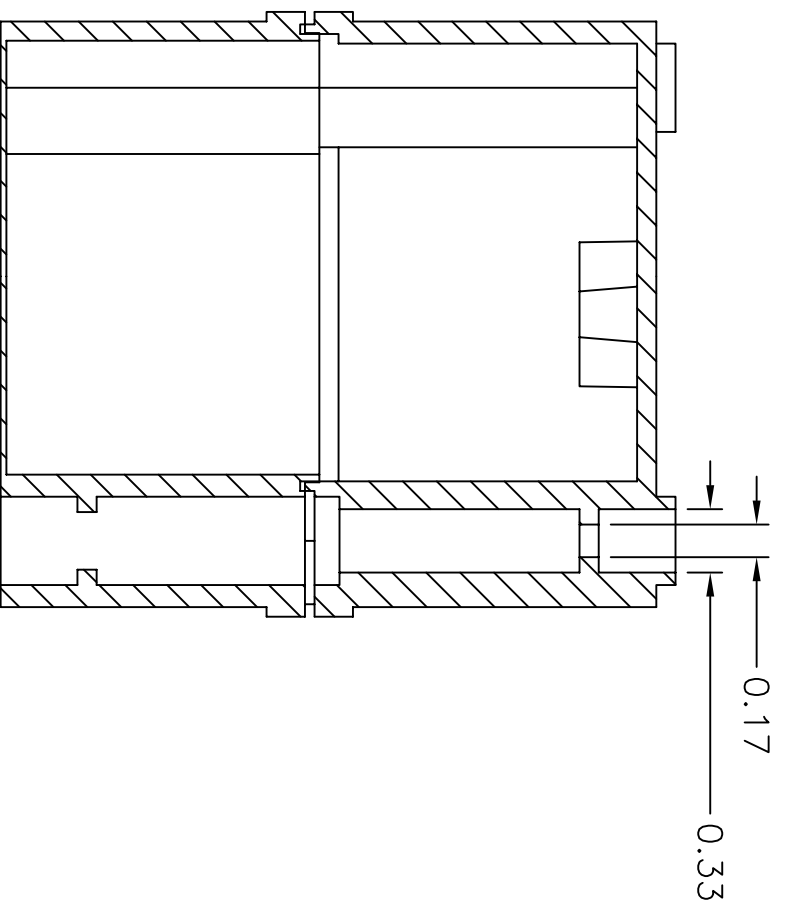


CATALOG NUMBER	COLOR	DESCRIPTION
H114XGY	GRAY	1 PORT, NEMA 4X BOX



DETAIL A  
SCALE 4/1

- NOTES:
- SPECIFICATION SUBJECT TO CHANGE WITHOUT NOTICE
  - INCLUDES 4 COVER SCREWS.



SECTION B-B

REV.	ECN	DATE	DESCRIPTION	CHG BY	APPD BY
C	5677	8/12/05	ADDED SECTION VIEW	GPE	DPO
B	5674	8/2/05	ADDED HOLE PLACEMENT DIMENSIONS	GPE	GPE
A	5620	5/27/05	INITIAL RELEASE	GPE	GK

Created on AUTOCAD	
DIMENSIONING AND TOLERANCE PER ANSI Y14.5M-1982 UNLESS OTHERWISE SPECIFIED, DIMENSIONS ARE IN INCHES (MM). TOLERANCES .XX = ±0.01 (.25) .XXX = ±0.005 (.127) .XXXX = ±0.0025 (.0635) ANGLE TOL ±1°	IN ACCEPTING OUR DRAWINGS, BLUEPRINTS, OR SUPPORTING DOCUMENTATION FOR QUOTATION OR OTHER PURPOSES, YOU AGREE NOT TO DISCLOSE TO OTHERS THE IDEAS, INFORMATION, OR DESIGNS SHOWN HEREIN, AND THAT YOU WILL MAKE NO USE OF SAME WITHOUT PERMISSION
PROJECT REFERENCE:	DRAWN BY: GLENN P. EICO, 5/27/05
MATERIAL: GLASS FILLED POLYCARBONATE	CHECKED BY:
	APPROVED BY: GLENN KIERSTEAD, 5/31/05

 <p><b>Hubbell</b></p>		<p><b>Hubbell Premise Wiring</b> HUBBELL INCORPORATED (Delaware) 14 Lord's Hill Road, Stonington, Connecticut 06378</p>	
TITLE: BOX, NEMA 4X, 1 PORT		SIZE C	DRAWING NO. 774006C
SCALE: NTS		SHEET 1	OF 1
REV. C			