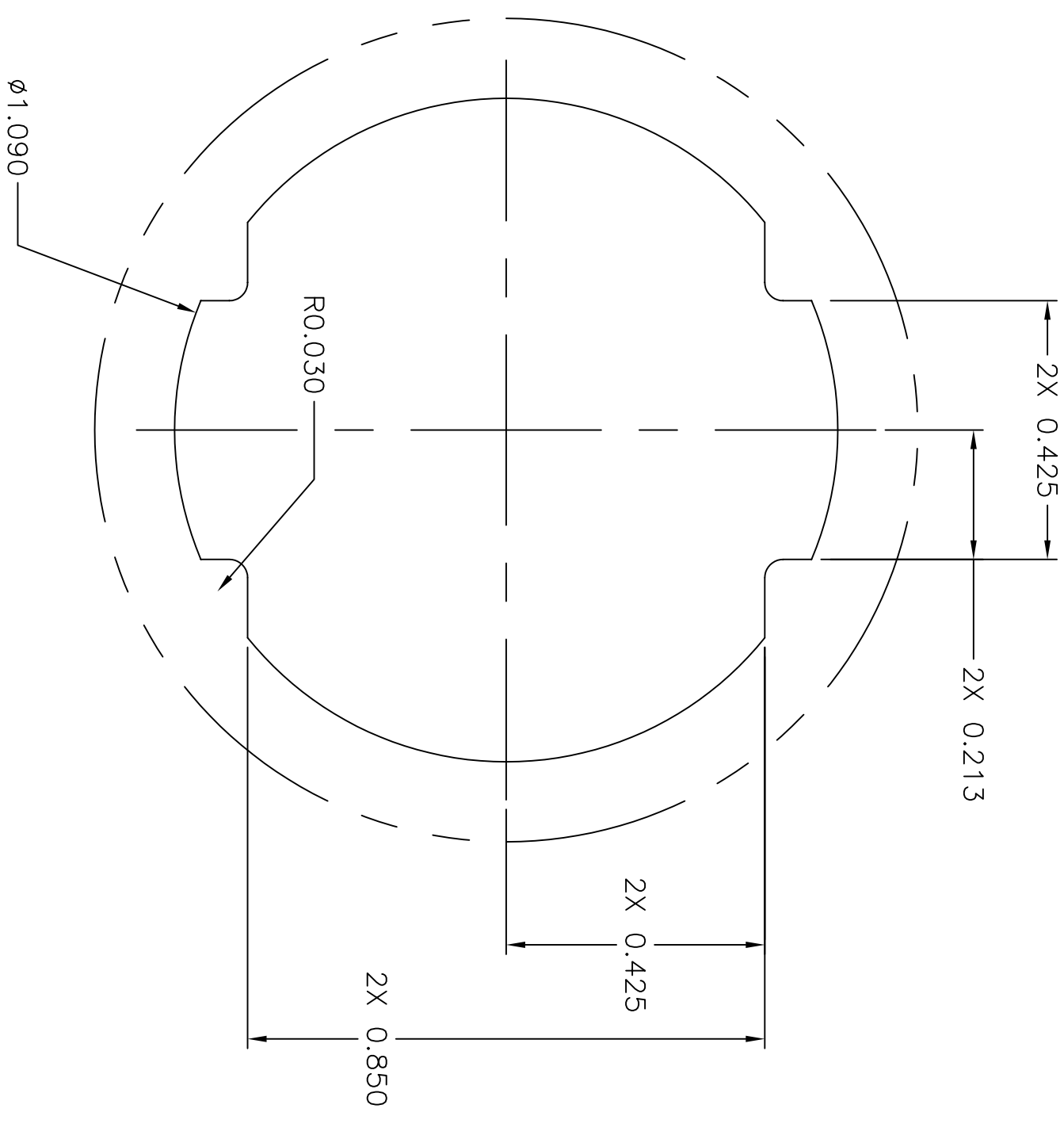
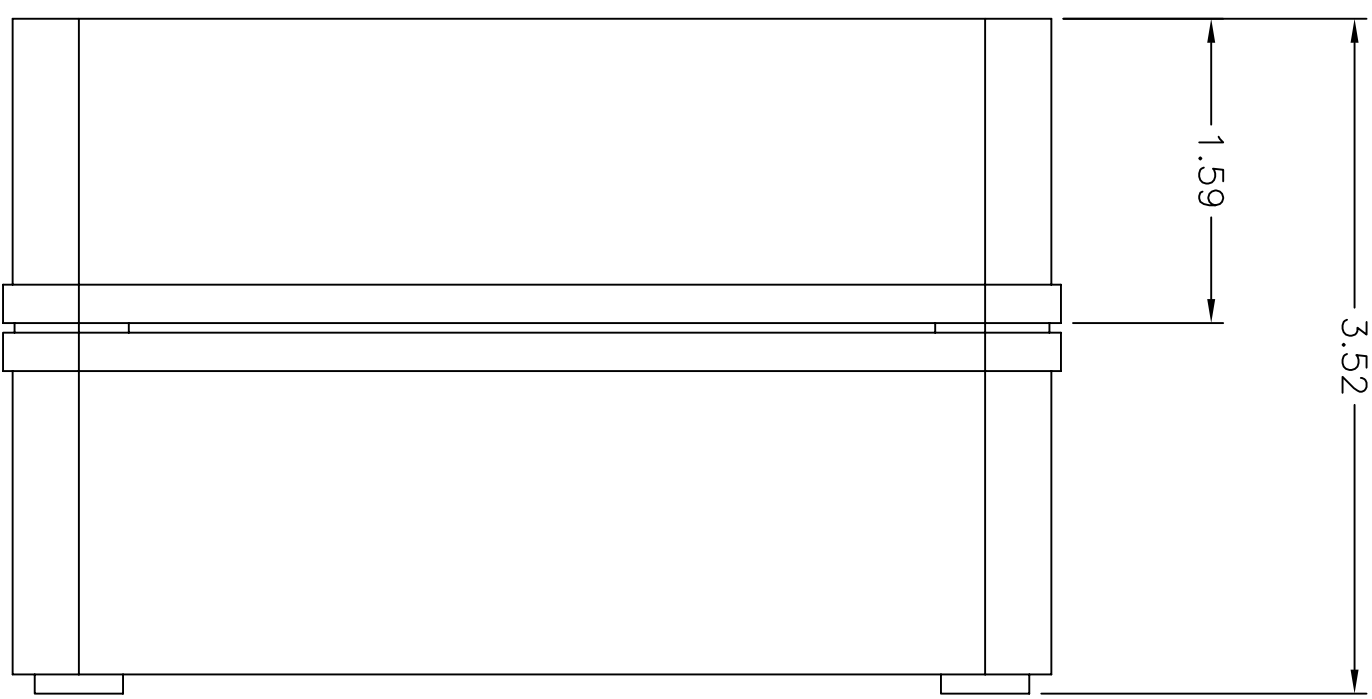
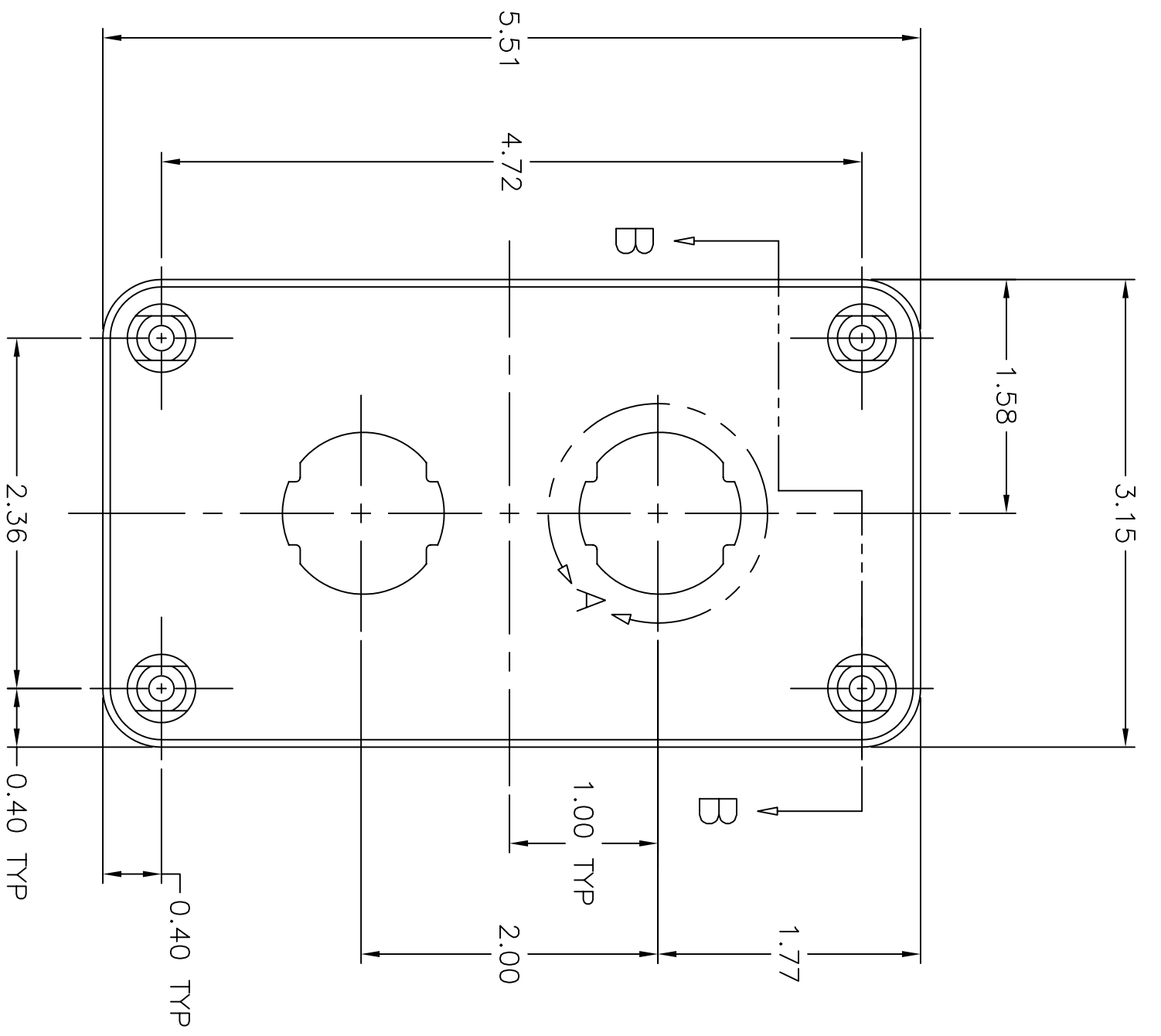
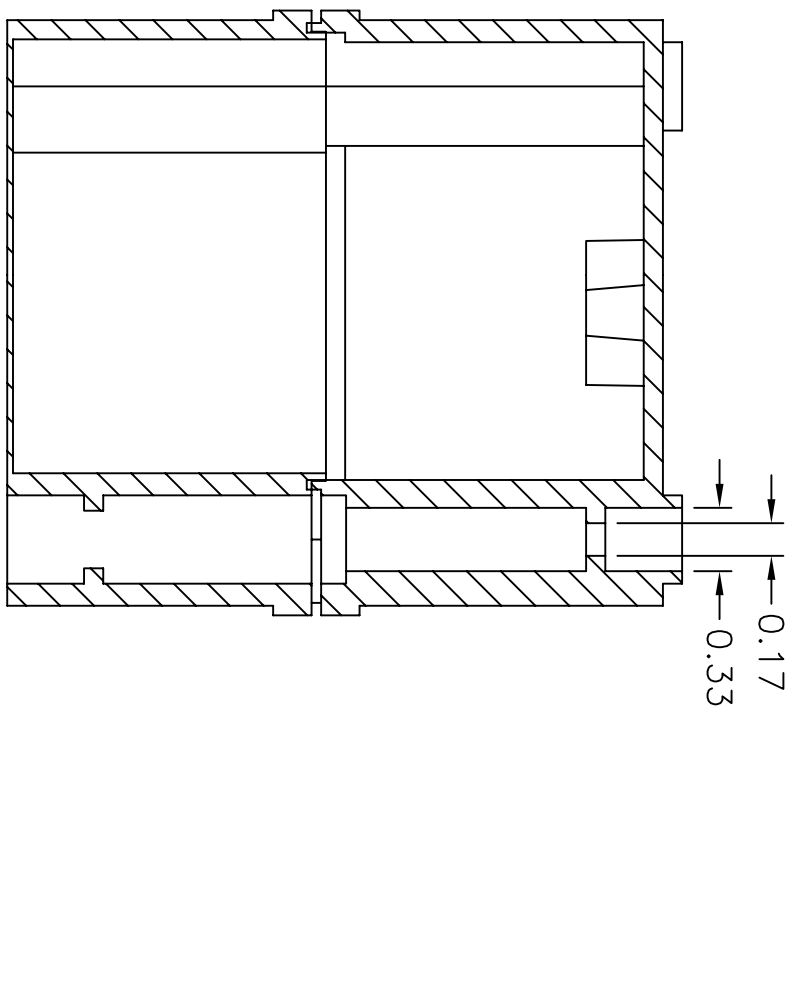


CATALOG NUMBER	COLOR	DESCRIPTION
H124XGY	GRAY	2 PORT, NEMA 4X BOX



DETAIL A
SCALE 4/1



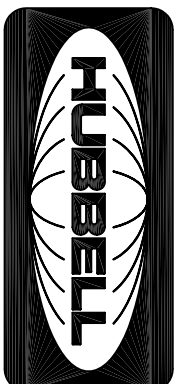
SECTION B—B

REV.	ECN	DATE	DESCRIPTION	CHG BY	APPD BY
C	5677	8/11/05	ADDED SECTION VIEW	GPE	DPO
B	5674	8/2/05	ADDED HOLE PLACEMENT DIMENSIONS	GPE	GPE
A	5604	5/16/05	INITIAL RELEASE	GPE	GK

Created on AUTOCAD

DIMENSIONING AND TOLERANCE PER
ANSI Y14.5M-1982
UNLESS OTHERWISE SPECIFIED,
DIMENSIONS ARE IN INCHES (MM).
TOLERANCES
.XX = ±.01 (.25)
.XXX = ±.005 (.127)
.XXXX = ±.0025 (.0635)
ANGLE TOL ±1°

PROJECT REFERENCE:
MATERIAL:
GLASS FILLED POLYCARBONATE
DRAWN BY:
GLENN P. EICO, 5/16/05
CHECKED BY:
APPROVED BY:
GLENN KIERSTEAD, 5/31/05



Hubbell Premise Wiring
HUBBELL INCORPORATED (Delaware)
14 Lord's Hill Road, Stonington, Connecticut 06378

TITLE:
BOX, NEMA 4X, 2 PORT

SIZE	DRAWING NO.	REV.
C	774007C	C
SCALE:	NTS	SHEET 1 OF 1

- NOTES:
- SPECIFICATION SUBJECT TO CHANGE WITHOUT NOTICE
 - INCLUDES 4 COVER SCREWS.