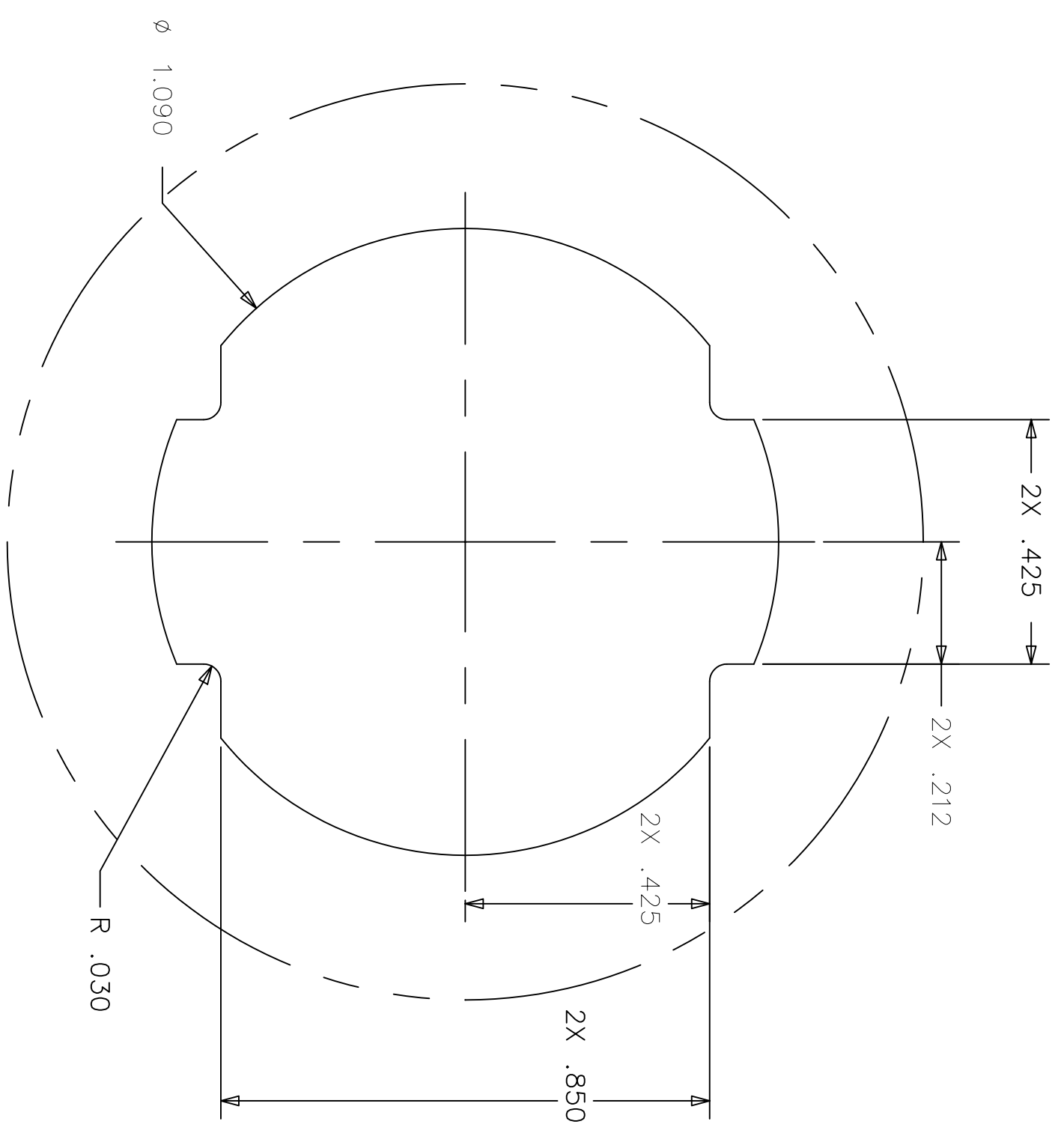
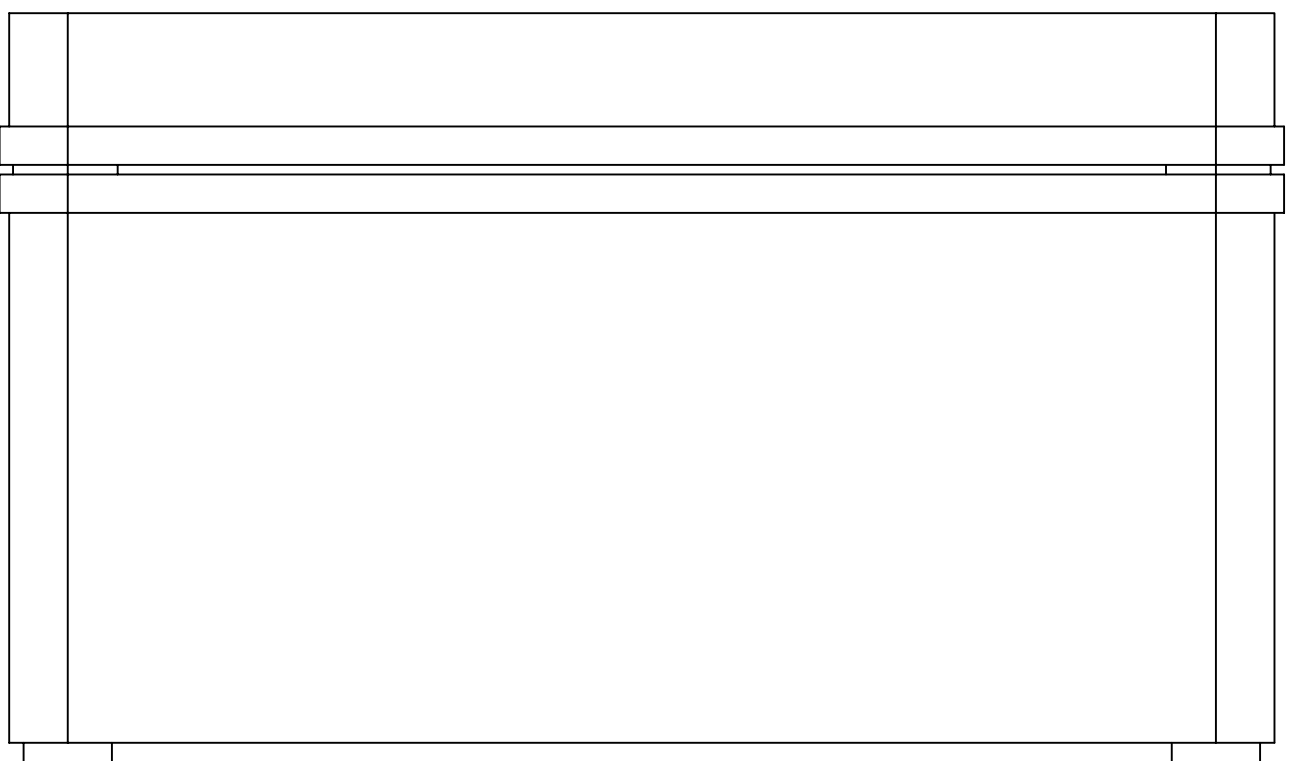
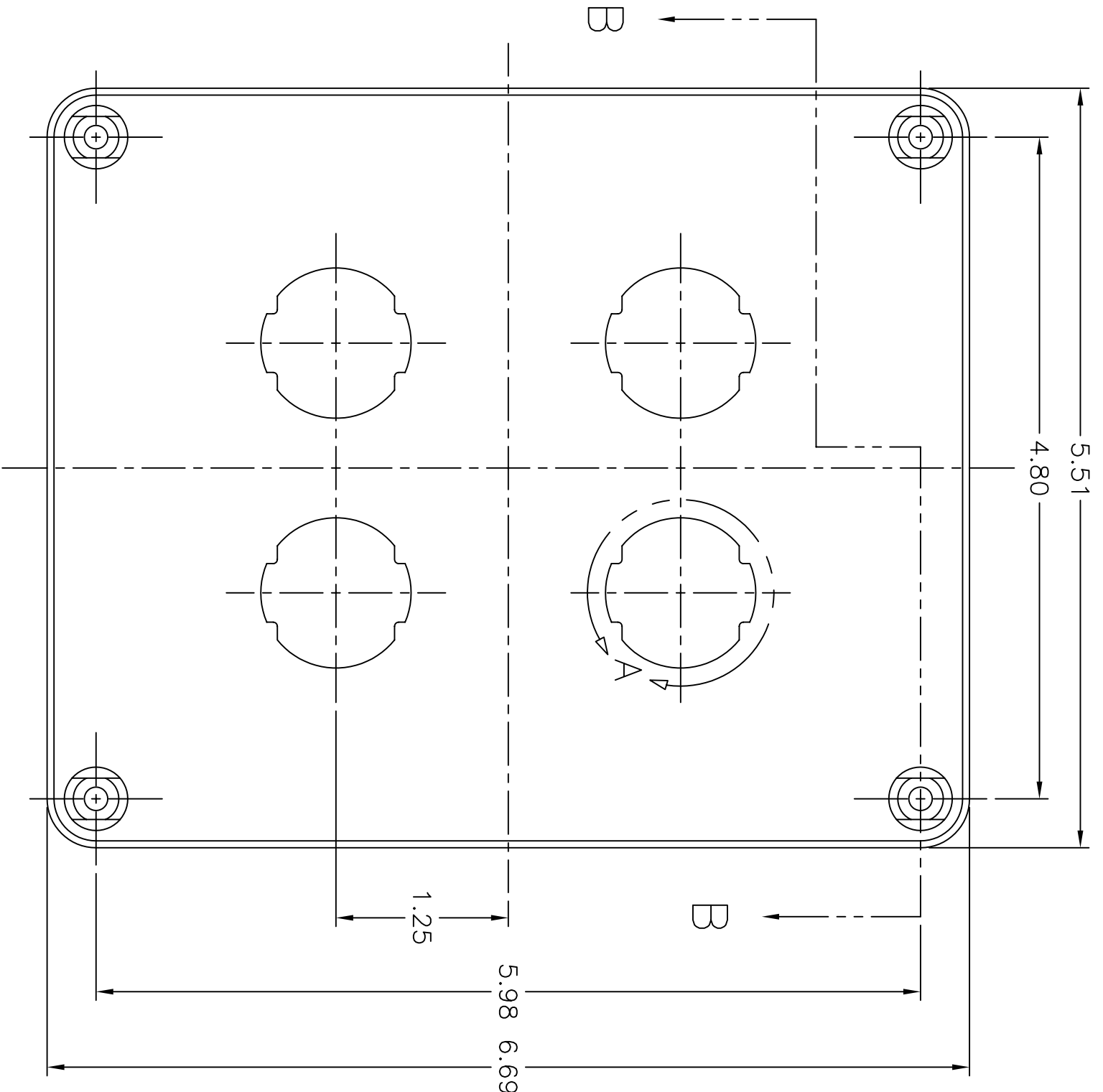
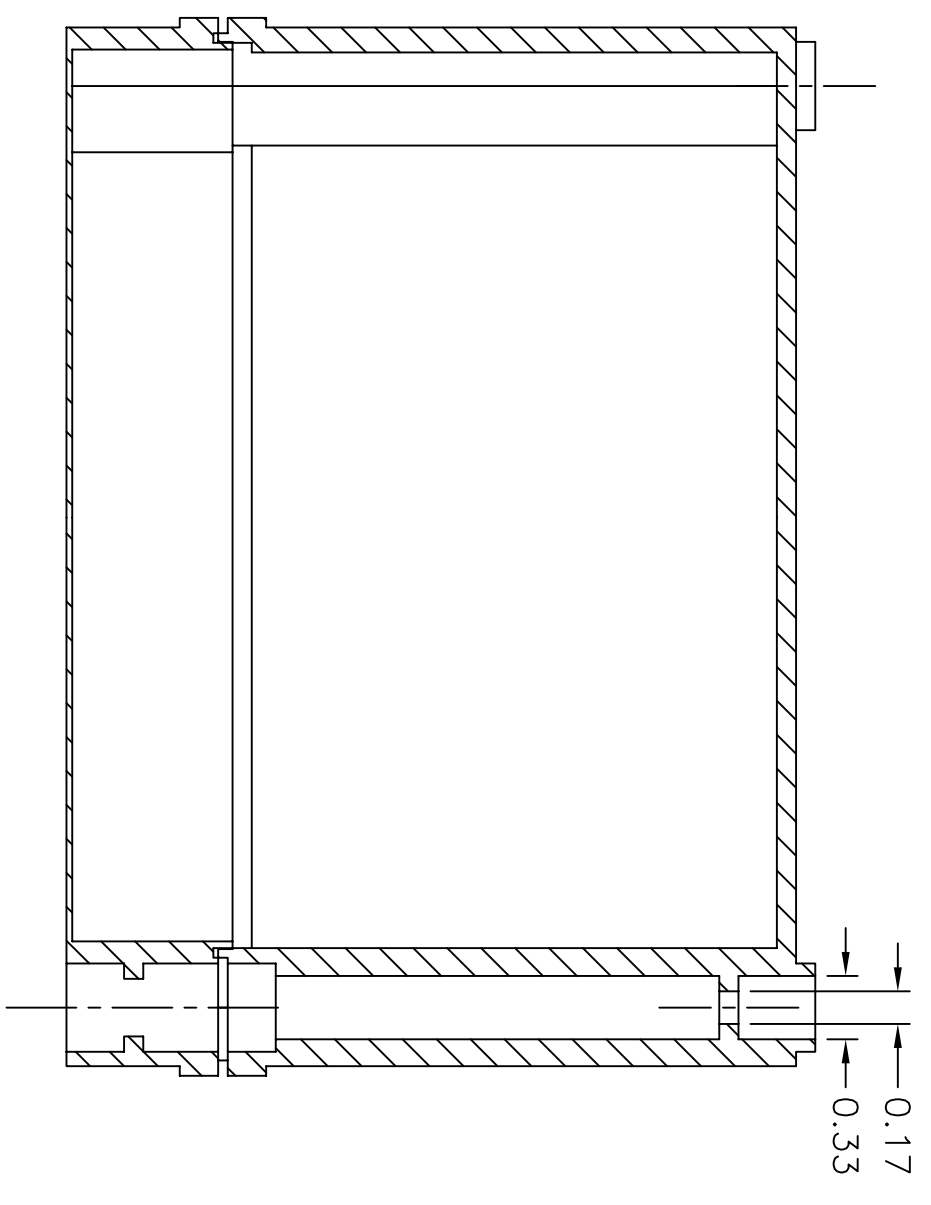


CATALOG NUMBER	COLOR	DESCRIPTION
H144XGY	GRAY	4 PORT, NEMA 4X BOX



DETAIL A  
SCALE 4/1

- NOTES:
1. SPECIFICATIONS SUBJECT TO CHANGE WITHOUT NOTICE
  2. INCLUDES 4 COVER SCREWS.



SECTION B-B

REV.	ECN	DATE	DESCRIPTION	CHG BY	APPD BY
C	5677	8/10/05	ADDED SECTION VIEW	GPE	GPE
B	5674	8/2/05	ADDED HOLE PLACEMENT DIMENSIONS	GPE	GPE
A	5620	5/27/05	INITIAL RELEASE	GPE	GK

Created on AUTOCAD

DIMENSIONING AND TOLERANCE PER ANSI Y14.5M-1982  
UNLESS OTHERWISE SPECIFIED, DIMENSIONS ARE IN INCHES (MM).  
TOLERANCES  
.X = ±.03 (.8)  
.XX = ±.02 (.4)  
.XXX = ±.010 (.25)  
ANGLE TOL ±1°

PROJECT REFERENCE:  
MATERIAL: GLASS FILLED POLYCARBONATE

DRAWN BY: GLEN P. EICO, 5/27/05  
CHECKED BY:  
APPROVED BY: GLENN KIERSTEAD, 5/31/05

HUBBELL  
Hubbell Premise Wiring  
HUBBELL INCORPORATED (Delaware)  
14 Lord's Hill Road, Stonington, Connecticut 06378

TITLE: BOX, NEMA 4X, 4 PORT

SIZE: C  
DRAWING NO. 774008C  
SCALE: NTS  
SHEET 1 OF 1

REV. C