

6

5

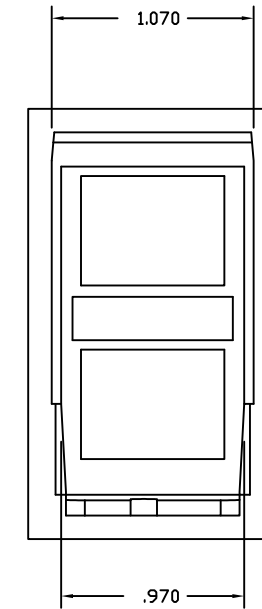
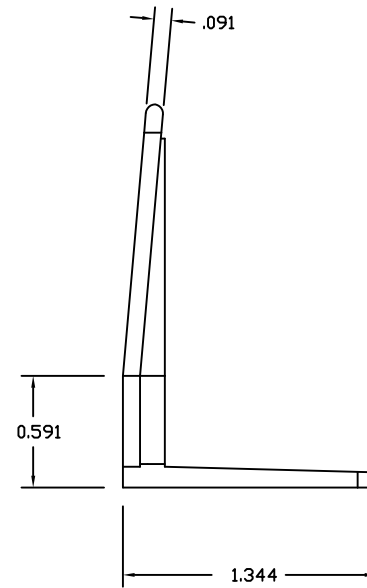
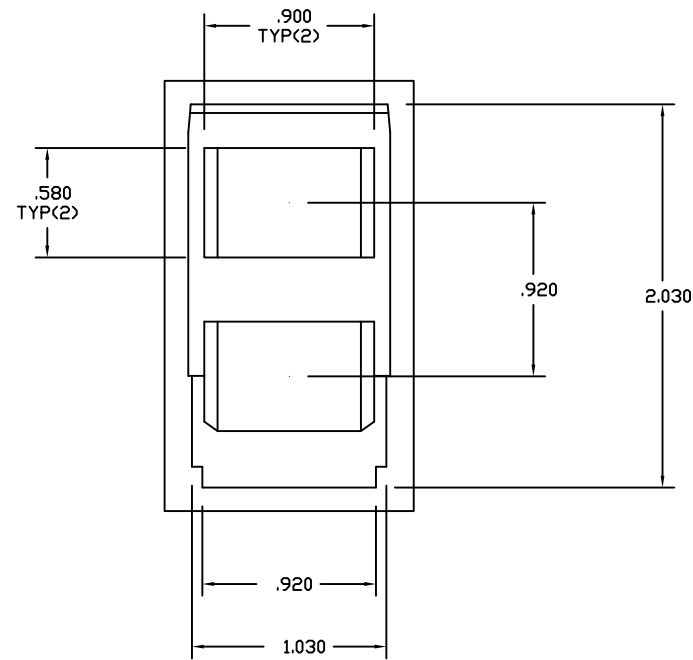
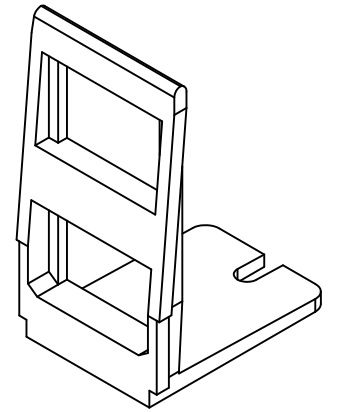
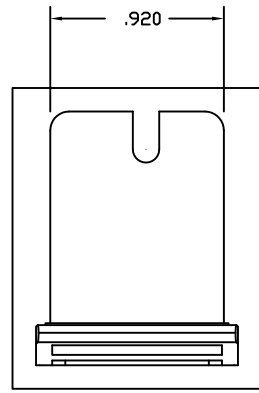
4

3

2

1


CATALOG NO.	DESCRIPTION
AMOB2J10	AMO ADAPTER BRACKET HOUSING, DUAL JACK, 10 PACK



NOTES:

- FOR USE WITH CATALOG NO. AMO, BASE UNIT HOUSING/MULTIMEDIA BOXES.
- COLOR: OFFICE WHITE.
- SPECIFICATIONS SUBJECT TO CHANGE WITHOUT PRIOR NOTICE.

1	21405	08/11/16	INITIAL RELEASE	JJRJ	MMA
REV.	ECN	DATE	DESCRIPTION	CHG BY	APPD BY

Created on AUTOCAD	DIMENSIONING AND TOLERANCE PER ANSI Y14.5M-1982 UNLESS OTHERWISE SPECIFIED, DIMENSIONS ARE IN INCHES (MM). TOLERANCES .XX = ±.01 (.25) .XXX = ±.005 (.127) .XXXX = ±.0025 (.0635) ANGLE TOL ±1°		PROJECT REFERENCE:		 Hubbell Premise Wiring HUBBELL INCORPORATED (Delaware) 23 CLARA DRIVE, SUITE 103 MYSTIC, CT 06355	
	IN ACCEPTING OUR DRAWINGS, BLUEPRINTS, OR SUPPORTING DOCUMENTATION FOR QUOTATION OR OTHER PURPOSES, YOU AGREE NOT TO DISCLOSE TO OTHERS THE IDEAS, INFORMATION, OR DESIGNS SHOWN HEREIN, AND THAT YOU WILL MAKE NO USE OF SAME WITHOUT PERMISSION		MATERIAL: POLYCARBONATE			TITLE: MODULE, HD (DOUBLE), AMO
			DRAWN BY: J. RUOT-JACKSON 08/11/16		SIZE: B	DRAWING NO. 778229C
			CHECKED BY:		SCALE: 1/1	SHEET 1 OF 1
		APPROVED BY:		REV. 1		