

6

5

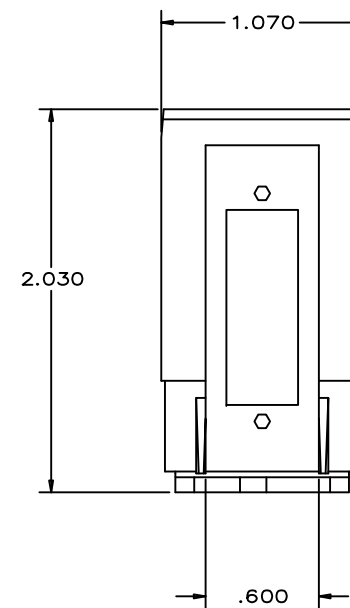
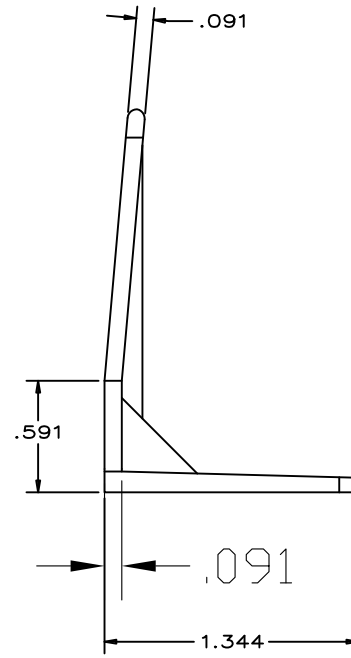
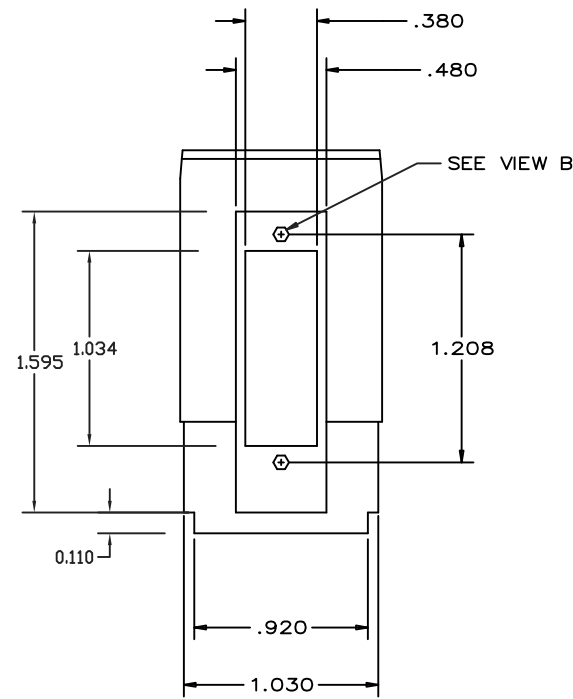
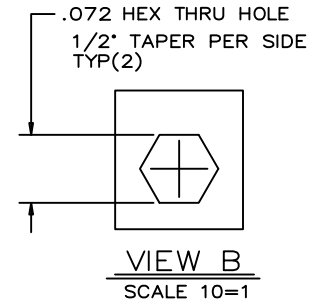
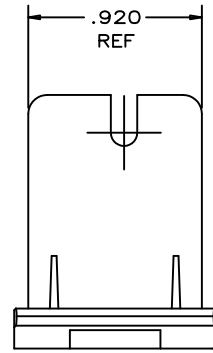
4

3

2

1

CATALOG NO.	DESCRIPTION
AMOBSCD	AMO ADAPTER BRACKET HOUSING FOR 1 SC DUPLEX ADAPTER



NOTES:

- FOR USE WITH CATALOG NO. AMO, BASE UNIT HOUSING/MULTIMEDIA BOXES.
- COLOR: OFFICE WHITE.
- SPECIFICATIONS SUBJECT TO CHANGE WITHOUT PRIOR NOTICE.


1	21405	08/15/16	INITIAL RELEASE	JJRJ	
REV.	ECN	DATE	DESCRIPTION	CHG BY	APPD BY

Created on AUTOCAD

DIMENSIONING AND TOLERANCE PER ANSI Y14.5M-1982 UNLESS OTHERWISE SPECIFIED, DIMENSIONS ARE IN INCHES (MM).  
 TOLERANCES  
 .XX = ±.01 (.25)  
 .XXX = ±.005 (.127)  
 .XXXX = ±.0025 (.0635)  
 ANGLE TOL ±1°

IN ACCEPTING OUR DRAWINGS, BLUEPRINTS, OR SUPPORTING DOCUMENTATION FOR QUOTATION OR OTHER PURPOSES, YOU AGREE NOT TO DISCLOSE TO OTHERS THE IDEAS, INFORMATION, OR DESIGNS SHOWN HEREIN, AND THAT YOU WILL MAKE NO USE OF SAME WITHOUT PERMISSION

PROJECT REFERENCE:
MATERIAL: POLYCARBONATE
DRAWN BY: J. RUOT-JACKSON 08/11/16
CHECKED BY:
APPROVED BY:

 <b>Hubbell Premise Wiring</b> HUBBELL INCORPORATED (Delaware) 23 CLARA DRIVE, SUITE 103 MYSTIC, CT 06355	
TITLE: MODULE, SC DUPLEX, AMO	
SIZE <b>B</b>	DRAWING NO. <b>778231C</b>
SCALE: 1/1	SHEET 1 OF 1
REV. <b>1</b>	

D

D

C

C

B

B

A

A