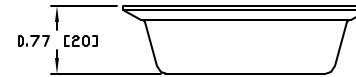
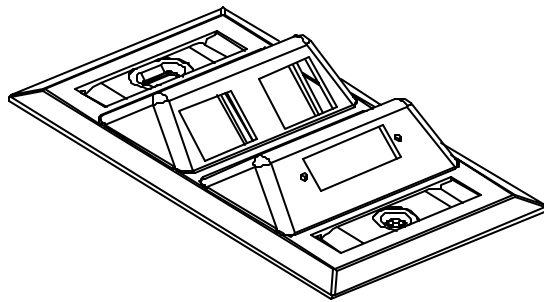
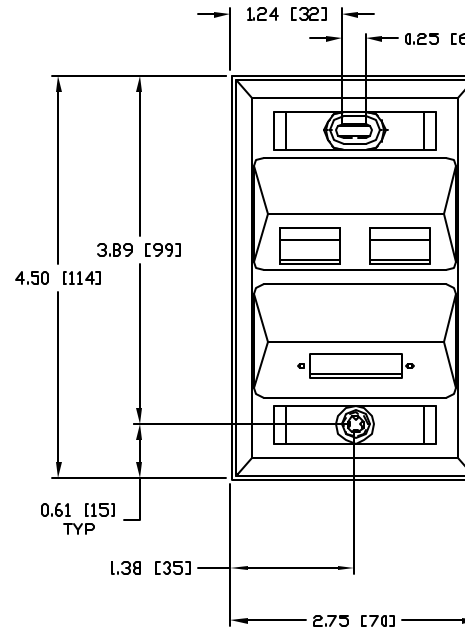


PARTS INCLUDED		
DESCRIPTION	QTY.	
1 ANGLED FACEPLATE	1	
2 COVER LABEL	2	
3 SCREW, #6-32 X 3/4	2	
4 INSTRUCTION SHEET	1	

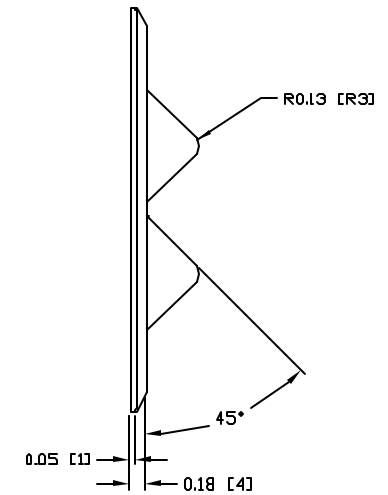
COLOR	CATALOG No.
OFFICE WHITE	AFP12SCD
TEL CO IVORY	AFP12SCDI
GRAY	AFP12SCDG
WHITE	AFP12SCDW



TOP VIEW




FRONT VIEW



RIGHT SIDE VIEW

NOTES:

1. FACEPLATES ARE UL (#E129878 AND CSA (#LR80837) LISTED.
2. FACEPLATES ARE MADE FROM HIGH IMPACT 94 V-0 RATED THERMOPLASTIC
3. SUPPORTS MULTI-MEDIA APPLICATIONS AT THE STATION SITE
4. COMPATIBLE WITH (SM/MM) DUPLEX SC ADAPTERS (SOLD SEPARATELY)
5. ADAPTERS AND JACKS ARE MOUNTED AT 45° DOWNWARD ANGLE
6. SUPPORT 606 COMPLIANT LOCATION LABEL
7. AVAILABLE IN FOUR COLORS
8. SPECIFICATIONS SUBJECT TO CHANGE WITHOUT NOTICE

Created on V-14 AUTOCAD	DIMENSIONING AND TOLERANCE PER ANSI Y14.5M-1992 UNLESS OTHERWISE SPECIFIED, DIMENSIONS ARE IN INCHES (MM).		PROJECT REFERENCE:		 <b>Hubbell Premise Wiring</b> HUBBELL INCORPORATED (Delaware) 14 Lord's Hill Road, Stonington, Connecticut 06378	
	TOLERANCES .XX = ±.01 (.25) .XXX = ±.005 (.127) .XXXX = ±.0025 (.0635) ANGLE TOL ±1°		MATERIAL:			
	IN ACCEPTING OUR DRAWINGS, BLUEPRINTS, OR SUPPORTING DOCUMENTATION FOR QUOTATION OR OTHER PURPOSES, YOU AGREE NOT TO DISCLOSE TO OTHERS THE IDEAS, INFORMATION, OR DESIGN SHOWN HEREIN, AND THAT YOU WILL MAKE NO USE OF SAME WITHOUT PERMISSION		DRAWN BY: D. SCIONTI 5/10/99			TITLE: AFP 12 SERIES ANGLED FACEPLATES
			CHECKED BY:			SIZE: DRAWING NO. C C778400
		APPROVED BY:		REV. A	SCALE: NONE	
				SHEET 1 OF 1		

REV.	ECN	DATE	DESCRIPTION	CHG BY	APPD BY
A	3473	05/10/99	INITIAL RELEASE	DTS	