

4

3

2

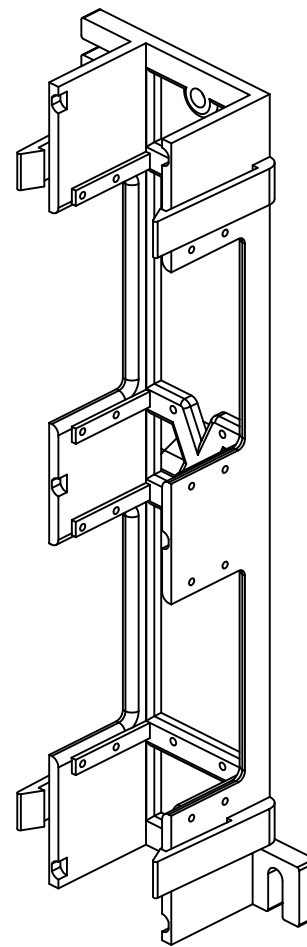
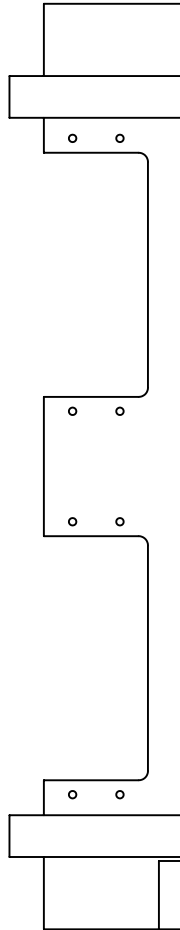
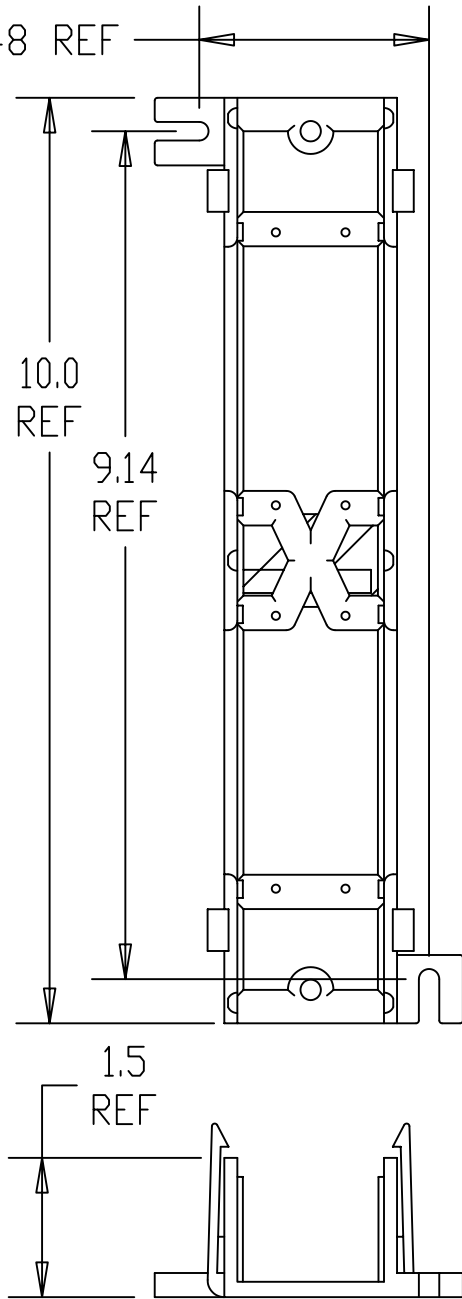
1

2.48 REF

10.0 REF

9.14 REF

1.5 REF



A

5452 10/18/04

INITIAL RELEASE

RR

REV.	ECN	DATE	DESCRIPTION	CHG BY	APPD BY

DIMENSIONING AND TOLERANCE PER ANSI Y14.5M-1982 UNLESS OTHERWISE SPECIFIED, DIMENSIONS ARE IN INCHES (MM).
 TOLERANCES
 .XX = ±.01 (.25)
 .XXX = ±.005 (.127)
 .XXXX = ±.0025 (.0635)
 ANGLE TOL ±1°

IN ACCEPTING OUR DRAWINGS, BLUEPRINTS, OR SUPPORTING DOCUMENTATION FOR QUOTATION OR OTHER PURPOSES, YOU AGREE NOT TO DISCLOSE TO OTHERS THE IDEAS, INFORMATION, OR DESIGNS SHOWN HEREIN, AND THAT YOU WILL MAKE NO USE OF SAME WITHOUT PERMISSION

PROJECT REFERENCE:

MATERIAL:

DRAWN BY:
R. RUETSCH, 10/18/04

CHECKED BY:
C. DUSSAULT 10/22/04

APPROVED BY:
D. MCBAIN 10/26/04



Hubbell Premise Wiring
 HUBBELL INCORPORATED (Delaware)
 14 Lord's Hill Road, Stonington, Connecticut 06378

TITLE: MOUNTING BRACKET, HPW89D

SIZE	DRAWING NO.	REV.
A	C11367	A

SCALE: NTS SHEET 1 OF 1

D

D

C

C

B

B

A

A

Created on AUTOCAD