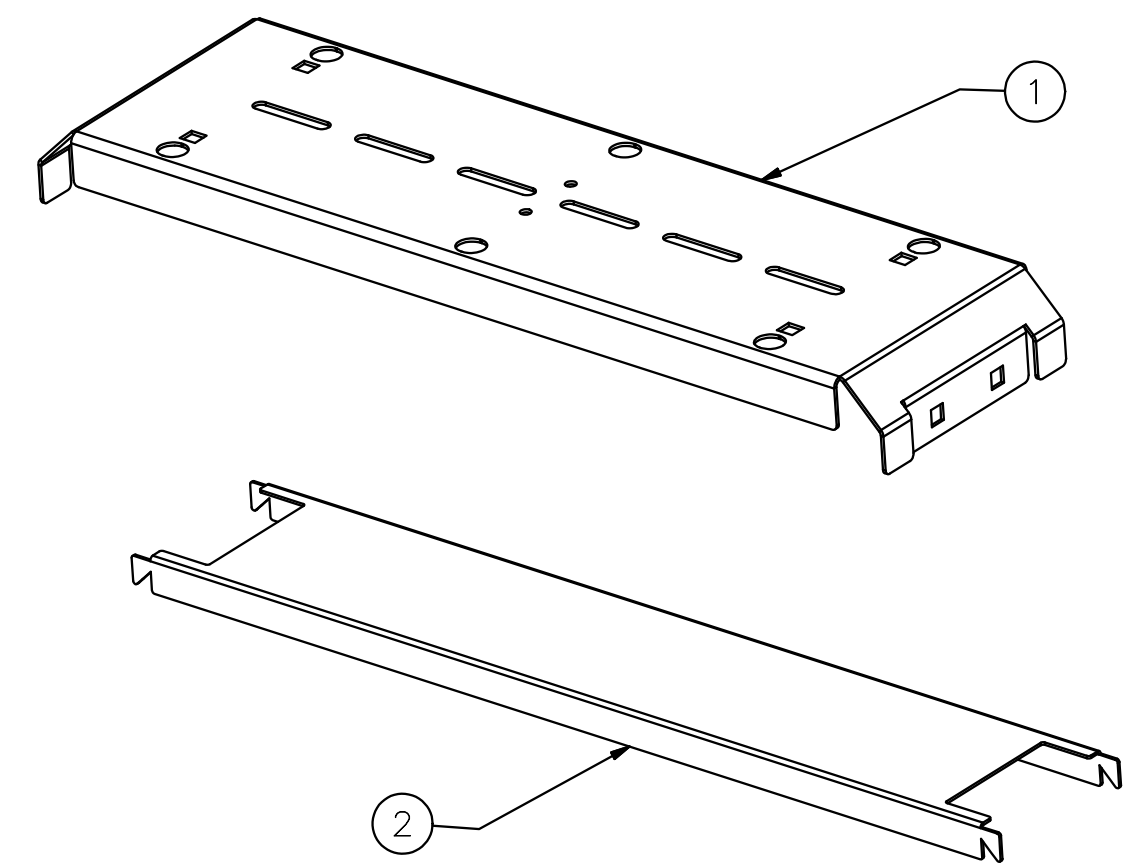
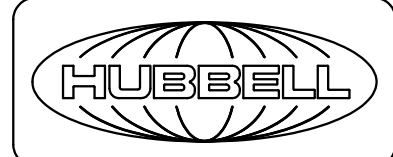


ITEM	DESCRIPTION	QTY
1	I-FRAME TOP 23" SPACER	1
2	I-FRAME BOTTOM 23" SPACER	1
3	FLOOR MOUNTING TEMPLATE	1

CATALOG NO.	DESCRIPTION
ICK23	23" IFRAME SPACER KIT



NOTES:  
 1. SURFACE FINISH: BLACK POWDER COAT  
 2. SPECIFICATIONS SUBJECT TO CHANGE WITHOUT NOTICE.

Created on INVENTOR	DIMENSIONING AND TOLERANCE PER ANSI Y14.5M-1982 UNLESS OTHERWISE SPECIFIED, DIMENSIONS ARE IN INCHES (MM). TOLERANCES: XX = ±.01 (.25) .XXX = ±.005 (.127) .XXXX = ±.0025 (.0635) ANGLE TOL ±1°		PROJECT REFERENCE:		 <b>Hubbell Premise Wiring</b> HUBBELL INCORPORATED (Delaware) 23 CLARA DRIVE, SUITE 103 MYSTIC, CT 06355	
	IN ACCEPTING OUR DRAWINGS, BLUEPRINTS, OR SUPPORTING DOCUMENTATION FOR QUOTATION OR OTHER PURPOSES, YOU AGREE NOT TO DISCLOSE TO OTHERS THE IDEAS, INFORMATION, OR DESIGNS SHOWN HEREIN, AND THAT YOU WILL MAKE NO USE OF SAME WITHOUT PERMISSION		MATERIAL: <b>SEE COMPONENTS</b>			TITLE: <b>23" SPACER KIT FOR IFRAME</b>
			DRAWN BY: <b>MABBY 06/27/16</b>		SIZE: <b>C</b>	DRAWING NO.: <b>HWS12112C</b>
			CHECKED BY:		SCALE: <b>N/A</b>	REV. <b>1</b>
		APPROVED BY:		SHEET <b>1</b> OF <b>1</b>		

REV.	ECN	DATE	DESCRIPTION	CHG BY	APPD BY
1	21405	06/28/16	INITIAL RELEASE	MMA	DO