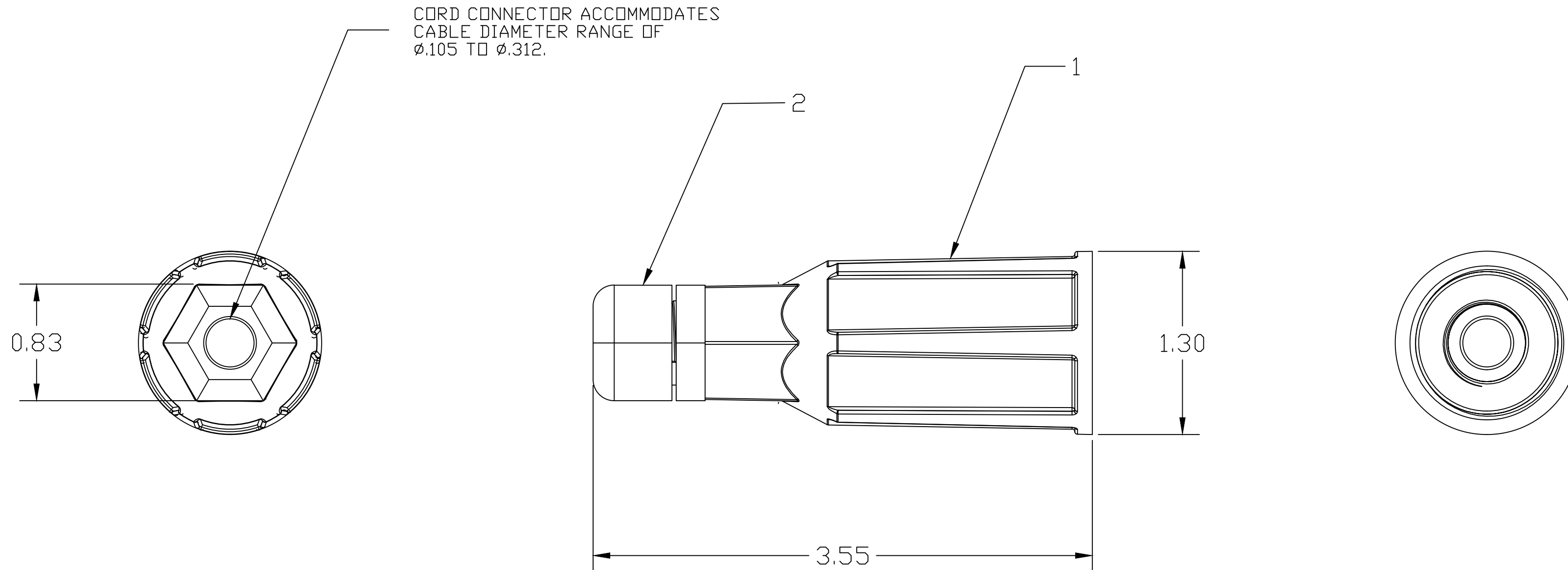



ITEM NO.	DESCRIPTION	QTY.
1	COUPLER HOUSING	1
2	CORD CONNECTOR	1
3	HIC, PROTECTIVE CAP(NOT SHOWN)	1

CATALOG NUMBER	COLOR	DESCRIPTION
HICH	BLACK	COUPLER HOUSING



NOTES:

1. U/L LISTED.
2. C-UL LISTED.
3. COUPLER HOUSING CONSTRUCTED FROM VALDX PBT.
4. CORD CONNECTOR CONSTRUCTED FROM NYLON 6/6 WITH BUNA "N" GLAND.
5. SPECIFICATIONS SUBJECT TO CHANGE WITHOUT NOTICE.

Created on AUTOCAD	DIMENSIONING AND TOLERANCE PER ANSI Y14.5M-1982 UNLESS OTHERWISE SPECIFIED, DIMENSIONS ARE IN INCHES (MM). TOLERANCES .XX = ±.01 (.25) .XXX = ±.005 (.127) .XXXX = ±.0025 (.0635) ANGLE TOL ±1°		PROJECT REFERENCE: 2004-147		 <b>Hubbell Premise Wiring</b> HUBBELL INCORPORATED (Delaware) 14 Lord's Hill Road, Stonington, Connecticut 06378				
	IN ACCEPTING OUR DRAWINGS, BLUEPRINTS, OR SUPPORTING DOCUMENTATION FOR QUOTATION OR OTHER PURPOSES, YOU AGREE NOT TO DISCLOSE TO OTHERS THE IDEAS, INFORMATION, OR DESIGNS SHOWN HEREIN, AND THAT YOU WILL MAKE NO USE OF SAME WITHOUT PERMISSION		DRAWN BY: D.O'CONNOR 5/7/08			TITLE: HI IMPACT COUPLER HSG.			
REV.		ECN	DATE	DESCRIPTION	CHG BY	APPD BY	SIZE	DRAWING NO.	REV.
B	17056	4/14/11	ADDED HIC TO PRODUCT	DPO			C	HWS12121C	B
SCALE:		1/1		SHEET		1 OF 1			