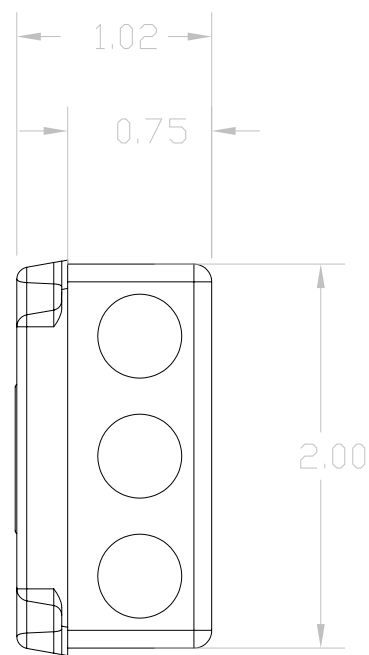
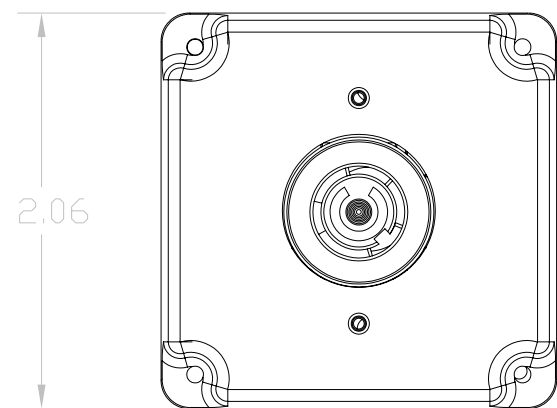


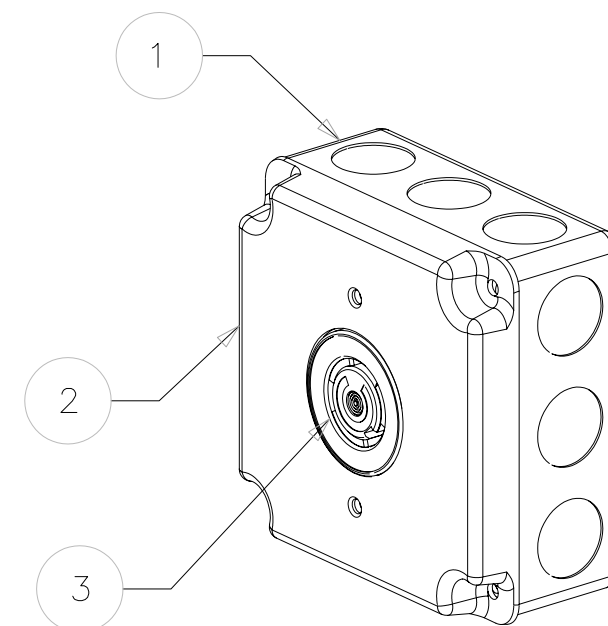
CATALOG NUMBER	DESCRIPTION
ICKP20	POWER KIT WITH TWIST LOCK RECEPTACLE
ICKP20IG	POWER KIT W/ ISOLATED GROUND TWIST LOCK RECEPTACLE

ITEM NO.	DESCRIPTION	QTY.
1	4" SQUARE BOX	1
2	4" FACE PLATE	1
3	TWIST LOCK RECEPTACLE	1
4	1/4-20 X 3/4 PHILLIPS SCREW	2
5	1/4-20 LOCK NUT	2
6	INSTRUCTION SHEET	1




NOTES:

- SCOPE: USED TO PROVIDE POWER TO THE IFRAME.
- ALL ITEMS ARE SHIPPED UNASSEMBLED.
- UL LISTED COMPONENTS:
4" SQUARE BOX
4" FACE PLATE
TWIST LOCK RECEPTACLE
- SPECIFICATIONS SUBJECT TO CHANGE WITHOUT NOTICE.



A	5843	06/07/06	INITIAL RELEASE	MMA	
REV.	ECN	DATE	DESCRIPTION	CHG BY	APPD BY

Created on AUTOCAD	DIMENSIONING AND TOLERANCE PER ANSI Y14.5M-1982 UNLESS OTHERWISE SPECIFIED, DIMENSIONS ARE IN INCHES (MM). TOLERANCES .XX = ±.01 (.25) .XXX = ±.005 (.127) .XXXX = ±.0025 (.0635) ANGLE TOL ±1°		PROJECT REFERENCE:		 Hubbell Premise Wiring HUBBELL INCORPORATED (Delaware) 14 Lord's Hill Road, Stonington, Connecticut 06378
	IN ACCEPTING OUR DRAWINGS, BLUEPRINTS, OR SUPPORTING DOCUMENTATION FOR QUOTATION OR OTHER PURPOSES, YOU AGREE NOT TO DISCLOSE TO OTHERS THE IDEAS, INFORMATION, OR DESIGNS SHOWN HEREIN, AND THAT YOU WILL MAKE NO USE OF SAME WITHOUT PERMISSION		MATERIAL:		
			DRAWN BY: M. ABBY 06/07/06		TITLE: IFRAME POWER KIT
			CHECKED BY:		SIZE B DRAWING NO. HWS12134C REV. A SCALE: 3/4 SHEET 1 OF 1