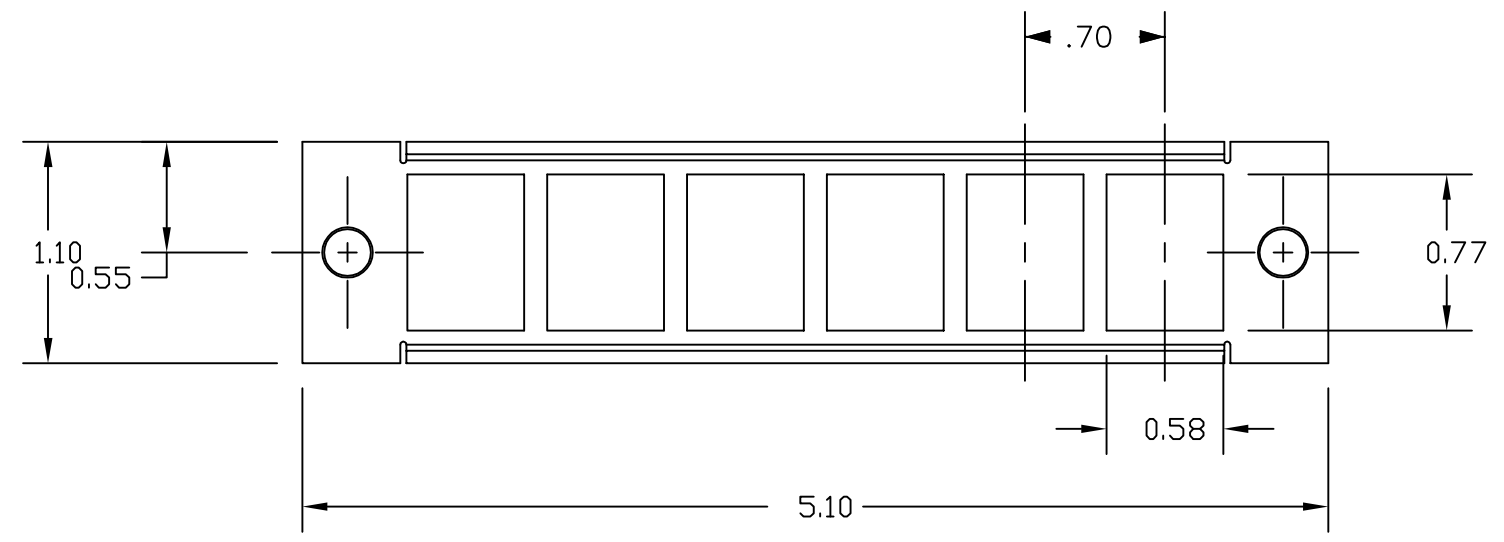
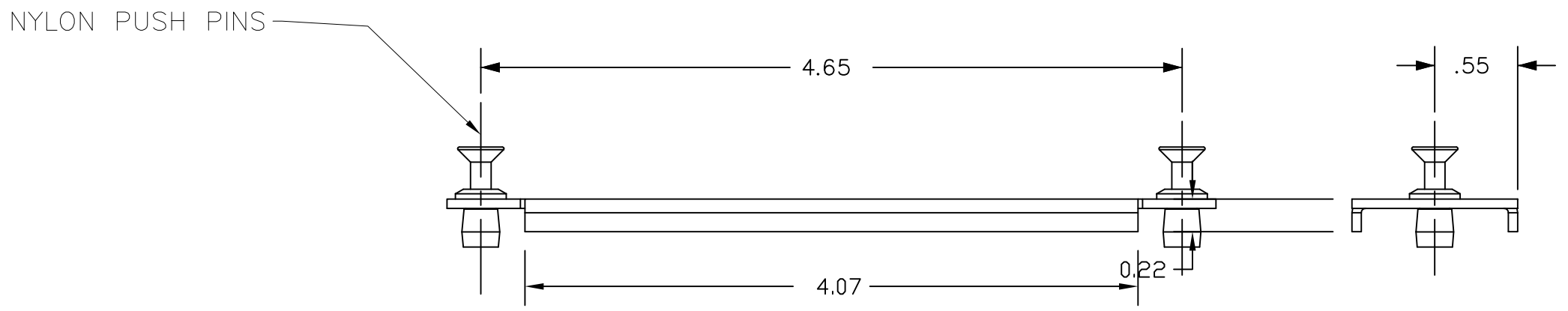
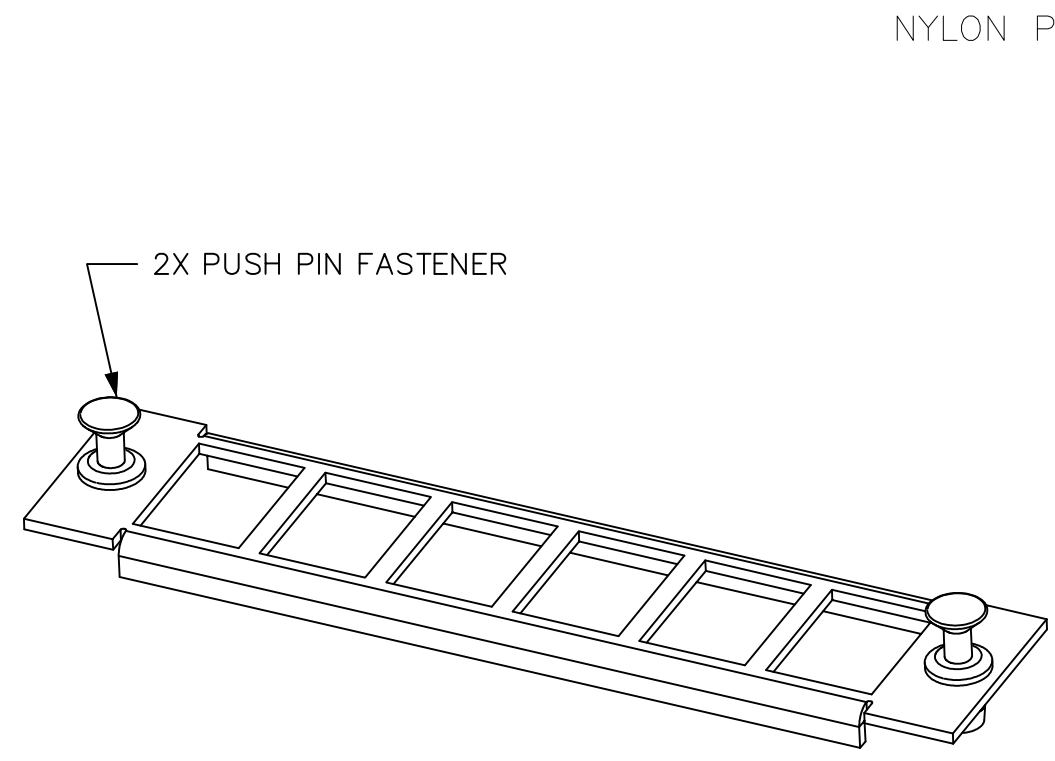


6 5 4 3 2 1


CATALOG NUMBER	DESCRIPTION
FSPHD6X	MODULE, FSP, 6 JACK



NOTES:

1. ACCEPTS SF SERIES SNAPPITS AND HUBBELL DATA JACKS.
2. FOR USE WITH FCR,FTR,FCW,FTU,FPR3SP AND NSOFSB BRACKET.
3. SPECIFICATIONS SUBJECT TO CHANGE WITHOUT NOTICE.

A	5950	08/31/06	INITIAL_RELEASE	NJR	
REV.	ECN	DATE	DESCRIPTION	CHG BY	APPD BY

Created on AUTOCAD	DIMENSIONING AND TOLERANCE PER ANSI Y14.5M-1982 UNLESS OTHERWISE SPECIFIED, DIMENSIONS ARE IN INCHES (MM). TOLERANCES .XX = ±.01 (.25) .XXX = ±.005 (.127) .XXXX = ±.0025 (.0635) ANGLE TOL ±1°		PROJECT REFERENCE: 2004-181		 <b>Hubbell Premise Wiring</b> HUBBELL INCORPORATED (Delaware) 14 Lord's Hill Road, Stonington, Connecticut 06378	
	IN ACCEPTING OUR DRAWINGS, BLUEPRINTS, OR SUPPORTING DOCUMENTATION FOR QUOTATION OR OTHER PURPOSES, YOU AGREE NOT TO DISCLOSE TO OTHERS THE IDEAS, INFORMATION, OR DESIGNS SHOWN HEREIN, AND THAT YOU WILL MAKE NO USE OF SAME WITHOUT PERMISSION		MATERIAL: BRACKET:_18_GAGE COLD_ROLL_STEEL BLACK_POWDER_COAT			
			DRAWN BY: N_RICHARDS_08_25_06		TITLE: MODULE, FSP, 6 JACK	
			CHECKED BY:  APPROVED BY:		SIZE <b>B</b>	DRAWING NO. <b>HWS12415C</b>
				SCALE: N/A	SHEET 1 OF 1	