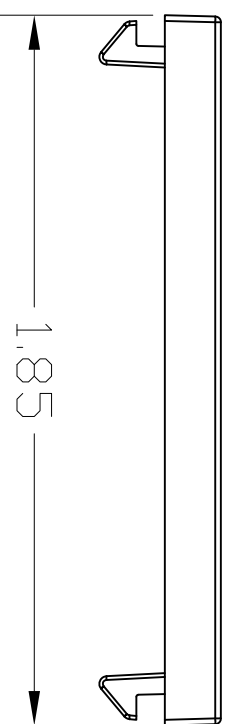
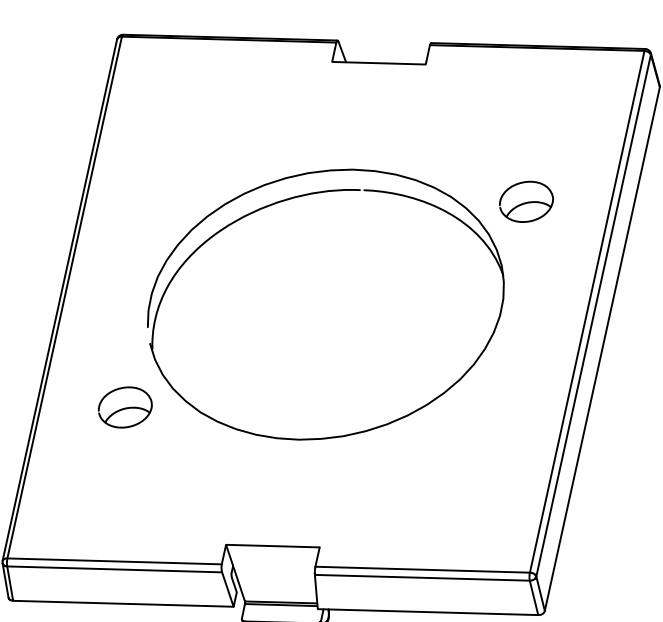
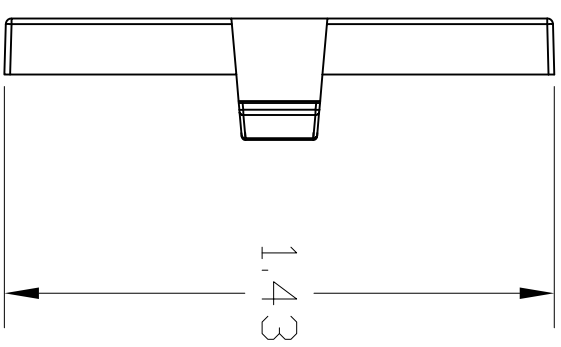
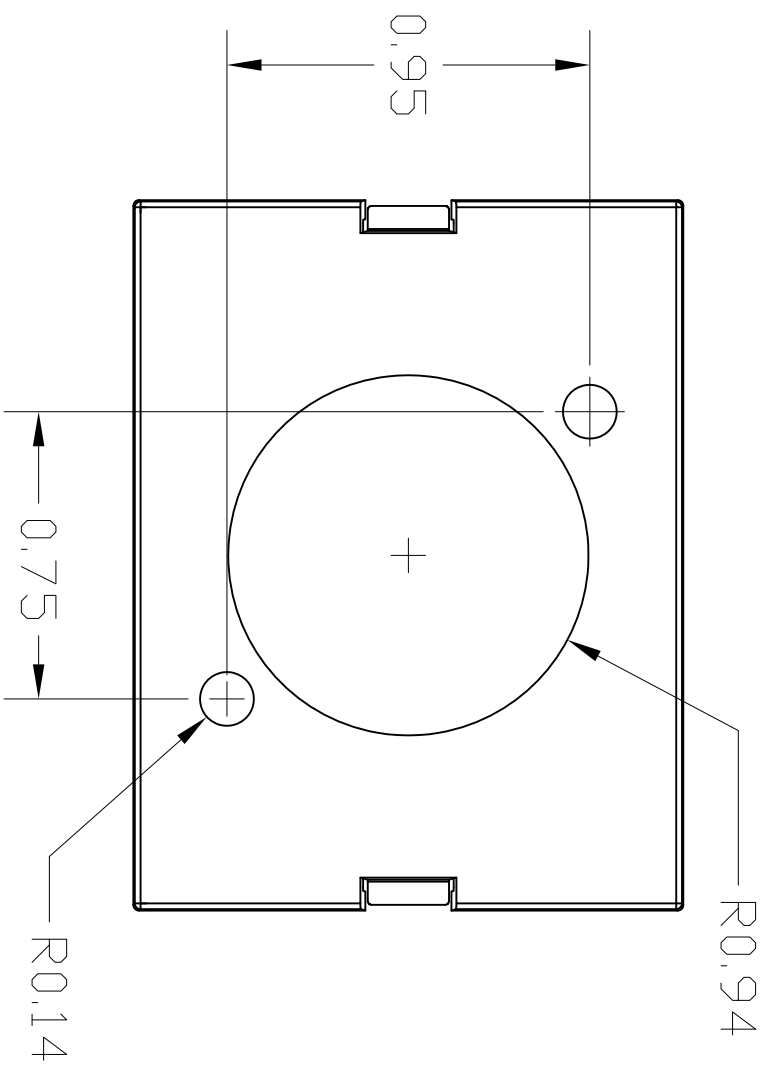


ITEM NO.	DESCRIPTION	QTY.
1	1.5 UNIT BLANK A/V MODULE (PANEL MOUNT)	10
2	INSTRUCTION SHEET	1

CATALOG NUMBER	COLOR	DESCRIPTION
IMAVB150W	OFFICE WHITE	INFINEMODULE, 1.5U, A/V BLANK
IMAVB15W	WHITE	INFINEMODULE, 1.5U, A/V BLANK
IMAVB15BK	BLACK	INFINEMODULE, 1.5U, A/V BLANK
IMAVB15GY	GRAY	INFINEMODULE, 1.5U, A/V BLANK
IMAVB15EI	ELECTRIC IVORY	INFINEMODULE, 1.5U, A/V BLANK
IMAVB15AL	ALMOND	INFINEMODULE, 1.5U, A/V BLANK
IMAVB15LA	LIGHT ALMOND	INFINEMODULE, 1.5U, A/V BLANK



- NOTES**
1. SOLD IN PACKAGES OF TEN ONLY.
 2. ITEM NO.2 (P/N: HWS774458) NOT SHOWN.
 3. COMPATIBLE WITH ALL HPW CONNECTORS DESIGNATED AS "PANEL MOUNT".
 4. SPECIFICATIONS SUBJECT TO CHANGE WITHOUT NOTICE.

REV.	ECN	DATE	DESCRIPTION	CHG BY	APPD BY
B	17072	05/11/11	CORRECT DIM. SCALE	MMA	

Created on AUTOCAD

DIMENSIONING AND TOLERANCE PER ANSI Y14.5M-1982 UNLESS OTHERWISE SPECIFIED, DIMENSIONS ARE IN INCHES (MM). TOLERANCES
 .XX = ±.01 (.25)
 .XXX = ±.005 (.127)
 .XXXX = ±.0025 (.0635)
 ANGLE TOL ±1°

PROJECT REFERENCE: 2005-020

MATERIAL:

DRAWN BY: C. GRIBBLE 5/22/06

CHECKED BY:

APPROVED BY:

HUBBELL **Hubbell Premise Wiring**
 HUBBELL INCORPORATED (Delaware)
 14 Lord's Hill Road, Stonington, Connecticut 06378

TITLE: INFINEMODULE, 1.5U AV BLANK (PANEL MOUNT)

SIZE: C **DRAWING NO.:** HWS12419C **REV.:** B

SCALE: N/A **SHEET:** 1 OF 1