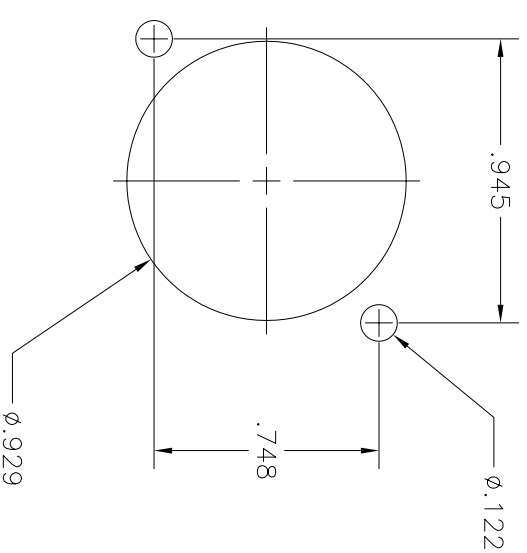
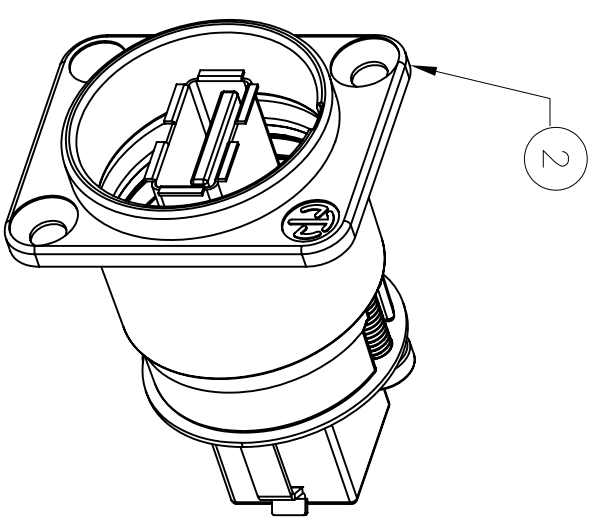
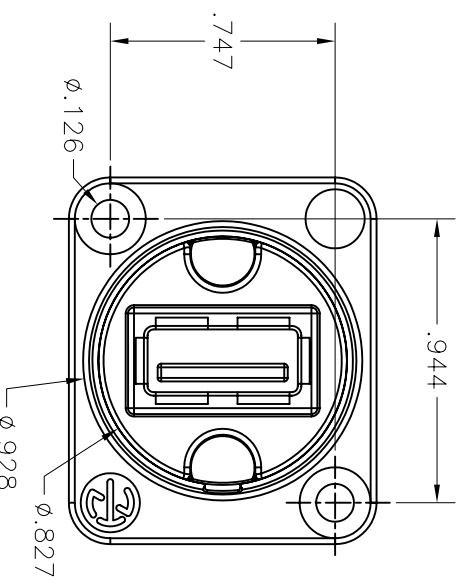
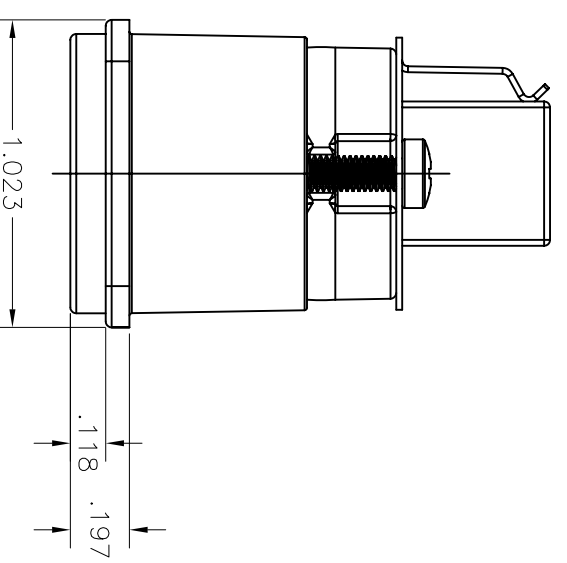
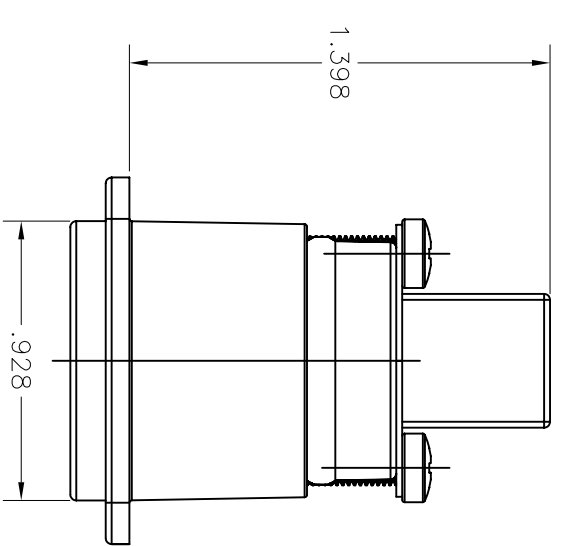


ITEM NO.	DESCRIPTION	QTY.
1	FLAT HEAD SCREW (NOT SHOWN)	20
2	CONNECTOR	10
3	HEX NUT WITH TOOTH WASHER (NOT SHOWN)	20

CATALOG #	DESCRIPTION
USB10	USB FEED THRU. CONNECTOR



PANEL CUT OUT



- NOTES:  
UNLESS OTHERWISE SPECIFIED:
- SPECIFICATIONS SUBJECT TO CHANGE WITHOUT NOTIFICATION.
  - SOLD IN QTY OF 10 PER BAG.
  - SUGGESTED PRECISION NUT DRIVER USED FOR INSTALLATION REF, WIHA 265 SERIES NUT DRIVER.

REV.	ECN	DATE	DESCRIPTION	CHG BY	APPD BY
B	6622	7/10/09	UPDATED CONNECTOR TO NEW DESIGN	CG	

Created on AUTOCAD		DIMENSIONING AND TOLERANCE PER ANSI Y14.5M-1982 UNLESS OTHERWISE SPECIFIED, DIMENSIONS ARE IN INCHES (MM). TOLERANCES .XX = ±.01 (.25) .XXX = ±.005 (.127) .XXXX = ±.0025 (.0635) ANGLE TOL. ±1°	
PROJECT REFERENCE: <b>2005-20</b>		IN ACCEPTING OUR DRAWINGS, BLUEPRINTS, OR SUPPORTING DOCUMENTATION FOR QUOTATION OR OTHER PURPOSES, YOU AGREE NOT TO DISCLOSE TO OTHERS THE IDEAS, INFORMATION, OR DESIGNS SHOWN HEREIN, AND THAT YOU WILL MAKE NO USE OF SAME WITHOUT PERMISSION	
MATERIAL: DRAWN BY: C. JOHNSTON 6/20/06		CHECKED BY: G. KIERSTED 7/5/06	
APPROVED BY: G. KIERSTED 7/5/06		TITLE: <b>USB10 PANEL MOUNT CONNECTOR</b> GENDER CHANGER - TYPE A TO TYPE B	
SIZE: <b>C</b> SCALE: 1/1		DRAWING NO.: <b>HWS12432C</b> SHEET 1 OF 1	
HUBBELL <b>Hubbell Premise Wiring</b> HUBBELL INCORPORATED (Delaware) 14 Lord's Hill Road, Stonington, Connecticut 06378		REV.: <b>B</b>	