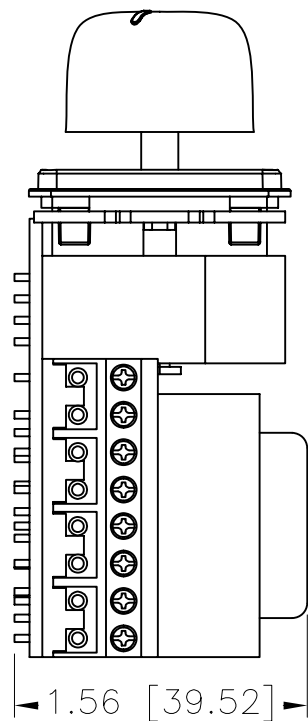
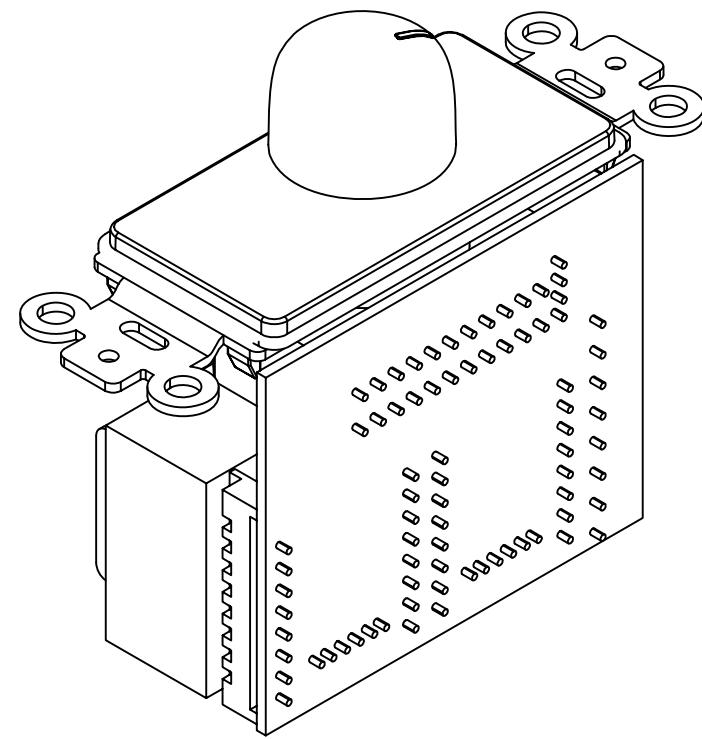
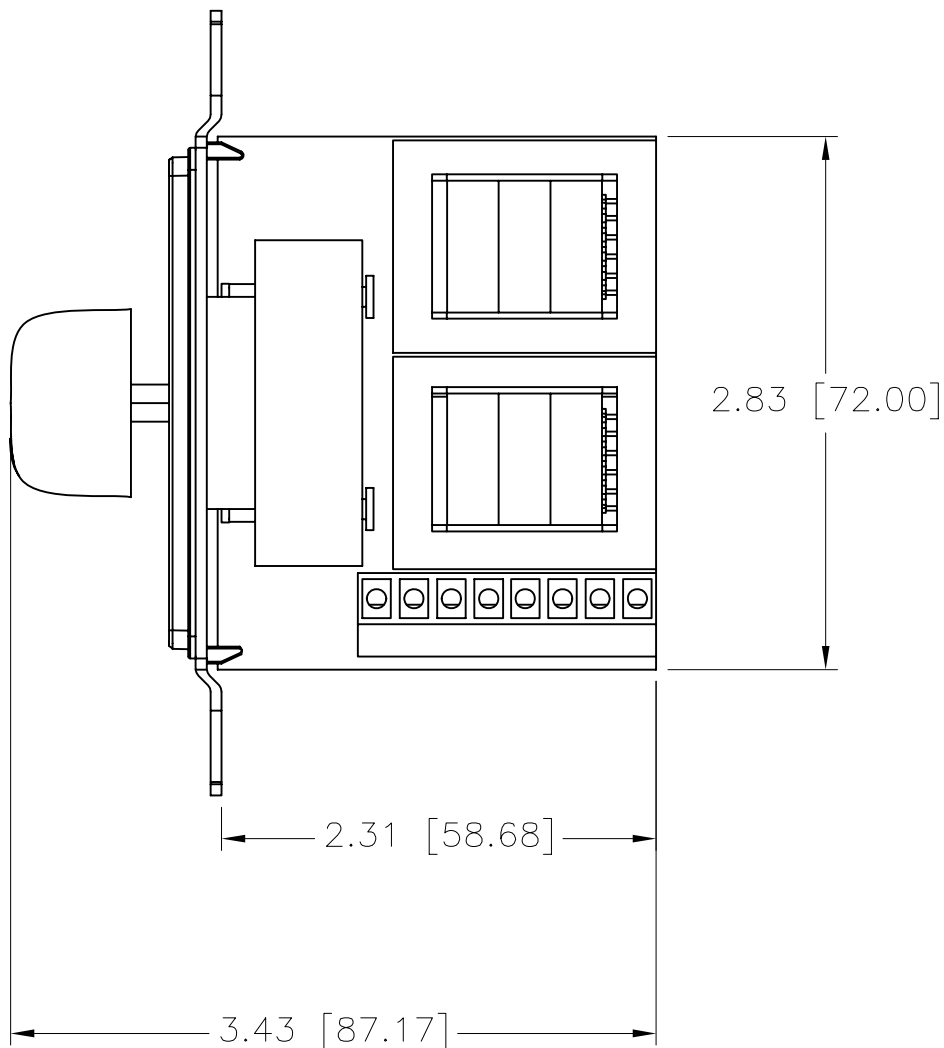
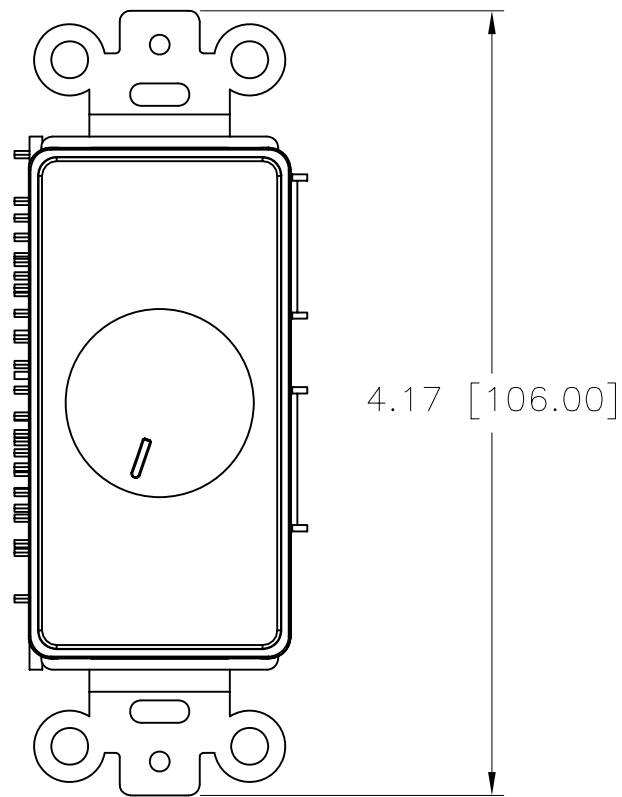



ITEM NO.	DESCRIPTION	QTY.
NSORAVC	ROTARY VOLUME CONTROL	1



NOTES:

1. POWER RATING: 70W(RMS); 200W(MUSIC POWER).
2. FREQUENCY RESPONSE: 30Hz-20KHz -2dB.
3. ATTENUATION STEPS = 12.
4. MAX ATTENUATION = -42dB.
5. ACCEPTS WIRE SIZES 22-14 AWG.
6. SYSTEM: STEREO
7. IMPEDENCE COMPENSATION FOR 2, 4, AND 8 PAIRS OF SPEAKERS.
8. PRODUCT IS cULus LISTED.
9. PRODUCT CONTAINS MOUNTING SCREWS, WHITE AND IVORY COMPONENTS, AND INSTRUCTION SHEET.

Created on AUTOCAD	DIMENSIONING AND TOLERANCE PER ANSI Y14.5M-1982 UNLESS OTHERWISE SPECIFIED, DIMENSIONS ARE IN INCHES (MM). TOLERANCES .XX = ±.01 (.25) .XXX = ±.005 (.127) .XXXX = ±.0025 (.0635) ANGLE TOL ±1'		PROJECT REFERENCE: 2004-181		 Hubbell Premise Wiring HUBBELL INCORPORATED (Delaware) 14 Lord's Hill Road, Stonington, Connecticut 06378	
			MATERIAL: N/A			
	IN ACCEPTING OUR DRAWINGS, BLUEPRINTS, OR SUPPORTING DOCUMENTATION FOR QUOTATION OR OTHER PURPOSES, YOU AGREE NOT TO DISCLOSE TO OTHERS THE IDEAS, INFORMATION, OR DESIGNS SHOWN HEREIN, AND THAT YOU WILL MAKE NO USE OF SAME WITHOUT PERMISSION		DRAWN BY: NATE HERRING 7/21/06		TITLE: netSELECT ROTARY VOLUME CONTROL	
			CHECKED BY:		SIZE: B DRAWING NO. HWS12442C REV. A	
		APPROVED BY:		SCALE: 1:1 SHEET 1 OF 1		

REV.	ECN	DATE	DESCRIPTION	CHG BY	APPD BY
A	5888	7/21/06	INITIAL RELEASE	NLH	