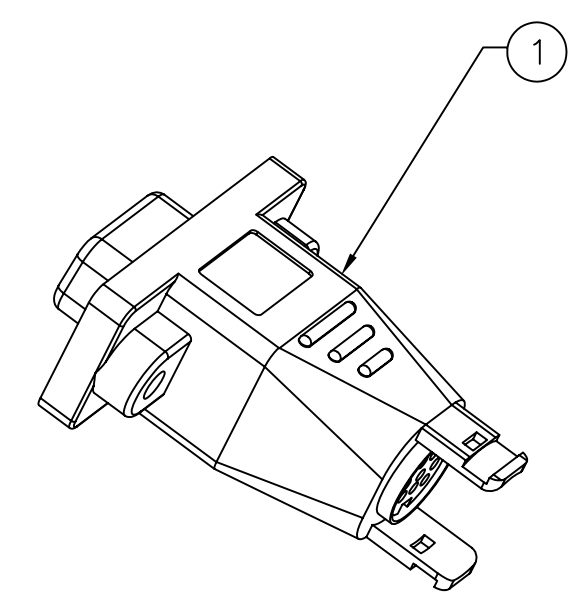
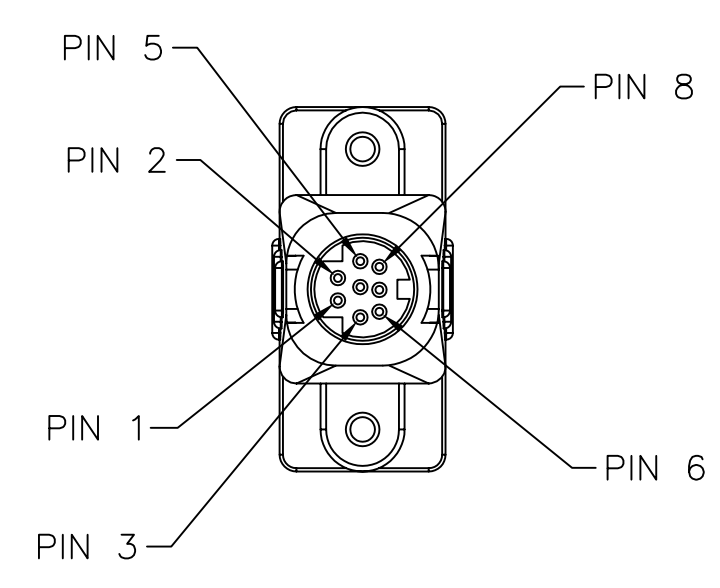
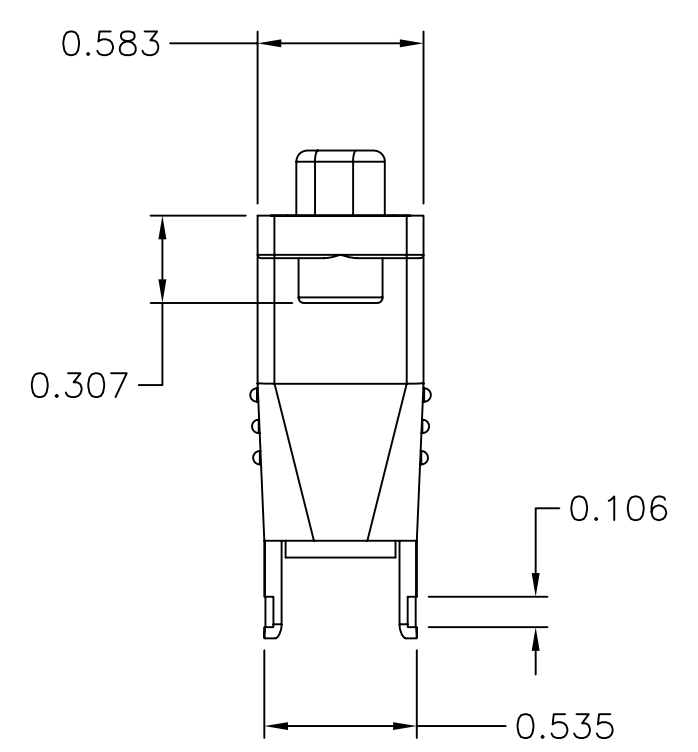
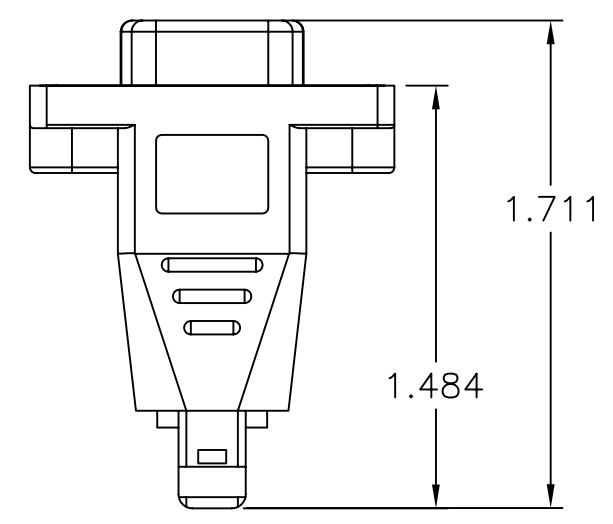
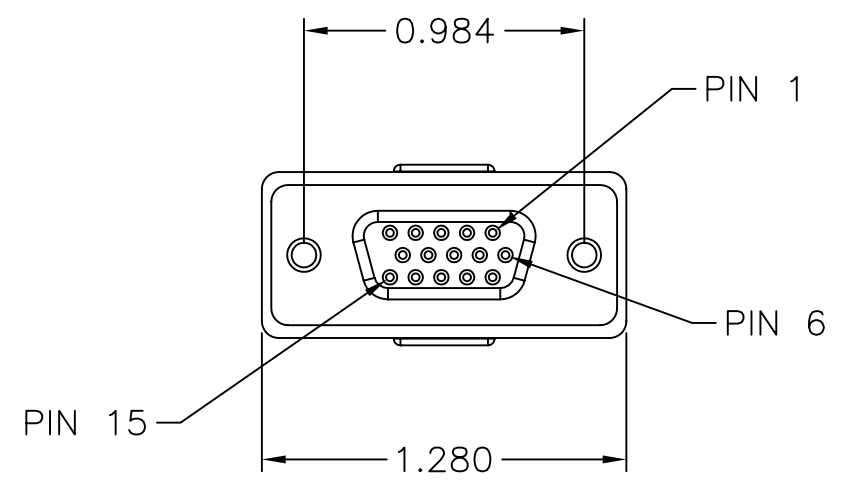


ITEM NO.	DESCRIPTION	QTY.
1	15-PIN TO 8-PIN CONNECTOR	10
2	HEX STAND OFF SCREWS (NOT SHOWN)	20


CATALOG NUMBER	DESCRIPTION
15S6P10	VGA 15-PIN TO 8-PIN CONNECTOR, 10 PACK
15S6P1	VGA 15-PIN TO 8-PIN CONNECTOR



PIN OUT DETAIL

15-PIN FEMALE	8-PIN FEMALE
1	6
2	7
3	8
6	
7	2
8	
13	3
14	5
12	1
15	4
5	
10	
SHELL	SHELL

- NOTES:
- CONTACTS: GOLD PLATED 2u".
 - 15-PIN CONNECTOR SIDE MOUNTS TO AN INFINeSTATION MODULE PLATE USING TWO HEX SCREWS (NOT SHOWN).
 - MOLDED IN SLOTS ON 8-PIN SIDE TO ACCOMMODATE A WIRE-TIE FOR ADDED STRAIN RELIEF, IF DESIRED.
 - FOR USE WITH VIDEO DISTRIBUTION DEVICES SUCH AS PROJECTORS, CAMERAS, AND COMPUTERS.
 - CONNECTOR AND MOUNTING HARDWARE SOLD IN SINGLE PACKS OR IN PACKAGES OF 10.
 - SPECIFICATIONS SUBJECT TO CHANGE WITHOUT PRIOR NOTIFICATION.

Created on AUTOCAD	DIMENSIONING AND TOLERANCE PER ANSI Y14.5M-1982 UNLESS OTHERWISE SPECIFIED, DIMENSIONS ARE IN INCHES (MM). TOLERANCES .XX = ±.01 (.25) .XXX = ±.005 (.127) .XXXX = ±.0025 (.0635) ANGLE TOL ±1°		PROJECT REFERENCE: 2005-020		 Hubbell Premise Wiring HUBBELL INCORPORATED (Delaware) 14 Lord's Hill Road, Stonington, Connecticut 06378
			MATERIAL: SEE NOTES		
			DRAWN BY: C. DUSSAULT 10/5/06		TITLE: VGA CONNECTOR 15-PIN FEMALE TO 8-PIN FEMALE CONNECTOR
			CHECKED BY:		SIZE: C DRAWING NO.: HWS12457C REV.: B
		APPROVED BY:		SCALE: N/A SHEET 1 OF 1	

REV.	ECN	DATE	DESCRIPTION	CHG BY	APPD BY
B	6130	6/19/07	ADDED 15S6P1 CATALOG NUMBER	CD	