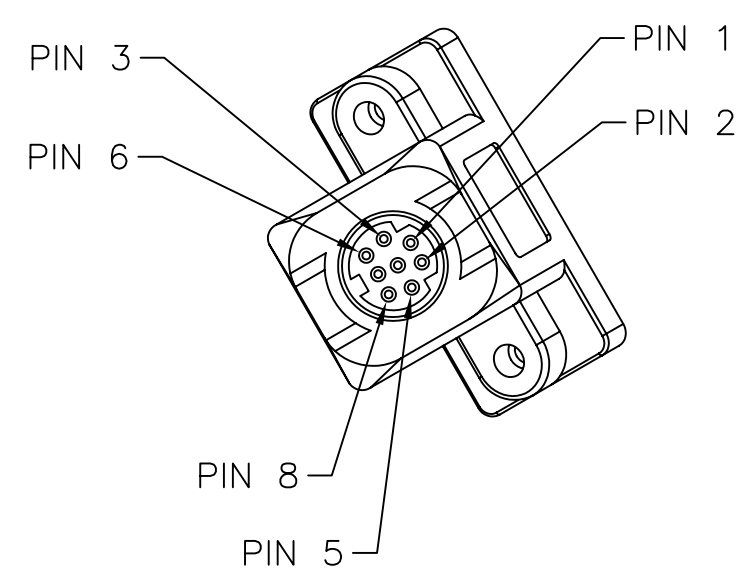
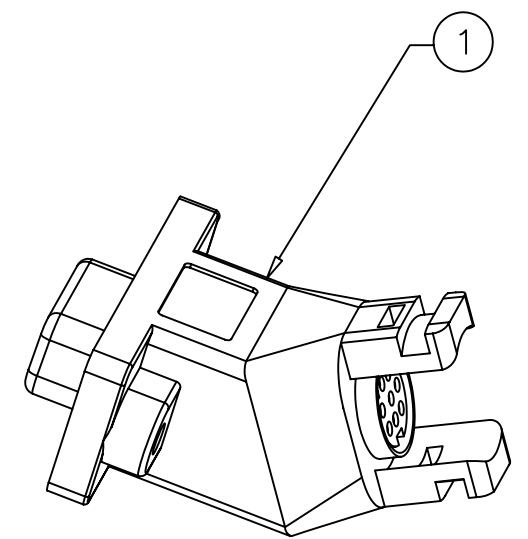
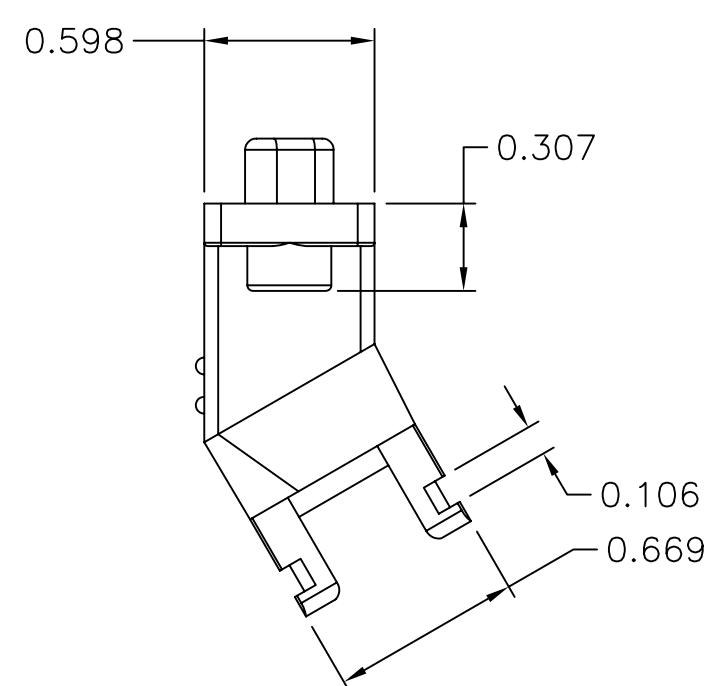
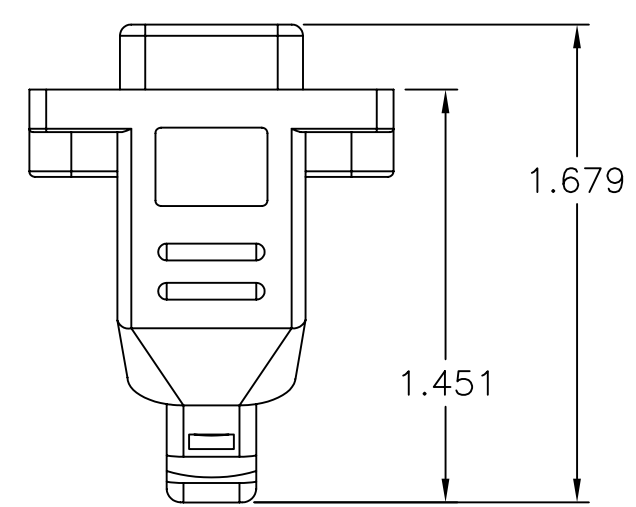
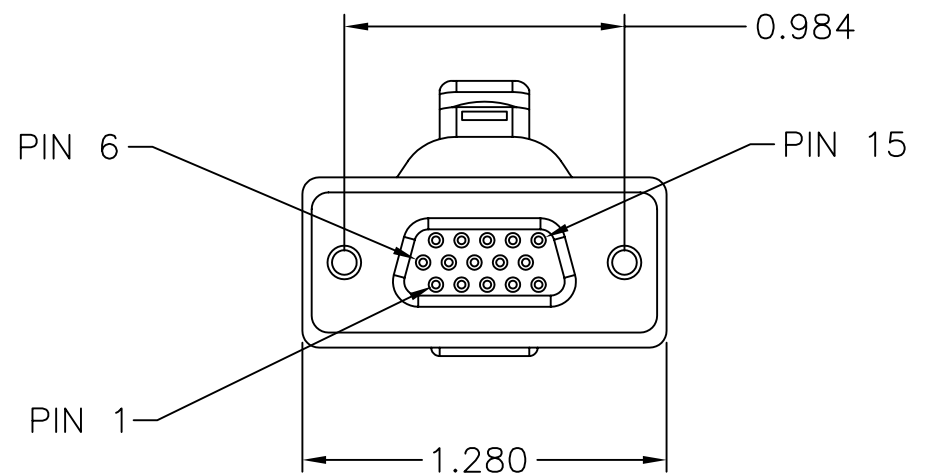


6	5	4	3	2	1
ITEM NO.	DESCRIPTION	QTY.	CATALOG NUMBER	DESCRIPTION	
1	15-PIN TO 8-PIN ANGLED CONNECTOR	10	15A6P10	VGA 15-PIN TO 8-PIN ANGLED CONNECTOR, 10 PACK	
2	HEX STAND OFF SCREWS (NOT SHOWN)	20	15A6P1	VGA 15-PIN TO 8-PIN ANGLED CONNECTOR	




PIN OUT DETAIL

15-PIN FEMALE	8-PIN FEMALE
1	6
2	7
3	8
6	
7	2
8	
13	3
14	5
12	1
15	4
5	
10	
SHELL	SHELL

NOTES:

- CONTACTS: GOLD PLATED 2u".
- 15-PIN CONNECTOR SIDE MOUNTS TO AN INFIneSTATION MODULE PLATE USING TWO HEX SCREWS (NOT SHOWN).
- MOLDED IN SLOTS ON 8-PIN SIDE TO ACCOMMODATE A WIRE-TIE FOR ADDED STRAIN RELIEF, IF DESIRED.
- FOR USE WITH VIDEO DISTRIBUTION DEVICES SUCH AS PROJECTORS, CAMERAS, AND COMPUTERS.
- CONNECTOR AND MOUNTING HARDWARE SOLD IN SINGLE PACKS OR IN PACKAGES OF 10.
- SPECIFICATIONS SUBJECT TO CHANGE WITHOUT PRIOR NOTIFICATION.

Created on AUTOCAD	DIMENSIONING AND TOLERANCE PER ANSI Y14.5M-1982 UNLESS OTHERWISE SPECIFIED, DIMENSIONS ARE IN INCHES (MM). TOLERANCES .XX = ±.01 (.25) .XXX = ±.005 (.127) .XXXX = ±.0025 (.0635) ANGLE TOL ±1°		PROJECT REFERENCE: 2005-020		 Hubbell Premise Wiring HUBBELL INCORPORATED (Delaware) 14 Lord's Hill Road, Stonington, Connecticut 06378
	IN ACCEPTING OUR DRAWINGS, BLUEPRINTS, OR SUPPORTING DOCUMENTATION FOR QUOTATION OR OTHER PURPOSES, YOU AGREE NOT TO DISCLOSE TO OTHERS THE IDEAS, INFORMATION, OR DESIGNS SHOWN HEREIN, AND THAT YOU WILL MAKE NO USE OF SAME WITHOUT PERMISSION		MATERIAL: SEE NOTES		
		DRAWN BY: C. DUSSAULT 10/4/06		TITLE: VGA CONNECTOR 15-PIN FEMALE TO 8-PIN FEMALE ANGLED CONNECTOR	
		CHECKED BY:		SIZE: C DRAWING NO.: HWS12458C	
		APPROVED BY:		REV. B	
				SCALE: N/A SHEET 1 OF 1	

B	6130	6/19/07	ADDED 15A6P1 CATALOG NUMBER	CD	
REV.	ECN	DATE	DESCRIPTION	CHG BY	APPD BY