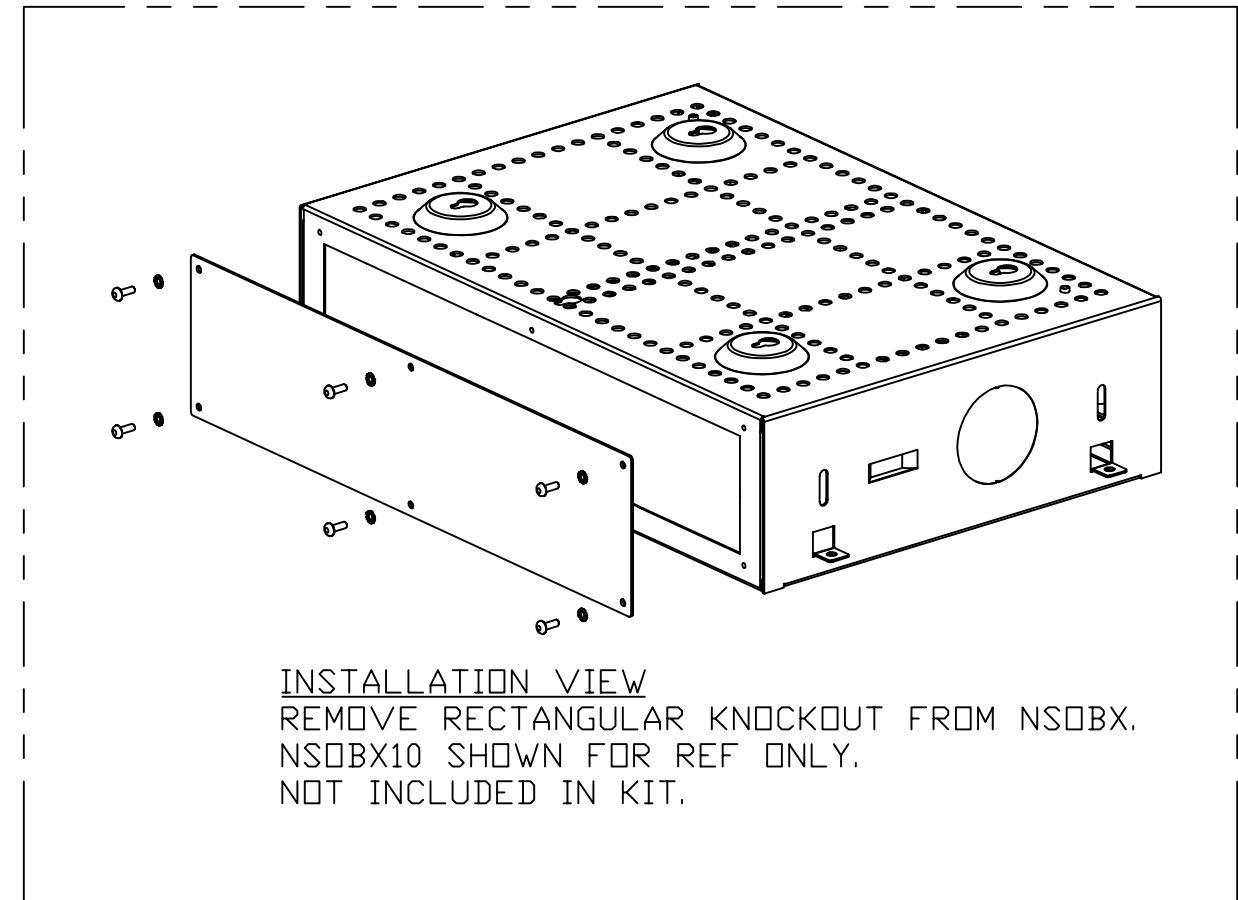
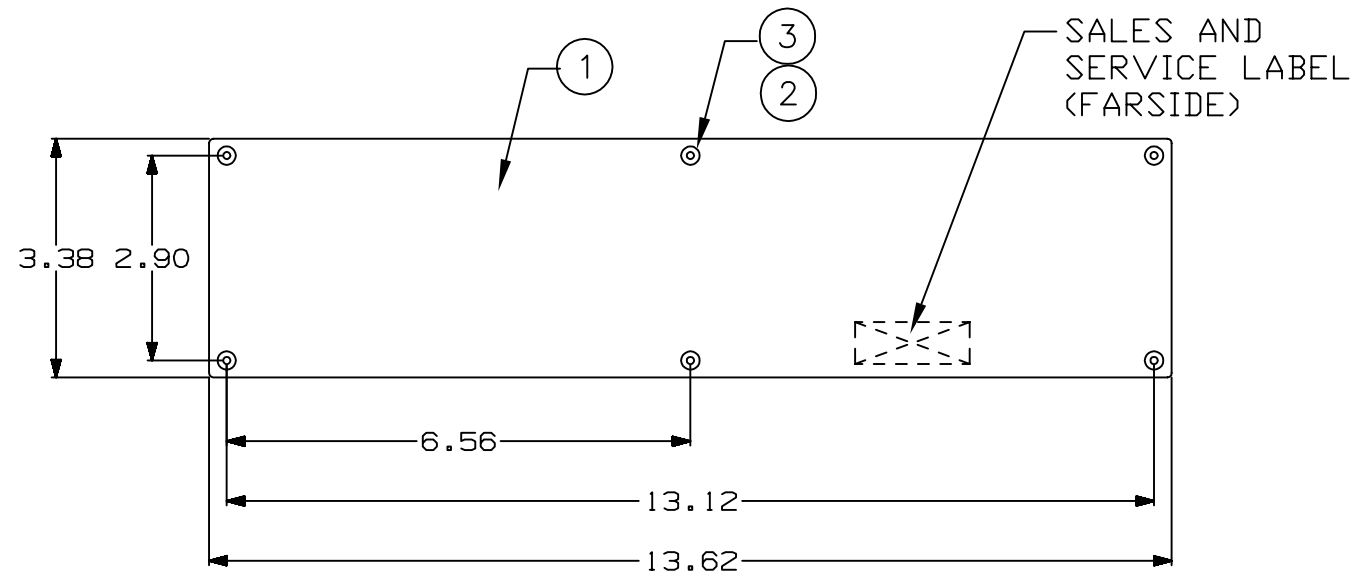



ITEM NO.	DESCRIPTION	QTY.
1	BLANK PANEL	1
2	WASHER #6 EXT TOOTH	6
3	SCREW 6-32	6

CATALOG NUMBER	DESCRIPTION
NSOPLT	BLANK PANEL COVER



NOTES:
1. SPECIFICATIONS SUBJECT TO CHANGE WITHOUT NOTICE.
2. COMPATIBLE WITH NSOBX SERIES PRODUCTS.

Created on AUTOCAD	DIMENSIONING AND TOLERANCE PER ANSI Y14.5M-1982 UNLESS OTHERWISE SPECIFIED, DIMENSIONS ARE IN INCHES (MM). TOLERANCES .XX = ±.01 (.25) .XXX = ±.005 (.127) .XXXX = ±.0025 (.0635) ANGLE TOL ±1°		PROJECT REFERENCE: 2007-017		 Hubbell Premise Wiring HUBBELL INCORPORATED (Delaware) 14 Lord's Hill Road, Stonington, Connecticut 06378		
	IN ACCEPTING OUR DRAWINGS, BLUEPRINTS, OR SUPPORTING DOCUMENTATION FOR QUOTATION OR OTHER PURPOSES, YOU AGREE NOT TO DISCLOSE TO OTHERS THE IDEAS, INFORMATION, OR DESIGNS SHOWN HEREIN, AND THAT YOU WILL MAKE NO USE OF SAME WITHOUT PERMISSION		MATERIAL: 18 Ga. COLD ROLLED STEEL			TITLE: BLANK PANEL KIT FOR NSOBX SERIES	
			DRAWN BY: B MARTINO 08/03/07		SIZE: B	DRAWING NO. HWS12556C	REV. A
			CHECKED BY:		SCALE: NONE	SHEET 1 OF 1	

REV.	ECN	DATE	DESCRIPTION	CHG BY	APPD BY
A	6095	08/05/07	INITIAL RELEASE	BTM	